

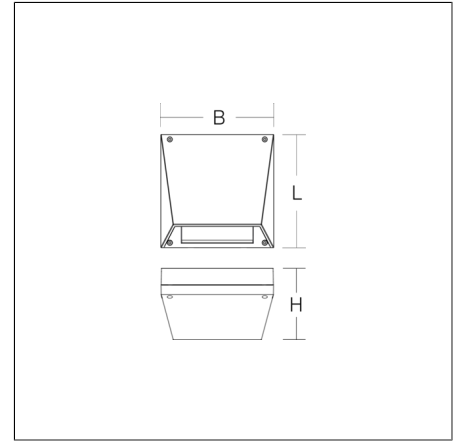
CENTRYXX W IP65plus

672141.992 | Stand-by luminaires for escape route illumination



Wall luminaires
4051859657286
L 117, B 190, H 190

Wall (surface)
white



Wall luminaire for escape route illumination. Housing: die-cast aluminium, powder-coated. Electronic ballast included. Self-contained system with automatic self-test. with battery heating.

Product specifications

Typ of emergency lighting	Self-contained system
Monitoring	Autotest
Battery	NiMh
Duration	3 h
Operating mode	non-maintained power mode
Length L	117 mm
Width B	190 mm
Height H	190 mm
Weight	2.1 kg
Light source	LED
Colour temperature	6500 K
Rated luminous flux, mains operation	320 lm
System power, mains operation	6,6 W
Rated luminous flux, emergency operation	350 lm
System efficiency	48 lm/W
Glare evaluation UGR (4H 8H)	43,2
Beam angle	down 87°/78°/18°/78° up 90°/90°/0°/90°
Colour rendering index (CRI)	70
Driver	Converter
Control	on/off
Voltage	230 V / 50 - 60 Hz
CIE Flux Code / CEN Flux Code	27 55 84 93 100
Type of protection	IP 65
Protection class	I
Filament test	960°C - 30 seconds
Impact resistance	IK07
Ambient temperature for maintained power	-20 °C ... + 30 °C
Ambient temperature for non-maintained power mode	-20 °C ... + 35 °C
Conformity mark	CE