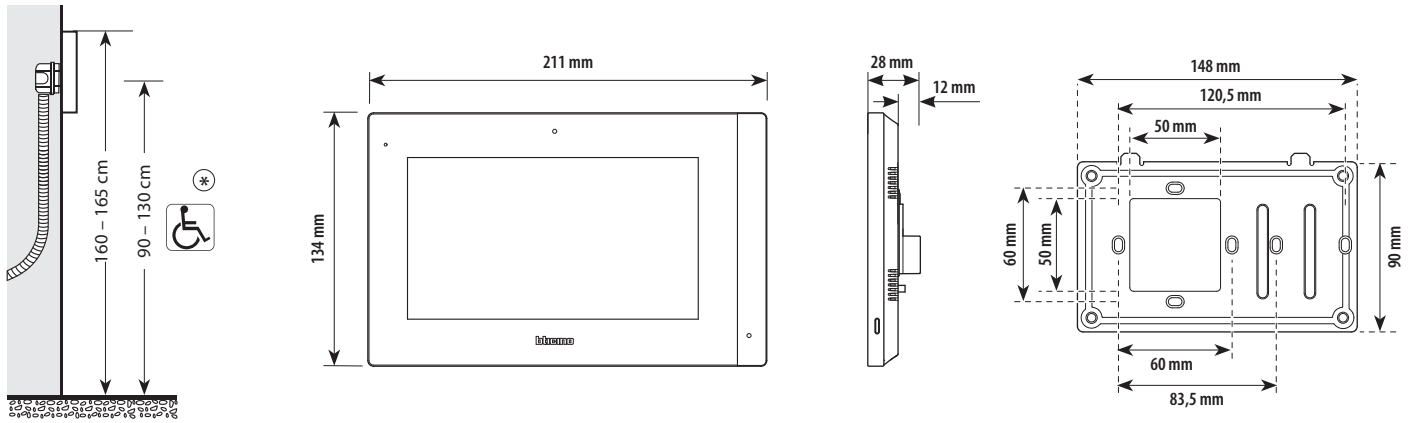
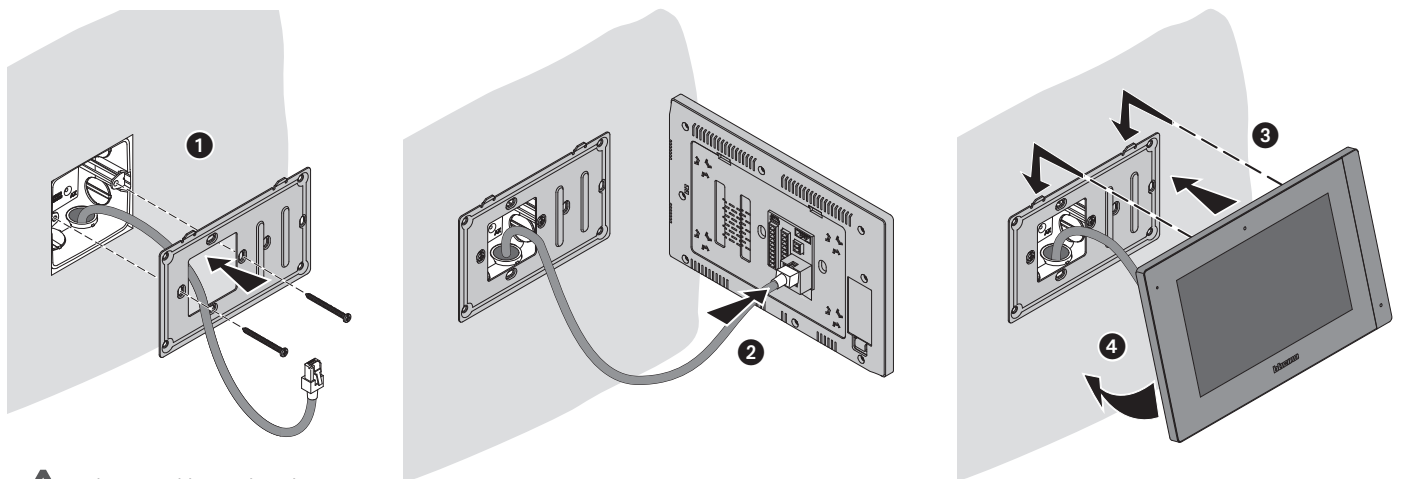


Dimensional data

* Recommended height, unless different regulations are specified.

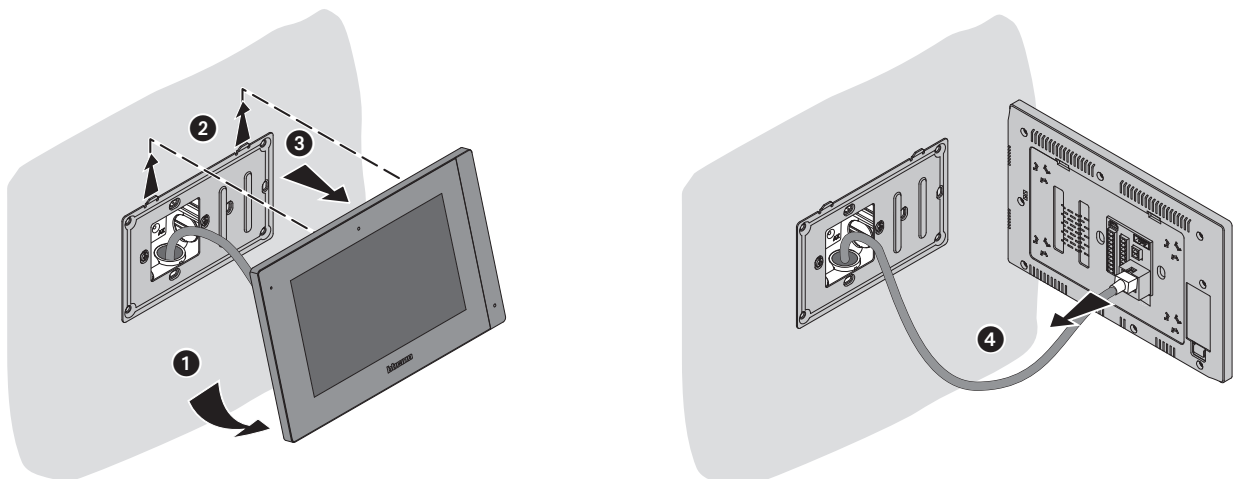


Installation

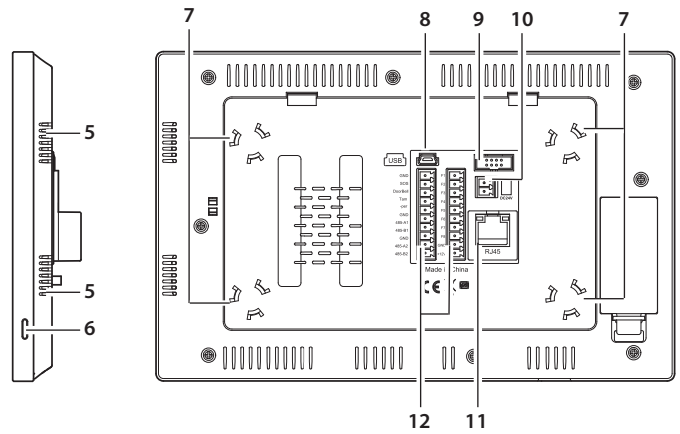
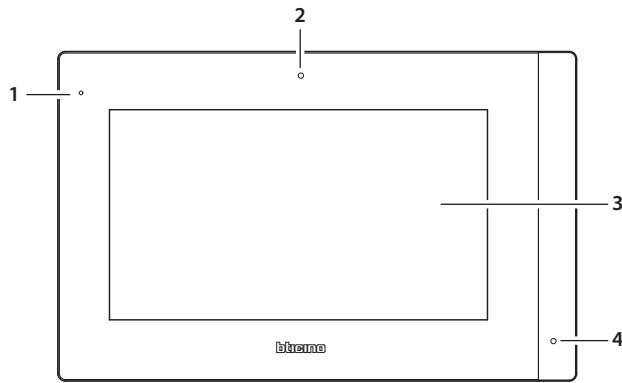


The RJ45 cable must be at least 200 mm long

Uninstall



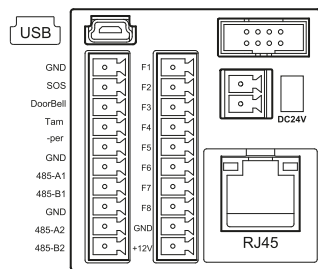
Front and rear view



- | | |
|----------------------------------------------------------------|-------------------------------------------------------|
| 1. Microphone | 7. Fixing magnets for bracket |
| 2. Camera(only 373002) | 8. USB Connector (not used) |
| 3. Display 7" (touch screen) | 9. Not used |
| 4. Notification LED
LED flashing= notification of a message | 10. Additional power supply clamps
(not polarized) |
| 5. Loudspeaker | 11. RJ45 Connector * |
| 6. SOS push button | 12. Connection clamp |



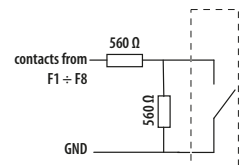
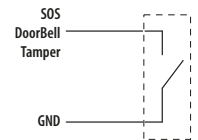
* This device does not support standard POE power supplies, but only POE power supplies identified with 375002. Connect the cat5/5e/6 FTP or cat5/5e/6 UTP cable with ferrite supplied to the connector.



Terminal	Function
SOS – GND	Additional SOS call
DoorBell – GND	Door bell call
Tamper – GND	Tamper
GND	future use
485-A1	
485-B1	
GND	
485-A2	
485-B2	

Connection clamps

Clamp	Function
F1 – GND	Infrared
F2 – GND	Magnetic contact
F3 – GND	Smoke sensor
F4 – GND	Gas sensor
F5 – GND	Water sensor
F6 – GND	Magnetic contact
F7 – GND	Magnetic contact
F8 – GND	SOS
+12V – GND	12Vdc, maximum 150 mA sensor power supply



All contacts must be connected to GND and the corresponding dedicated input.

The functions and wiring mode of the inputs are set by default as shown in the table and diagram, they can be customized using the software and/or straight from the device. Tamper and Doorbell input are not customizable and SOS-GND is disable by default.

Configuration

The device must be configured by software. For software download, installation device documentation and for any other information, refer to the website.



www.homesystems-legrandgroup.com

Technical data

Voltage	24 Vdc
Maximum consumption	0.55 A
Max. cable section for clamps	0.8 mm ²
Operating temperature	(- 10) – (+ 55)°C
IP degree of protection	IP30
Maximum relative humidity	93%
Wi-Fi frequency	2,4 – 2,4835 GHz; 5,150 – 5,350 GHz; 5,470 – 5,725GHz
Wi-Fi transmission power	< 20 dBm

Warnings and consumer rights



Read carefully before use and keep for future reference

- Touching the units with wet hands is forbidden
- Using liquid cleaners or aerosols is forbidden
- Blocking the ventilation openings is forbidden
- Modifying the devices is forbidden
- Removing protective parts from the devices is forbidden
- Installing the units near liquids and powders is forbidden
- Installing the units near heat sources is forbidden
- Installing the units near harmful gases, metal dusts or similar is forbidden
- Fastening the units on unsuitable surfaces is forbidden



Danger of electrical shock



Risk of devices falling because the surface on which they are installed collapses or inappropriate installation
Switch the power supply OFF before any work on the system

Caution: Installation, configuration, starting-up and maintenance must be performed exclusively by qualified personnel.



Check that the wall installation has been carried out correctly
Lay out the wires respecting the standards in force
Connect the power supply wires as indicated
Use only the items indicated in the technical specifications for any system expansions



Remote operation may cause damage to people or property.

Hereby, BTicino S.p.A., declares that the radio equipment type Indoor unit with camera 7" - 373002 / Indoor unit 7" - 373004 is in compliance with Directive 2014/53/EU.

The full text of the EU declaration of conformity is available at the following internet address: www.bticino.it/red