

# Product End-of-Life Instructions

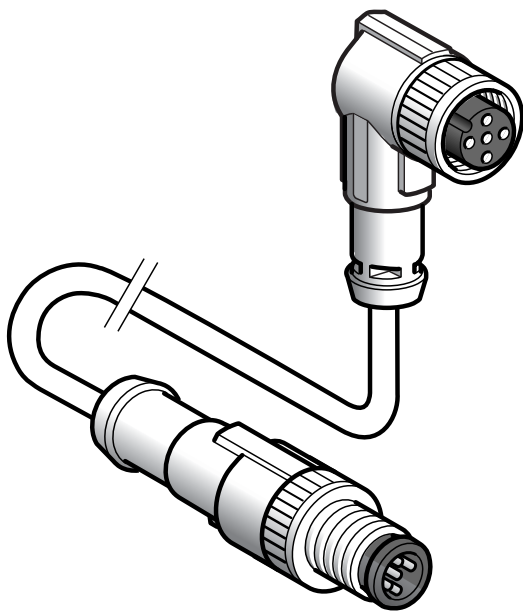
## Cordset

Product Range

Cordset

Marketing Model

XZCP and XZCR Cordsets



**Size in mm:**

L : 2000 for XZCR1512041C2

**Weight in g:**

95 for XZCR1512041C2

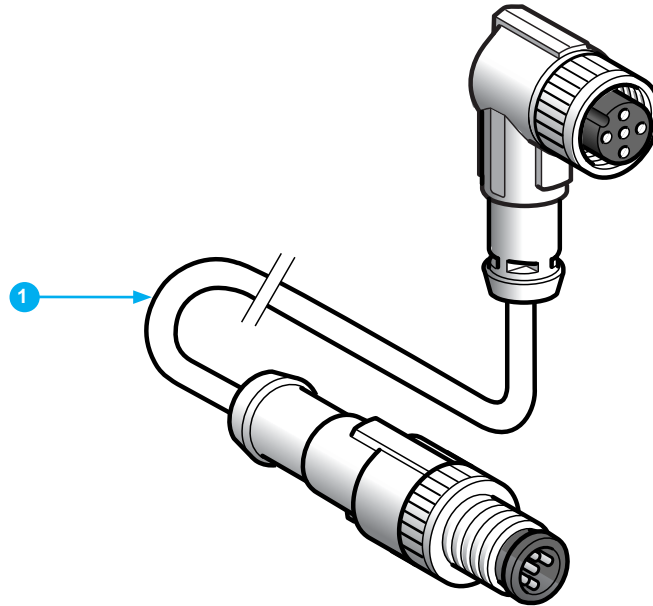


## Operations recommended for the end of life treatment

There are several steps to process the products at the end of life so as to recover components, materials or energy:

**Reuse** ⇒ **Separation for special treatment** ⇒ **Other dismantling** ⇒ **Shredding**

The components of the products that optimize the recycling performances are listed, identified and located hereunder.



Recommendation	Number on drawing	Component	Weight (g/m)	Comment
Special treatment	1	Cable	30 for XZCR1512041C2	The weight of the cable depends on the considered commercial reference.

For more information please contact us at: [global-green-sensors@schneider-electric.com](mailto:global-green-sensors@schneider-electric.com).

### Schneider Electric Industries SAS

35, rue Joseph Monier  
CS30323  
F - 92506 Rueil Malmaison Cedex

RCS Nanterre 954 503 439  
Capital social 896 313 776 €  
[www.schneider-electric.com](http://www.schneider-electric.com)

The version of the Guide used to create the document: End of Life Instruction Drafting Guide of Schneider Electric version V3.

Publication: Schneider Electric