

|                           |                      |   |
|---------------------------|----------------------|---|
| 54113100                  | <b>DATA SHEET</b>    |  |
| Valid from:<br>03.07.2018 | <b>SKINTOP® SD-M</b> |   |

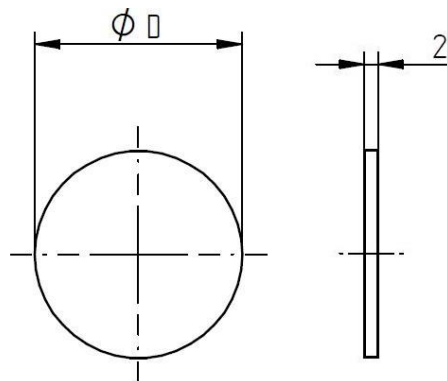
The SKINTOP® SD-M, a polyethylene foam dust seal is used for all assembly work in which the cable connection is made later and the inside of the housing must also be protected against moisture, dust, dirt and foreign bodies. Fixing is simple, nothing is to take apart, just push the cable through.



**Technical features:**

|          |                   |
|----------|-------------------|
| Material | Polyethylene foam |
| Sizes    | M12 up to M63     |
| Color    | Black             |

**Norm references:**



| Size | Ø D [mm] | Article No. |
|------|----------|-------------|
| M12  | 11,5     | 54113100    |
| M16  | 15       | 54113110    |
| M20  | 20       | 54113120    |
| M25  | 25       | 54113130    |
| M32  | 30       | 54113140    |
| M40  | 40       | 54113150    |
| M50  | 49       | 54113160    |
| M63  | 58       | 54113170    |

For more information please see our current catalogue. Please do not hesitate to contact our laboratory if there are any questions regarding resistance against aggressive agents and special oil.

|  |                                       |             |
|--|---------------------------------------|-------------|
| Creator: T. Dvoulety /PDP<br>Released: DAMU1/PDP | Document: DB54113100EN<br>Version: 01 | Page 1 of 1 |
|--|---------------------------------------|-------------|