

Use

This pack enables you to create a connected installation in your home. It can be used to control lighting, roller shutters and electrical equipment plugged into connected sockets:

- using your smartphone and the Home + Control app
- using voice assistants
- from the general control at the entrance to your home

Supplied with the Home/Away wireless master switch required for the association procedure of all connected devices. - 2 modules.

Range

Designation	Cat. Nos.
Flush mounting Gateway 2 modules, equipped with RESET button (hidden) used to return to factory setting.	
Additional wireless general control.	<input type="checkbox"/> RW4500C
Supplied complete with battery.	<input type="checkbox"/> RA4500C
Equipped with an LED indicator (configuration) and a RESET button (hidden) used to return to factory settings.	<input type="checkbox"/> RG4500C
Repositionable self-adhesive fixings supplied.	

Colours code:

- White
- Aluminum
- Black

Connection

Gateway: Terminal type: automatic
Terminal capacity: 2 x 2.5 mm²
Stripping length: 11 mm

Technical characteristics

- Mechanical characteristics

Gateway 2 modules:

Protection against impacts: IK 04
Protection against solid bodies and/or liquids: IP 20

General control:

Protection against impacts: IK 02
Protection against solid bodies and/or liquids: IP 20 without rocker plate and plate

- Material characteristics of Gateway

Mechanism casing: PC
Halogen-free
UV resistant
Self-extinguishing: 850°C/30 s for insulating parts holding live parts in place.
650°C/30 s for the other insulating components.

- Material characteristics of general control

Mechanism casing with grid: Fibreglass-reinforced (10%) PC
Mechanism functional cover PC/ABS
Supporting base: fiberglass-reinforced PA (60%)
Halogen-free
UV resistant
Self-extinguishing: 650°C/30 s

- Electrical characteristics of Gateway

Voltage: 100/240 V~
Frequency: 50/60 Hz
Standby consumption: 0.1 mA
WiFi technology 2.4 GHz (13 channels) - IEEE 802.11 b/g/n
ZigBee radio technology frequency: 2.4 GHz to 2.4835 GHz
Wireless mesh network, self-adaptive and secure (AES 128), conforming to standard IEEE 802.15.4 (LR-WPAN)
Power level: < 100 mW
Range: 200 m of unobstructed space
10 m recommended between products indoors

- Electrical characteristics of general control

Powered by a CR2032 - 3 V lithium battery (supplied)
Battery life: 8 years for 10 activations a day
ZigBee radio technology frequency 2.4 GHz to 2.4835 GHz
Wireless mesh network, self-adaptive and secure (AES 128), conforming to standard IEEE 802.15.4 (LR-WPAN)
Power level: < 100 mW

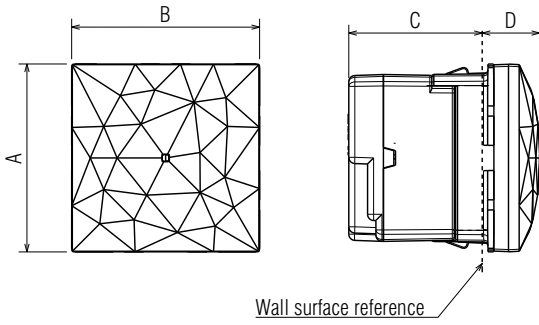
- Climate characteristics

Storage temperature: 0° C to + 45° C
Usage temperature: +5° C to + 45° C

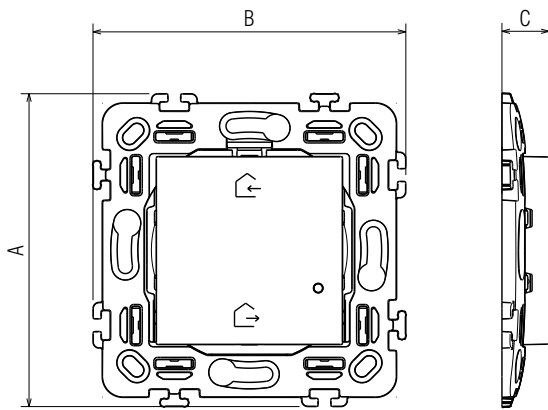
Standards and approvals

The undersigned, BTICINO, declares that the radio-electric equipment type (RW-RA-RG4500C) complies with directive 2014/53/EU.
The full text of the EU declaration of conformity is available on the following website: www.bticino.it/red

Overall dimensions (mm)

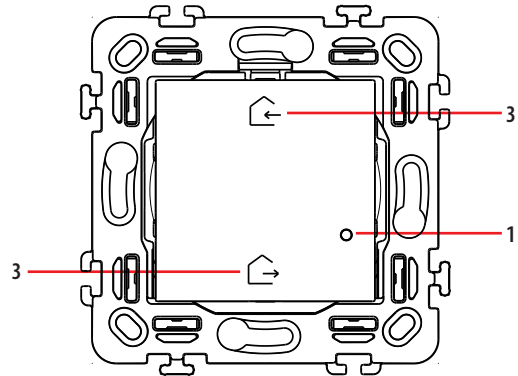


A	B	C	D
45,1	45	32	13,8

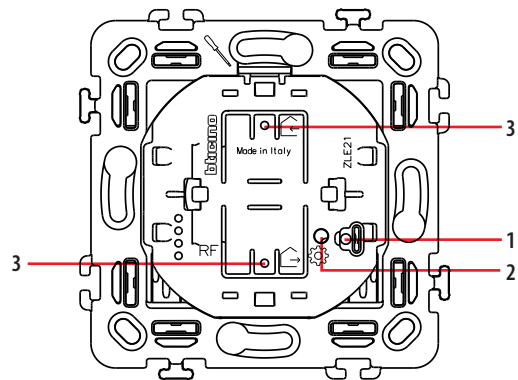


A	B	C
75	75	11,3

Front view

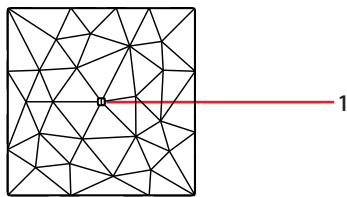


Front view without coverkey

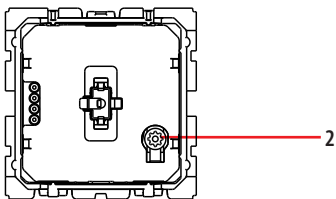


Operation

Front view



Front view without coverkey



Legend

- 1. LED indicator: useful during installation
- 2. RESET button used to return to factory settings
- 3. Control pushbutton

Attention: the starter pack is pre-paired at the factory.
Never perform a factory RESET on the Gateway and the wireless general control at the same time, as this may render them unusable.

Cleaning

Clean the surface with a cloth.
Do not use acetone, tar-removing cleaning agents or trichloroethylene.

Caution: Always test before using special cleaning products.
The plates must not be painted.



Take care to recycle the battery appropriately.

RAEE/WEEE: bticino.com/disposal