

FERINA

WOJP05483

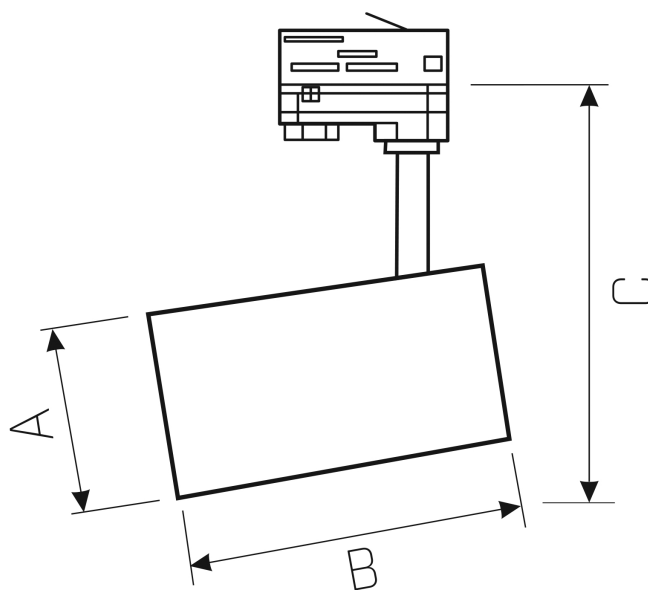


Power **27 W**
Colour of light **CHEESE**
Degree of protection (IP) **IP20**

Voltage **230 V**
Beam angle **24 °**


Technical data

Code	WQJP05483
Power	27 W
Nominal current	129 mA
Voltage	230 V
Energy consumption	27 kWh/1000h
Frequency	50HZ Hz
Protection class	I
Power supply included	+
Manufacturer of power supply	TCI
Power factor	0.93
Useful luminous flux*	2565 lm (360°)
Luminous flux**	2295 lm (360°)
Lamp efficacy	95 lm/W
Colour of light	CHEESE
Beam angle	24 °
RA	95
Light source included	+
Producer of LED diodes	CITIZEN
Uniformity of color SDCM max	3
Dimmable	No
Working temperature range	-20/+40 °
Lifespan	50000 h
Housing material	Aluminum
Degree of protection (IP)	IP20
Colour	White
Dimension (AxBxC)	130x220x245 mm
For use	Inside
Assembly method	on track
Application	Inside
Made in	PL



Related documents



 Photometric file