



CorePro LEDspot AR111



CorePro LEDspot 7-50W 830 AR111 40D

CorePro LEDspot AR111 are a perfect fit for spot lighting and deliver warm halogen-like light. They are compatible with most existing fixtures with a G53 base and are designed as a retrofit replacement for halogen spots. CorePro LEDspot AR111 deliver significant energy savings and minimize maintenance cost.

Product data

General Information	
Cap-Base	G53
Nominal lifetime	15,000 hour(s)
Switching Cycle	50,000
Lighting Technology	LED
Flux measurement reference	Narrow Cone
Light Technical	
Color Code	830 [CCT of 3000K]
Beam Angle (Nom)	40 degree(s)
Luminous Flux	550 lm
Luminous Intensity (Nom)	1,100 cd
Color Designation	White (WH)
Correlated Color Temperature (Nom)	3000 K
Luminous Efficacy (rated) (Nom)	78.00 lm/W
Color Consistency	<6
Color rendering index (CRI)	80
LLMF At End Of Nominal Lifetime (Nom)	70 %
Luminous Flux in 90° Cone (Rated)	550 lm

Photobiological safety according to EN 62471	RG1
Operating and Electrical	
Line Frequency	- Hz
Input Frequency	- Hz
Power Consumption	7 W
Lamp Current (Nom)	670 mA
Wattage Equivalent	50 W
Starting Time (Nom)	0.5 s
Warm-up time to 60% light	1 s
Power Factor (Fraction)	0.7
Voltage (Nom)	ac electronic 12 V
Temperature	
T-Case Maximum (Nom)	60 °C
Controls and Dimming	
Dimmable	No

CorePro LEDspot AR111

Mechanical and Housing

Bulb Finish	Clear
Bulb Shape	AR111
Net Weight (Piece)	0.160 kg

Approval and Application

Energy Efficiency Class	F
Suitable For Accent Lighting	Yes
Energy Consumption kWh/1000 h	7 kWh
EPREL Registration Number	491865
CE mark	Yes
EU RoHS compliant	Yes
EyeComfort	Yes
Flickering value (PstLM) - Flickering value as per EN 61000-3-3	1
Stroboscopic effect visibility measure (SVM)	0.4

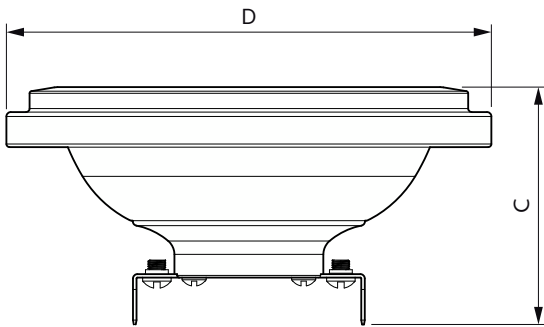
Application Conditions

can it be used in closed luminaires	No
-------------------------------------	----

Product Data

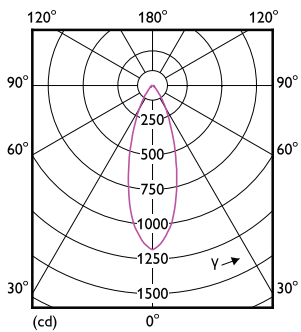
Order product name	CorePro LEDspot 7-50W 830 AR111 40D
Full product name	CorePro LEDspot 7-50W 830 AR111 40D
Full product code	871951430538000
Order code	929002965002
Material Nr. (12NC)	929002965002
Numerator - Quantity Per Pack	1
EAN/UPC - Product/Case	8719514305380
Numerator - Packs per outer box	6
EAN/UPC - Case	8719514305397

Dimensional drawing

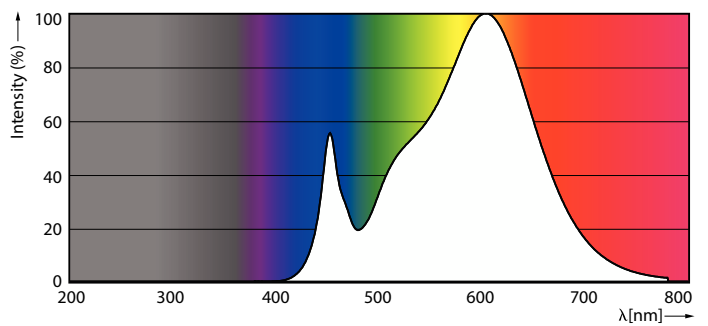


Product	D	C
CorePro LEDspot 7-50W 830 AR111 40D	110.7 mm	55 mm

Photometric data



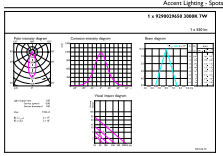
Light Distribution Diagram - CorePro LEDspot 7-50W 830 AR111 40D



Spectral Power Distribution Colour - CorePro LEDspot 7-50W 830 AR111 40D

CorePro LEDspot AR111

Photometric data

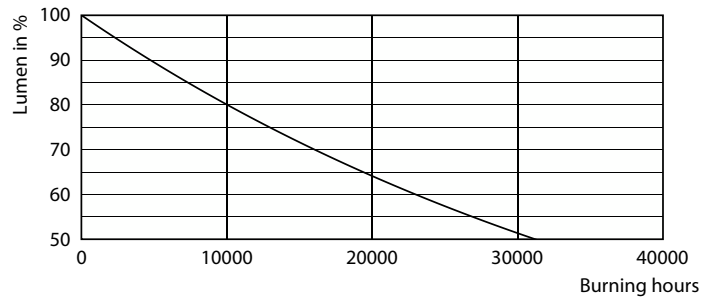


Accent Lighting Spots - CorePro LEDspot 7-50W 830 AR111 40D

Lifetime



Life Expectancy Diagram



Lumen Maintenance Diagram - CorePro LEDspot 7-50W 830 AR111 40D

