

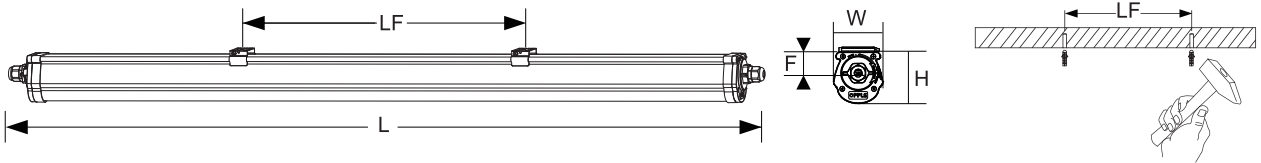
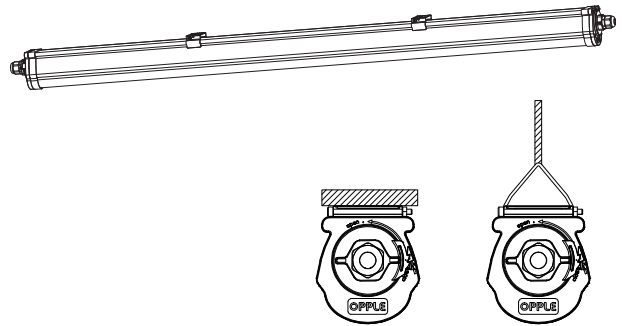
LED Waterproof Performer G3 BLE

OPPLE

Version date 08-11-2019
www.opple.com

Item Code	CCT	
-----------	-----	---

543022019000	4000K	0.985kg
543022019800	4000K	0.985kg
543022019100	4000K	1.51kg
543022019200	6500K	1.51kg
543022019300	4000K	1.51kg
543022019400	4000K	1.75kg
543022019600	4000K	1.75kg
543022019700	6500K	1.75kg

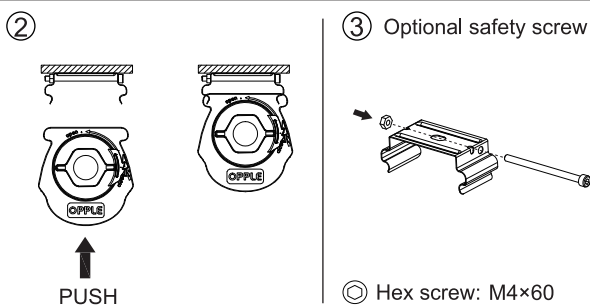
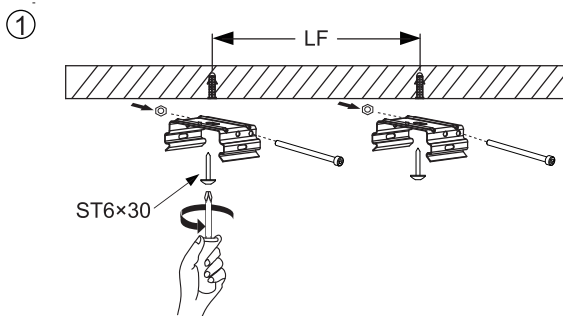


Model	L (mm)	LF (mm)	W (mm)	H (mm)	F (mm)	Rated Power	Max total luminaires connected using external 1.5mm ² wire	Max total luminaires connected using external 2.5mm ² wire
LED WP-P3 L710-13W BLE	710	300	81	78	22	13W	20	40
LED WP-P3 L710-22W BLE	710	300				22W	15	30
LED WP-P3 L1310-22W BLE	1310	600				22W	15	30
LED WP-P3 L1310-36W BLE	1310	600				36W	15	30
LED WP-P3 L1310-36W BLE	1310	600				36W	15	30
LED WP-P3 L1610-31W BLE	1610	750				31W	15	30
LED WP-P3 L1610-51W BLE	1610	750				51W	10	20
LED WP-P3 L1610-51W BLE	1610	750				51W	10	20

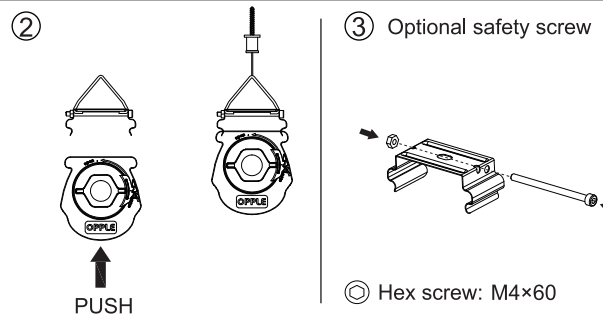
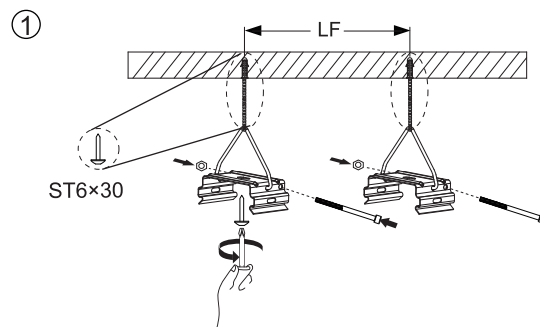
Rated Voltage: 220-240V~
Frequency: 50/60Hz

Installation

Surface Mounting



Suspension Mounting



Wiring

①

②

③

④

External Wire diameter
Min: 3×1.0mm²
Max: 3×2.5mm²

50mm
5mm
3mm

32mm

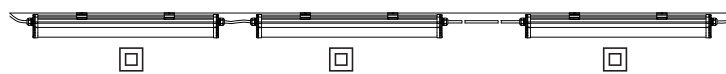
2.0~2.5N.m

32mm

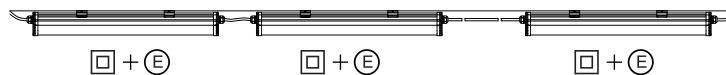
! IP65 rating can only be guaranteed with properly tightened glands and properly closed endcaps.

! Add the rubber block when through wiring is not required.

LUMINAIRE IS ELECTRICAL PROTECTION CLASS II, GROUND WIRING IS NOT MANDATORY



The luminaire is equipped with an extra through wire that can be used to connect the ground wire to the end of the line



Components



Components included in the packaging inside the components box.

Bluetooth Operating frequency: 2402-2480 MHz, Bluetooth Max Transmission Power: <20dBm



Caution: Any operation on LED module is forbidden while power-on.
Zur Vermeidung von Risiken müssen defekte Leitungen ausschließlich vom Hersteller, Inverkehrbringer oder Fachmann ausgetauscht werden.
Achtung: In Betrieb ist keine Arbeit am LED-Modul erlaubt.



For non-user replaceable light sources:
The light source contained in this luminaire shall only be replaced by the manufacturer or his service agent or a similar qualified person.
Das Leuchtmittel dieser Leuchte ist nicht austauschbar. Wenn das Leuchtmittel das Ende seiner Lebensdauer erreicht hat, muss die gesamte Leuchte ersetzt werden.



For use in environments where normal non-conductive/conductive dust accumulation may be expected, not for use in environments with expected high/unusual dust accumulation.



Data subject to change Les données sont sujettes à modifications Änderungen vorbehalten

Opple Lighting Electronic (Zhongshan) Co., Ltd.
528422
Building A, No.275 Dongan Bei Road,
Haizhou District, Guzhen Town,
Zhongshan City, Guangdong, China.

OPPLE Lighting B.V.
Materiaalweg 6-6A
5681 RJ Best
The Netherlands
service@opple.com
www.opple.com