

Intellia Heater Base

EBI-15

Instruction Sheet
R10140GB0



Schneider Electric Fire & Security Oy

Sokerilinnantie 11 C
FI-02600 Espoo, Finland
Tel: +358 10 446 511
Website: www.schneider-electric.com
Document number: R10140GB0
Published: 14.05.2019

© 2018 – Schneider Electric. All Rights Reserved. This information is only to be used as guidance. Subject to changes and errors.

Contents

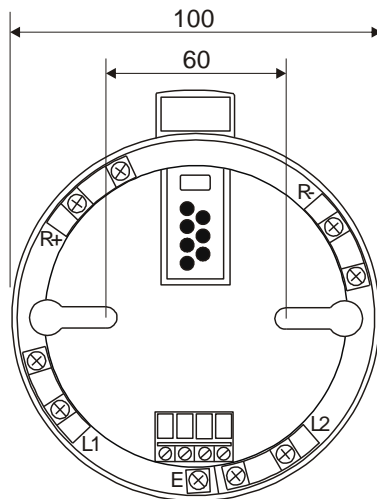
1	Intellia Heater Base EBI-15	4
1.1	Mechanical installation	4
1.2	Planning and installation	4
1.3	Wiring principle.....	5
1.4	Thermostat connections.....	5
1.5	Wiring diagrams of Addressable Heater Base with one remote indicator	5
1.6	Wiring diagrams of Addressable Heater Base with common remote indicator.....	6
1.7	Product Codes	6

1 Intellia Heater Base EBI-15

The heater base EBI-15 is used together with Intellia detectors and is compatible with the ALC loop interface in the Esmi Sense FDP and FX detection system.

The EBI-15 Intellia Heater Base is designed to be used where environmental conditions could result in icing or condensation. The heater base increases an attached detector's temperature by approximately 10°C above ambient. It is recommended that the heater base be used in conjunction with either a Waterproof Base Cover, or a Deckhead Mounting Box to minimise moisture ingress.

1.1 Mechanical installation

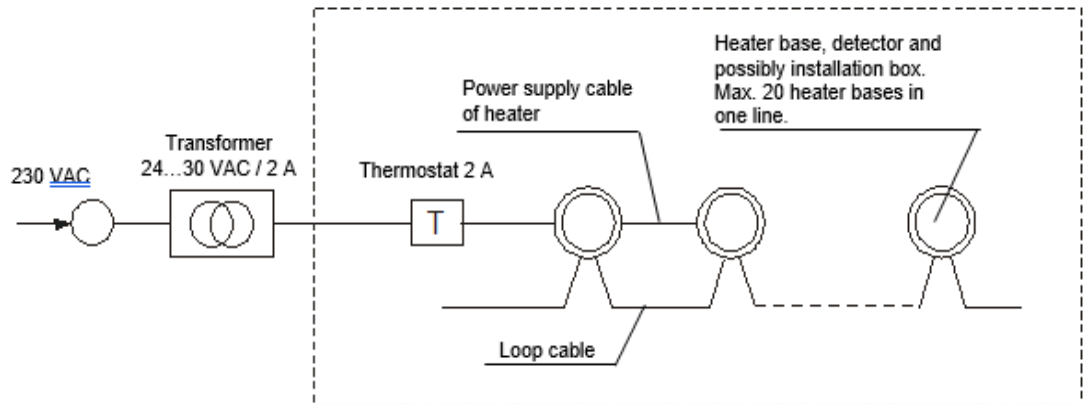


1.2 Planning and installation

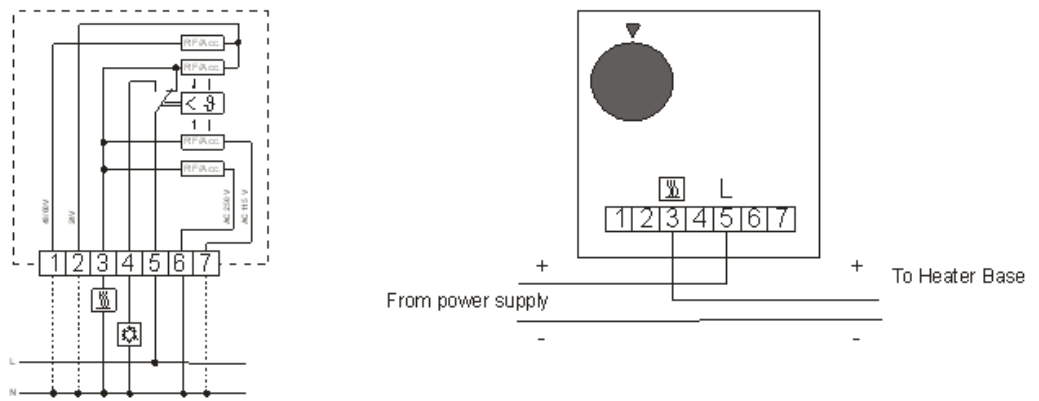
The maximum allowed voltage drop is 2 volt. The cable size must be selected based on the cable length, number of heaters used and allowed voltage drop.

Local regulations of electrical installations must be followed in planning and implementation.

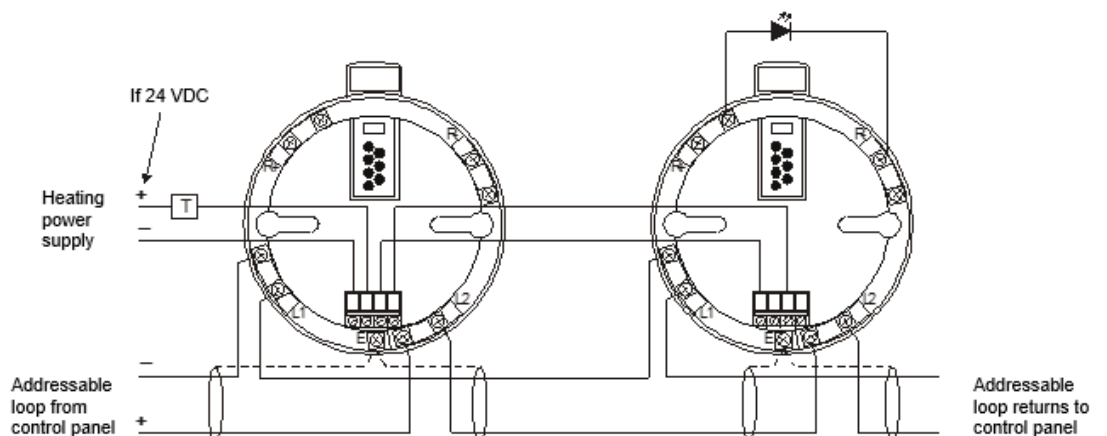
1.3 Wiring principle



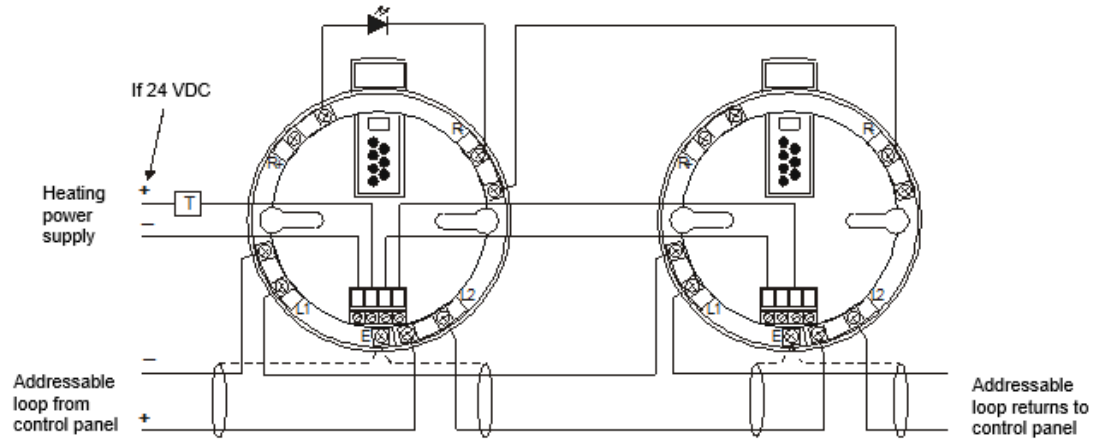
1.4 Thermostat connections



1.5 Wiring diagrams of Addressable Heater Base with one remote indicator



1.6 Wiring diagrams of Addressable Heater Base with common remote indicator



1.7 Product Codes

Description	Product code
Heater Base EBI-15	FFS0672 0015
Transformer KKM 50VA	FFS06182050
Thermostat SK3110.000	FFS06415200

Note! Transformer and thermostat must be purchased separately!