

### ZMDRK DUL 8.10 W16.22 CU STTZN (339 157)

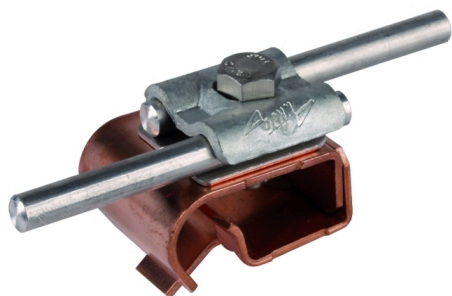
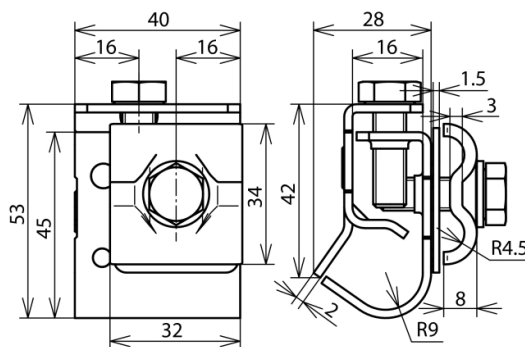


Figure without obligation



Arrangement:



Type	ZMDRK DUL 8.10 W16.22 CU STTZN
Part No.	339 157
Clamping range bead	16-22 mm
Material of gutter clamp	Cu / St/tZn
Clamping range Rd	8-10 mm
Screw	M8 x 25 mm
Material of screw	StSt
Lightning current carrying capability (10/350 μs)	50 kA *)
Standard	EN 62561-1
Weight	142 g
Customs tariff number	85389099
GTIN	4013364096325
PU	25 Stk

\*) See test certificate for exact classification.

We reserve the right to introduce changes in performance, configuration and technology, dimensions, weights and materials in the course of technical progress. The figures are shown without obligation.