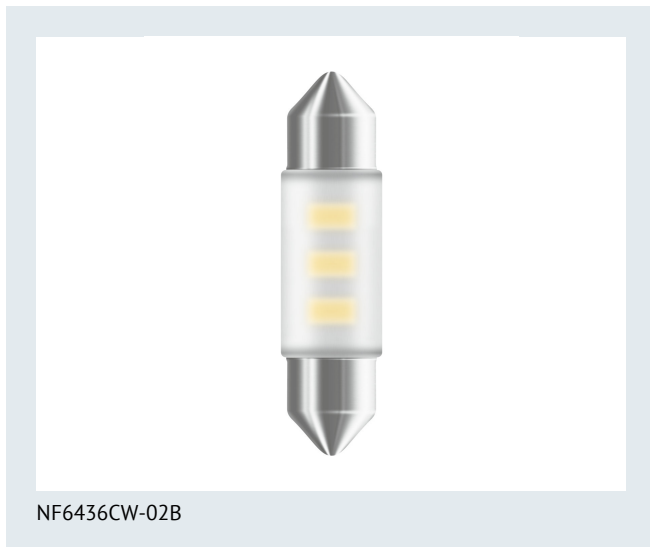




NEOLUX[®]
GERMAN TECHNOLOGY

LED Interior 6000 K 36.0 mm SV8.5-8

NEOLUX LED retrofits upgrade vehicle interiors with modern, cold white light. NEOLUX LED retrofits replace most traditional auxiliary lamps with ease. The results are more than aesthetic. The long-lasting, affordable NEOLUX LED lamps use less energy than conventional lamps.



Product family benefits

- Upgrade with the latest LED technology
- Modern look
- Better visibility
- Homogeneous illumination thanks to modern diffusor optics
- Longer replacement cycle

Product family features

- Contemporary, cold white color temperature with 6,000 K
- High brightness
- Even light distribution
- Ideal fit thanks to compact dimensions
- Long lifetime

Areas of application

- Interior lighting



NF6436CW-02B

Product information

Product type (off-road vs. on-road)	Off-road
Application (Category and Product specific)	Mainly used for number plate/ interior applications

Electrical data

Power input	0.6 W
Test voltage	13.5 V
Power input tolerance	±20 %
Nominal wattage	0.50 W
Nominal voltage	12.0 V

Photometrical data

Color temperature	6000 K
Luminous flux	25 lm
Luminous flux tolerance	±20 %
Light color LED	Cool white

Dimensions & weight

Diameter	9.8 mm
Product weight	2.50 g
Length	36.0 mm

Lifespan

Lifespan Tc	2000 h
Lifespan B3	2000 h

Additional product data

Base (standard designation)	SV8.5-8
-----------------------------	---------

Capabilities

Technology	LED
------------	-----

Certificates & standards

ECE category	△ C5W
--------------	-------

Logistical data

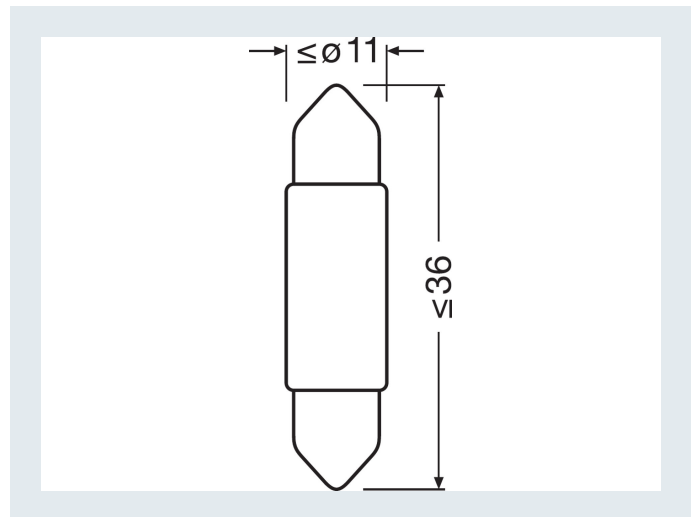
Order reference	NF6436CW-02B
-----------------	--------------

Environmental information

Date of Declaration	19-01-2022
Primary Article Identifier	4052899055391 4052899477292 4052899477315 4052899620032 4062172182782
Candidate List Substance 1	Lead
CAS No. of substance 1	7439-92-1
Safe Use Instruction	The identification of the Candidate List substance is sufficient to allow safe use of the article.
Declaration No. in SCIP database	aaba6012-3d9f-4e5b-ac1c-92dcc1317bde fe6ebf55-4e30-4f5f-acbc-074648469b23 7e7d4a7e-ad78-4d6e-9578-1cd04f369593 1da8b7ce-98ba-499b-

Packaging Information

Packaging description NEOLUX	EAN	Packaging type	Amount of article
NF6436CW-02B	4052899477315	Blister	2



Legal advice

These products do not have ECE approval. This means they must not be used on public roads in any exterior application. Use on public roads leads to cancellation of operating license and loss of insurance coverage. Several countries do not allow sale and use of these products. Please contact your local distributor for information on the availability in your country.

NEOLUX[®]
GERMAN TECHNOLOGY

NEOLUX Automotive Lighting
OSRAM GmbH

Marcel-Breuer-Str 6
80807 Munich, Germany

Phone +49 89 6213-0
Fax +49 89 6213-2020

www.neolux-lighting.com