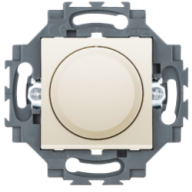


Product Data Sheet

GW35301Y

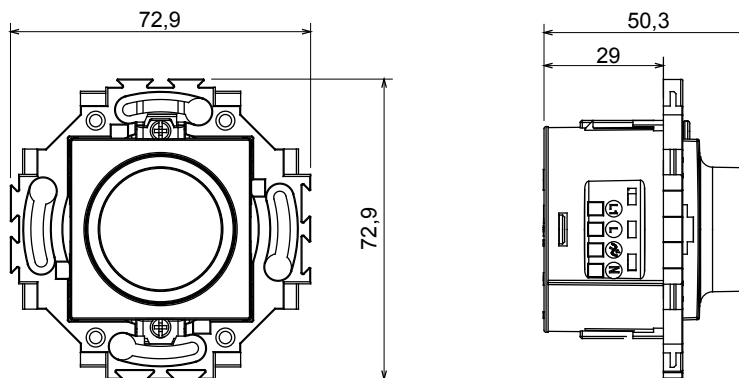
DAHLIA - Domestic range



Residential series suitable for installations on round and square boxes, characterised by an elegant appearance and classic shapes. The plates, made of technopolymer in seven colours and with different modularities, from 1 to 5-gang, can be installed in both horizontal and vertical positions. The series, developed around a core of monobloc devices, is available in two colours: white and ivory, both with a glossy finish. Expandable with ChorusSmart modular devices.

Category	Dimmers	Colour	Ivory
Material	Technopolymer	Finishing	Glossy
Supply voltage	230V ac - 50Hz	Type of terminals	With screw
Fixing	With clutches/Screws	230V incandescent/halogen lamps	20 ÷ 160 W
230V LED lamps	4 ÷ 160W (max 10 lamps)	Electr. transf. with 12Vac halogen lamps	40 ÷ 160W
Electr. transf. with 12Vac LED lamps	4 ÷ 110W (max 2 transf. with 3 lamps each)	Terminal tightening capacity	0,75-1,5mm ² solid or stranded cables
Standard	EN 60669-2-1; 2014/35/EU; 2014/30/EU		

DIMENSIONAL



STANDARDS/APPROVALS

