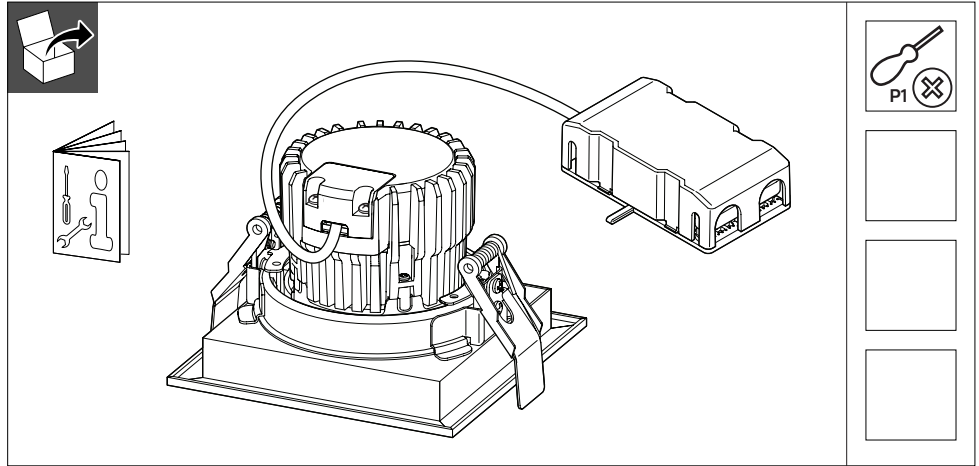




PHILIPS

Gridlight

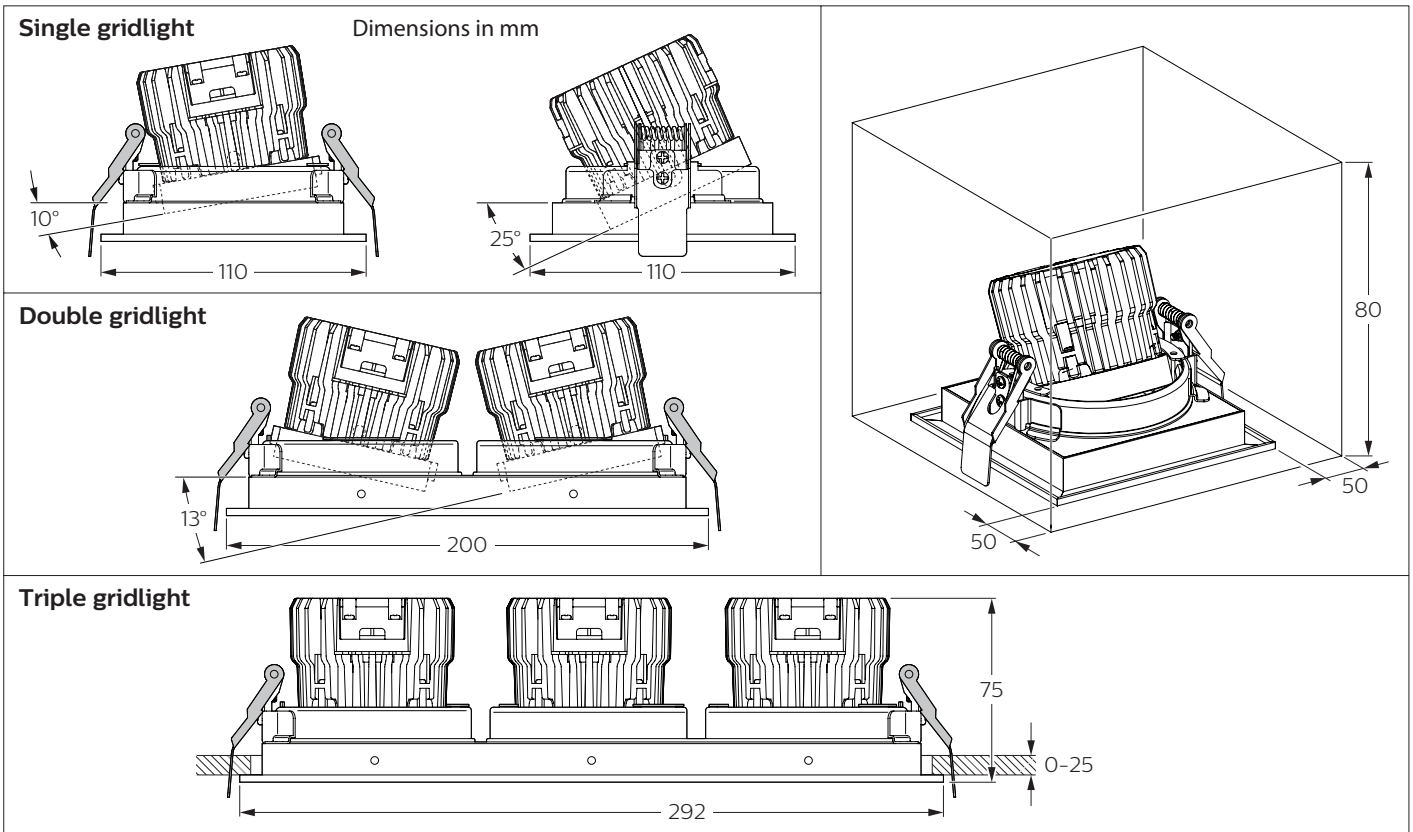
RS143Z

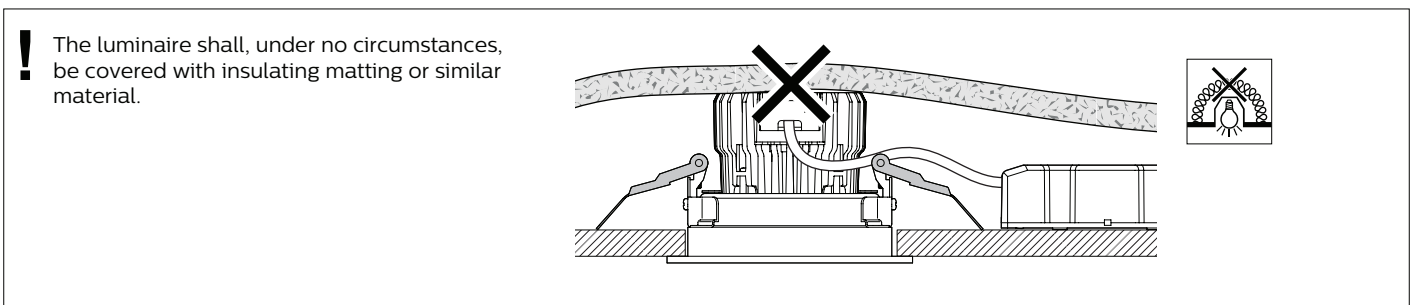
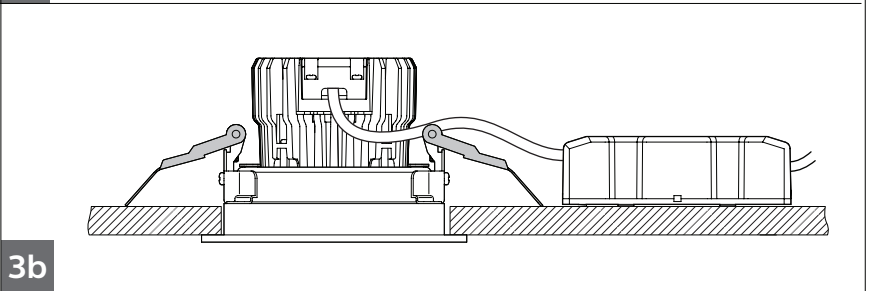
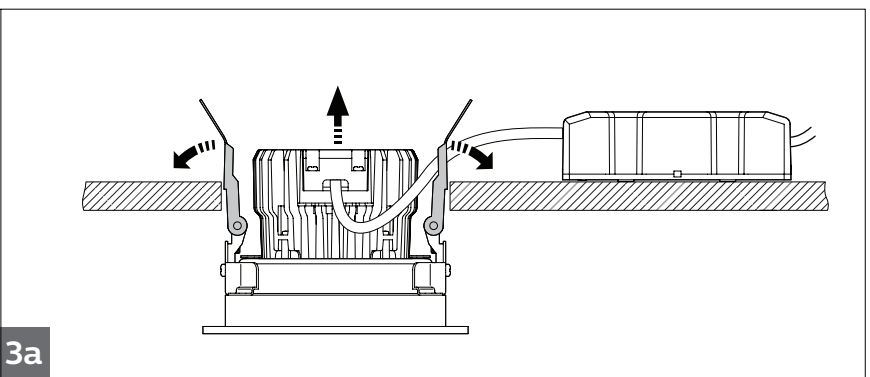
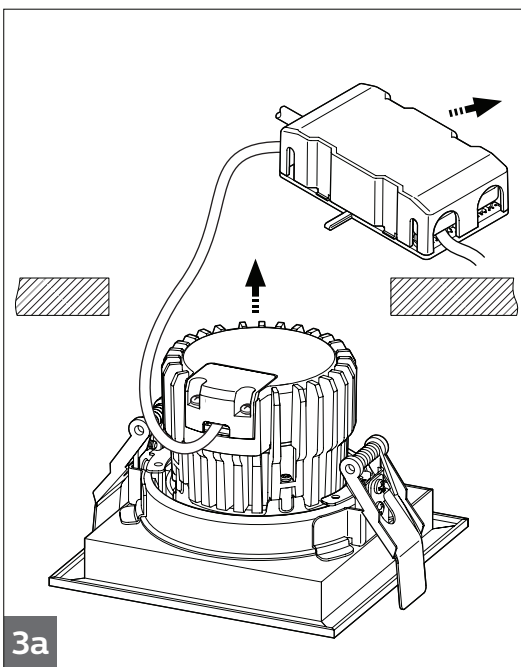
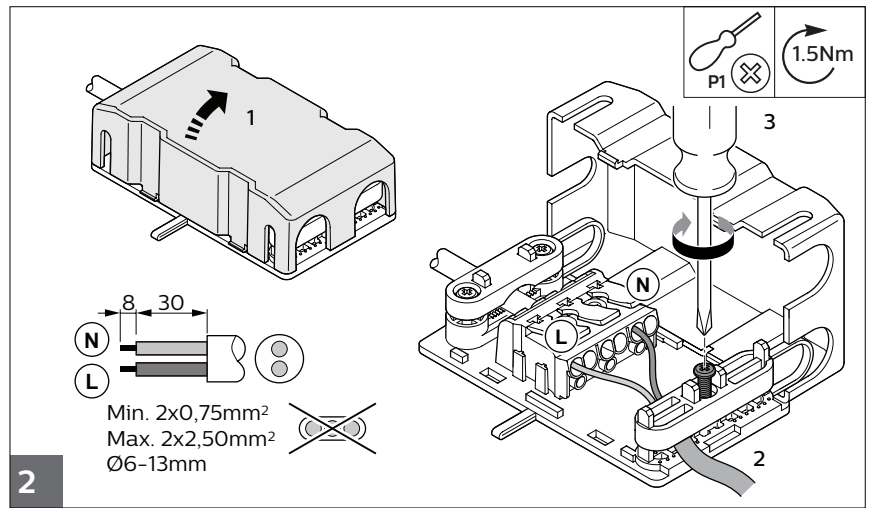
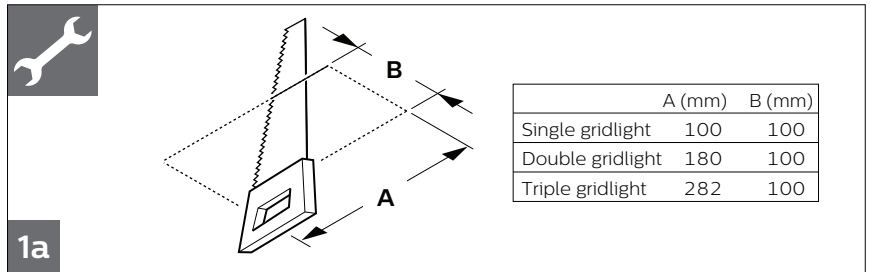
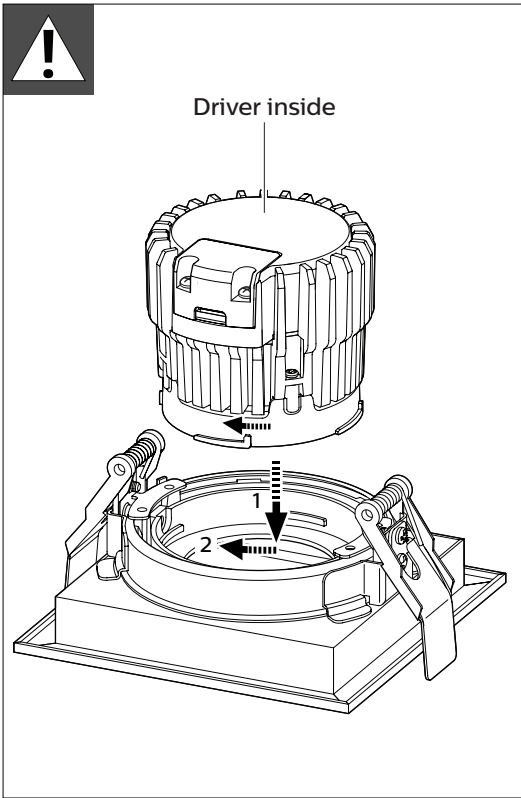


		 mm	 kg
RS143Z CFRM GRID 1x1 WH	Single gridlight	98 x 98	0.19
RS143Z CFRM GRID 1x2 WH	Double gridlight	98 x 185	0.28
RS143Z CFRM GRID 1x3 WH	Triple gridlight	98 x 275	0.40

Gridlight is designed to be used in combination with light source CoreLine Recessed Spot.

Order code		CCT (K)	Lumen (lm)
38295799	RS140Z MODULE LED6-32-/827	2700	
38296499	RS140Z MODULE LED6-32-/830	3000	650
38297199	RS140Z MODULE LED6-32-/840	4000	
38298899	RS140Z MODULE LED9-32-/830	3000	900
38299599	RS140Z MODULE LED9-32-/840	4000	





- The luminaire shall be installed by a qualified electrician and wired in accordance with the latest IEE electrical regulations or the national requirements.
- Only to be installed outside arms reach as recessed ceiling luminaire.
- The light source contained in this luminaire shall only be replaced by the manufacturer or his service agent or a similar qualified person.
- For complete and updated list of advised dimmers, please check the CoreLine Recessed Spot RS140 page on the Philips Lighting eCatalog: <http://www.ecat.lighting.philips.com>.