


24441271	<b>DATA SHEET</b>	
Valid from: 18.09.2020	<b>EPIC® POWER LS1 D6 3+PE+4 TWIST</b>	

## Description

- Circular connectors for servomotors and power supply
- High power at smallest installation space
- Optimal solution for electric motors
- EMC-optimised design
- Safety use in field environment by high protection class



## General Characteristics

Series	POWER LS 1
Version	Cable connector for female contacts
Pin configuration	3+PE+4
Rated voltage (V)	630 V (2mm Contacts) 250 V (1mm Contacts)
Rated impulse voltage	6 kV (2mm Contacts) 4 kV (1mm Contacts)
Rated current (A)	25A (2mm Contacts) 7A (1mm Contacts)
Contact resistance	< 4 mOhm
Number of contacts	3+PE+4
Termination methods	Crimp termination: 0.5 – 2,5 mm <sup>2</sup> (2 mm contacts) Crimp termination: 4.0 mm <sup>2</sup> (2 mm contacts for 24441277) Crimp termination: 0.14 - 1.0 mm <sup>2</sup> (1 mm contacts)
Protection	IP 67 (latched)
Cycle of mechanical operation	500
Temperature range	-25°C to +125°C
Degree of soiling	3

## Product Variations


Package unit = 20 pieces: The contacts must be ordered separately

Article- Number	Article	Contacts included	Cable clamping range mm	Pin configuration
Type LS1 D6, Cable connector, 8-pin for female contacts				
24441271	LS1 D6	8	8,5 - 11	3+PE+4
24441272	LS1 D6		8,5 - 11	3+PE+4
24441273	LS1 D6	8	10,5 - 15,5	3+PE+4
24441274	LS1 D6		10,5 - 15,5	3+PE+4
24441275	LS1 D6	8	7,5 - 15,5	3+PE+4
24441276	LS1 D6		7,5 - 15,5	3+PE+4
24441277	LS1 D6 mit 2mm contact for 4mm <sup>2</sup> termination	8	14 - 17	3+PE+4
24441278	LS1 D6		14 - 17	3+PE+4

Creator: STKU3/PDP Released: IVSE1/PDP	Document: DB24441271EN Version: 02	Page 1 of 3
---	---------------------------------------	-------------

We reserve all rights according to DIN ISO 16016.

PD 0019/05\_04.18EN

24441271	<b>DATA SHEET</b>	
Valid from: 18.09.2020	<b>EPIC® POWER LS1 D6 3+PE+4 TWIST</b>	

### Materials and Surfaces

Housing	Nickel-plated zinc die-casting, nickel-plated brass
Insert	PA
Seal	FPM
Contact	Brass
Contact surface	AU

### Approvals

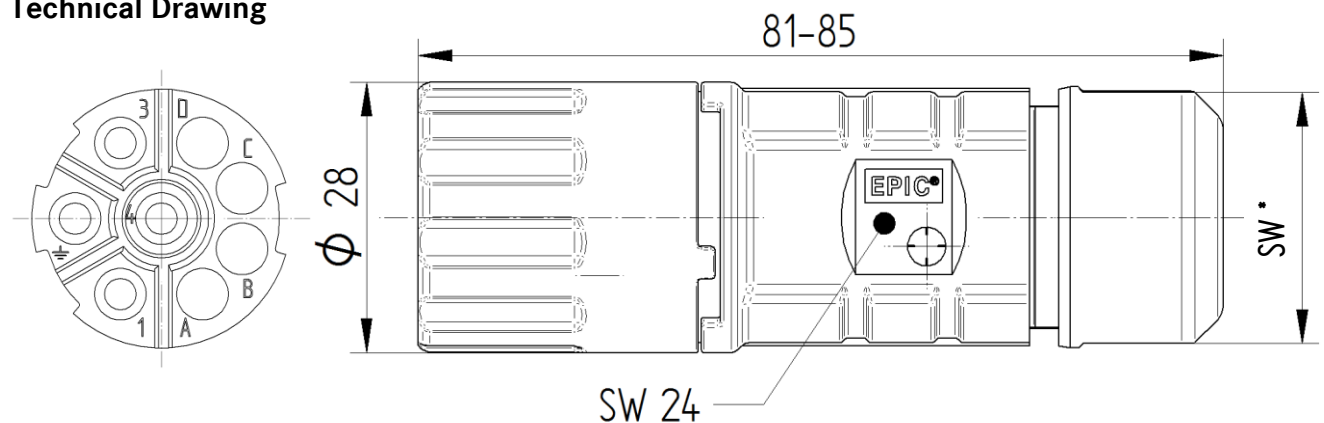
UL E-File Number E249137

### Standard

Safety Standard IEC 61984, UL 2238, CSA 22.2 182.3



### Technical Drawing



Article number	* wrench size
24441271	26
24441272	26
24441273	26
24441274	26
24441275	27
24441276	27
24441277	27
24441278	27



Good chemical resistance




Corrosion-resistant



Industrial machinery and plant engineering

Creator: STKU3/PDP Released: IVSE1/PDP	Document: DB24441271EN Version: 02	Page 2 of 3
---	---------------------------------------	-------------

24441271	<b>DATA SHEET</b>	
Valid from: 18.09.2020	<b>EPIC® POWER LS1 D6 3+PE+4 TWIST</b>	



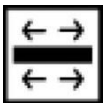
Maximum vibration protection



Mechanical resistance



Assembly time



Optimum strain relief



Space requirement



Robust



Waterproof



Wind Energy

**Application range**

Plant engineering  
Servo drives and servo assemblies

**Remark**

Photographs are not to scale and do not represent detailed images of the respective products.

Creator: STKU3/PDP Released: IVSE1/PDP	Document: DB24441271EN Version: 02	Page 3 of 3
---	---------------------------------------	-------------