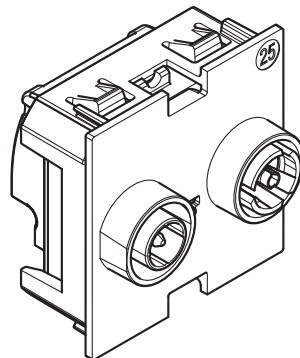


LIVING
NOV
TV - RD - SAT sockets

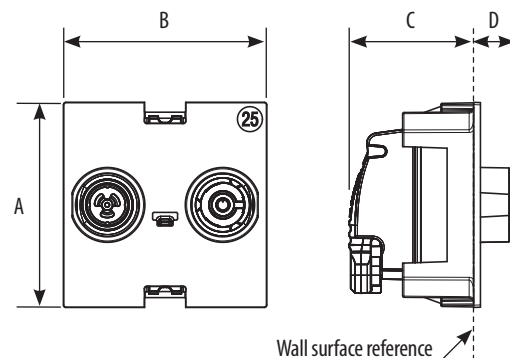
K4217M2D
K4217M2P14
K4217M2P10
K4211M2C



Use

TV and SAT sockets for cabled installation.

Overall dimensions (mm)



A	B	C	D
45.2	44.8	27.4	9.3

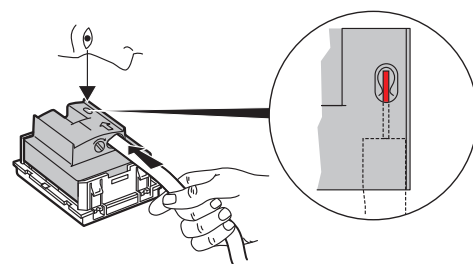
Range

Designation	Item	Related cover
Star demixed coaxial socket TV Ø 9.5 mm male connector SAT Ø 9.5 mm female connector 2 Modules	K4217M2D	
Terminal demixed coaxial socket -10 dB attenuation TV Ø 9.5 mm male connector SAT Ø 9.5 mm female connector incorporated impedance final adapter 75Ω 2 modules	K4217MP10	
Passthrough demixed coaxial socket -14 dB attenuation TV Ø 9.5 mm male connector SAT Ø 9.5 mm female connector 2 Modules	K4217M2P14	<input type="checkbox"/> KW25M2 <input checked="" type="checkbox"/> KG25M2 <input type="checkbox"/> KM25M2
TV-R socket for cable operator. Direct coaxial socket, double reception TV and FM-LMC. TV male connector simbolo diametro(vedi altre descizioni) 9,5mm. RD female connector simbolo diametro(vedi altre descizioni) 9,5mm. 2 modules	K4211M2C	

Colours code:

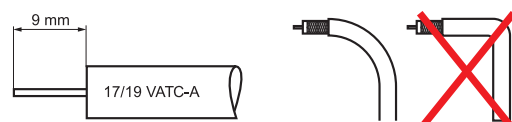
- White
- Black
- Sand

Connection



Cabling precautions

Stripping length



Technical characteristics

- Protection index

(considering a complete installation, including cover plate)

Penetration by solid bodies/liquid: IP20D

- Mechanical characteristics

Impact test: IK 04

- Material characteristics

Material:

Mechanism: Zamak

Key cover: ABS

Halogen free.

UV resistant.

Self-extinguishing:

850° C / 30 s for insulating parts holding live parts in place

650° C / 30 s for other parts made of insulating materials

- Electrical characteristics

- Male TV connector Ø 9.52 mm to IEC 61169-2

- Female FM connector Ø 9.52 mm to IEC 61169-2

- SAT FM connector Ø 9.52 mm to IEC 61169-2

- "F" SAT screw-in connector Ø 9.4 mm

- Self-extinguishing: 650° C / 30 s

- Frequency bands: TV : 5 - 68 / 120 - 862 MHz

FM: 87.5 - 108 MHz

SAT: 950 - 2400 MHz

R: 87.5 - 108 MHz

- Typical impedance: 75 Ω

Class A shielding efficiency (class A shielding is necessary to prevent interference from 3G and 4G phone signals, as these undesirable signals can cause pixellation of on-screen images or distort soundtracks)

- Feedback channel on TV connector

- Loss through shield: UHF > 65 dB

VHF > 75 dB

SAT > 55 dB

- Max. Ø of incoming cable on input: 7 mm

- Climatic characteristics

Storage temperature: - 10° C to + 70° C

Use temperature: - 5° C to + 35° C

Standards and approvals

Compliance with standards CEI/EN 61169-1

CEI/EN 61169-2

CEI/EN 61169-24.

Refer to e.catalogue.



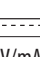
Cleaning

Clean the surface with a cloth.

Do not use acetone, tar-removing cleaning agents or trichloroethylene.

Caution: Always test before using special cleaning products.

Performance

Cat. No.	Zo				B1	FM	VHF	UHF	SAT IF
	Ohm			22 / 0.6	40 - 68	87.5 - 108	120 - 470	470 - 862	950 - 2150
	Ω		V/mA	KHz / V	MHz	MHz	MHz	MHz	MHz
K4217M2D	75	TV			1.5 dB				
		SAT	500 mA	1.5 dB					1.5 dB
K4217M2P14	75	TV			14 dB				
		SAT	500 mA	1.5 dB					1.5 dB
K4217M2P10	75	TV			10 dB				
		SAT	500 mA	1.5 dB					1.5 dB
K4211M2C	75	TV			1.5 dB		1.5 dB		
		RD				1.5 dB			