



# MASTER LEDspot ExpertColor LV

## MAS LED ExpertColor 7.5-43W MR16 940 36D

MASTER LEDspot LV ExpertColor creates a warm and comfortable ambience for hospitality venues, homes and restaurants. It creates such an ambience with superior lighting that has a customized spectrum, high CRI, and deep dimming feature. The result? A beautiful lighting experience. What's more, the innovative, trimless lens design will suit almost any interior decor with its clean and neat look. In addition, you can take advantage of the full ExpertColor family, which also includes LEDspot MV and LEDspot Par lamps.

### Product data

General Information		Luminous Flux in 90° Cone (Rated)	
Cap-Base	GU5.3 [GU5.3]		520 lumen
Nominal lifetime	40,000 hour(s)	Operating and Electrical	
Switching Cycle	50,000	Line Frequency	- Hz
Lighting Technology	LED	Input Frequency	- Hz
Flux measurement reference	Narrow Cone	Power Consumption	7.5 W
Light Technical		Lamp Current (Nom)	720 mA
Color Code	940 [CCT of 4000K]	Wattage Equivalent	43 W
Beam Angle (Nom)	36 degree(s)	Starting Time (Nom)	0.5 s
Luminous Flux	520 lumen	Warm-up time to 60% light	0.5 s
Luminous Intensity (Nom)	1,650 cd	Power Factor (Fraction)	0.7
Color Designation	Cool White (CW)	Voltage (Nom)	ac electronic 12 V
Correlated Color Temperature (Nom)	4000 K	Temperature	
Luminous Efficacy (rated) (Nom)	69.00 lm/W	T-Case Maximum (Nom)	93 °C
Color Consistency	<3		
Color rendering index (CRI)	92		
LLMF At End Of Nominal Lifetime (Nom)	70 %		

# MASTER LEDspot ExpertColor LV

## Controls and Dimming

Dimmable	Only with specific dimmers
----------	----------------------------

## Mechanical and Housing

Bulb Shape	MR16 [2inch/50mm]
------------	-------------------

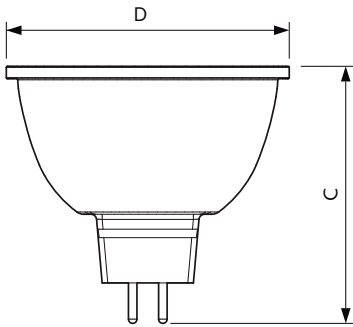
## Approval and Application

Suitable For Accent Lighting	Yes
Energy Consumption kWh/1000 h	8 kWh
EPREL Registration Number	624,219
CE mark	Yes
EU RoHS compliant	Yes

## Product Data

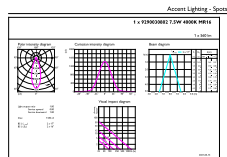
Full product code	871951435875100
Order product name	MAS LED ExpertColor 7.5-43W MR16 940 36D
Order code	929003080202
Numerator - Quantity Per Pack	1
Numerator - Packs per outer box	10
Material number (12NC)	929003080202
Full product name	MAS LED ExpertColor 7.5-43W MR16 940 36D
EAN/UPC - Case	8719514358768

## Dimensional drawing

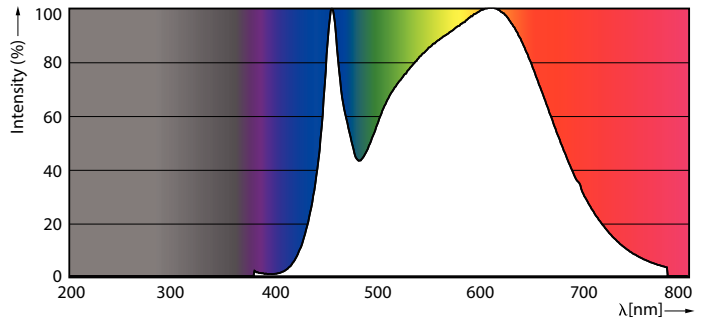


Product	D	C
MAS LED ExpertColor 7.5-43W MR16 940 36D	50.5 mm	46 mm

## Photometric data



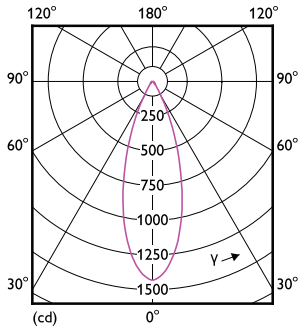
Calculator Photometric LV Page Lighting LV Page 11



Spectral Power Distribution Colour - MAS LED ExpertColor 7.5-43W MR16 940 36D

# MASTER LEDspot ExpertColor LV

## Photometric data



Light Distribution Diagram - MAS LED ExpertColor 7.5-43W MR16 940 36D

## Lifetime



Life Expectancy Diagram - MAS LED ExpertColor 7.5-43W MR16 940 36D



Lumen Maintenance Diagram - MAS LED ExpertColor 7.5-43W MR16 940 36D

