


19630800	<b>DATA SHEET</b>	
Valid from: 29.08.2022	<b>EPIC® H-A 48 TS</b>	

## Description

- The large, robust housing for three inserts of size 16.



## General Characteristics

Series	H-A 48
Version	Hood
Locking	Bolts for double lever
Cable entry	1x lateral, see table
Gland body	See table
Protection (DIN EN 60529)	IP 65 (latched)
Temperature Range	-40°C to +100°C, short term up to +125°C

## Materials / Surfaces

Housing	Aluminium alloy, powder-coated, grey
Locking	Steel, zinc-plated
Gland body	Brass, nickel plated


## Standard

Safety Standard	IEC 61984
-----------------	-----------

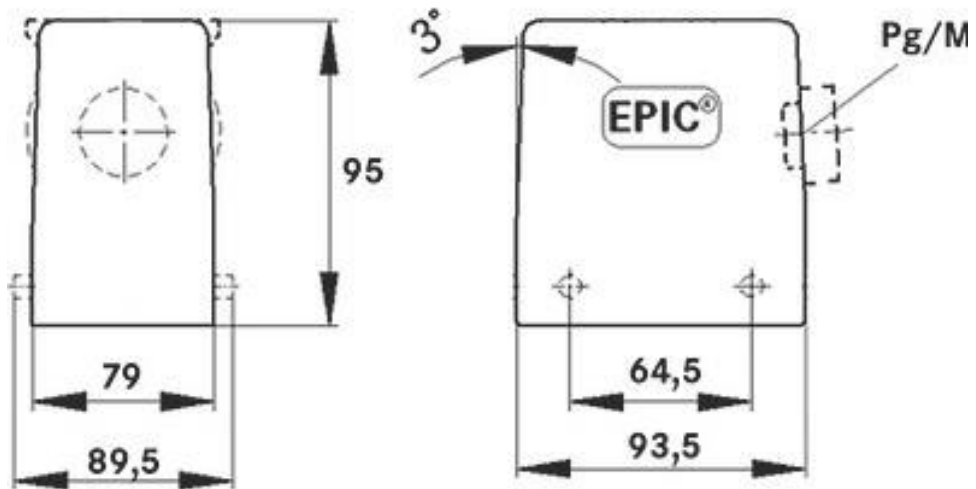
## Versions

Article number	Article description	Cable entry	Gland body
10630800	EPIC® H-A 48 TS 29 ZW	Pg 29	Yes
10630900	EPIC® H-A 48 TS 29	Pg 29	No
19630800	EPIC® H-A 48 TS M32	M32	No
19635600	EPIC® H-A 48 TS M40	M40	No

Creator: BEGE1/PDP Released: IVSE1/PDP	Document: DB19630800EN Version: 00	Page 1 of 2
---	---------------------------------------	-------------

19630800	<b>DATA SHEET</b>	
Valid from: 29.08.2022	EPIC® H-A 48 TS	

### Technical Drawings



Industrial machinery and plant engineering



Mechanical resistance



Robust



Waterproof

### Application range

Machine and equipment manufacturing, Control engineering

### Remark

Photographs are not to scale and do not represent detailed images of the respective products.

Creator: BEGE1/PDP Released: IVSE1/PDP	Document: DB19630800EN Version: 00	Page 2 of 2
---	---------------------------------------	-------------