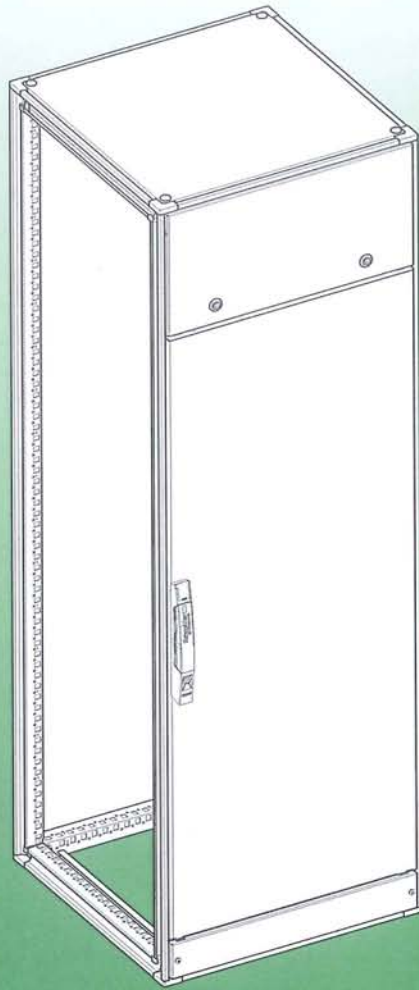


Folding Panel

Panneau Rabattant

Panel Abatible

HHH7314260001



**type 1**  
M4.2  
3 Nm  
26.55 lb-in



**type 2**  
M5 / T25  
3 Nm  
26.55 lb-in



**type 3**  
M6 / T30  
5 Nm  
44.25 lb-in



**type 4**  
M6 / T30  
5 Nm  
44.25 lb-in



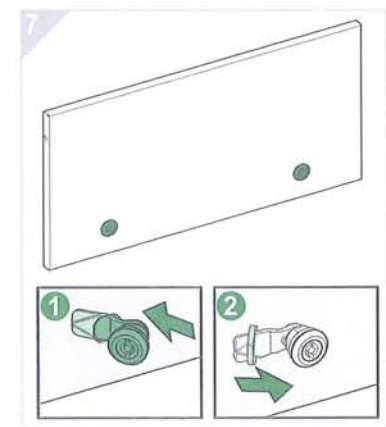
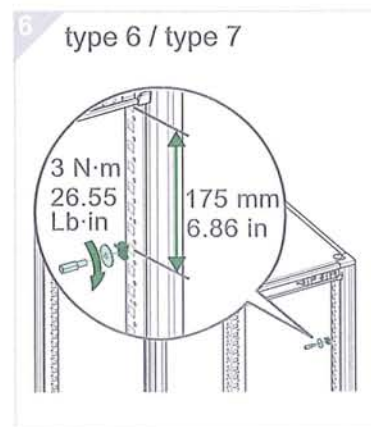
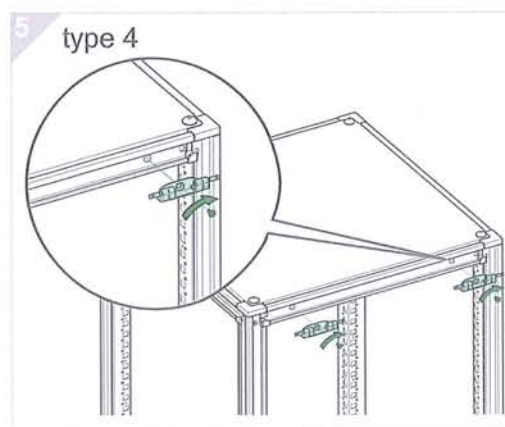
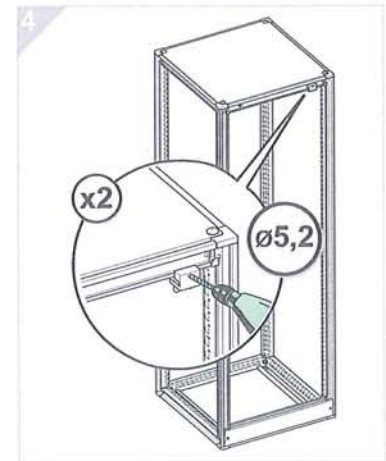
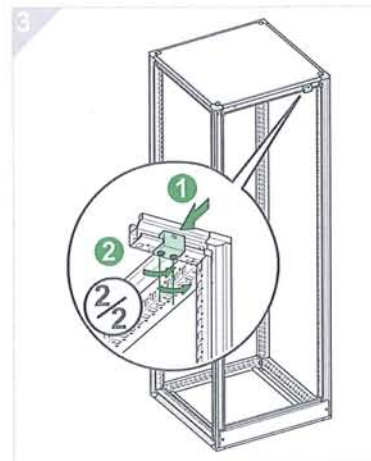
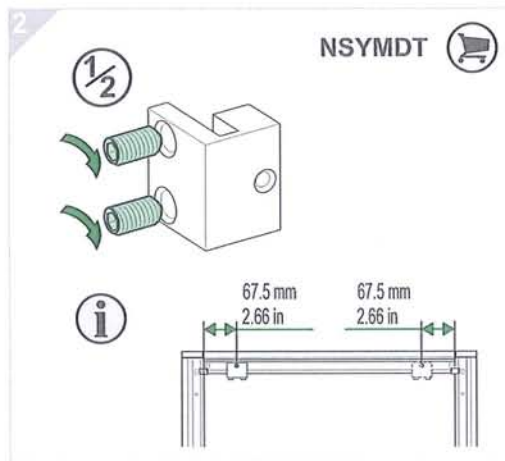
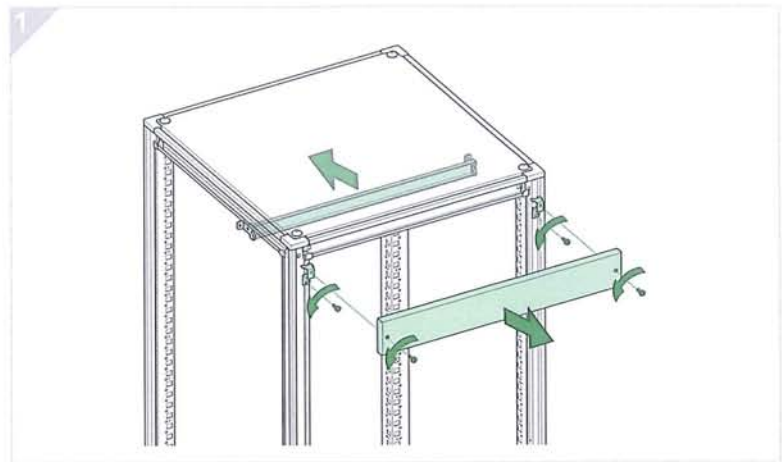
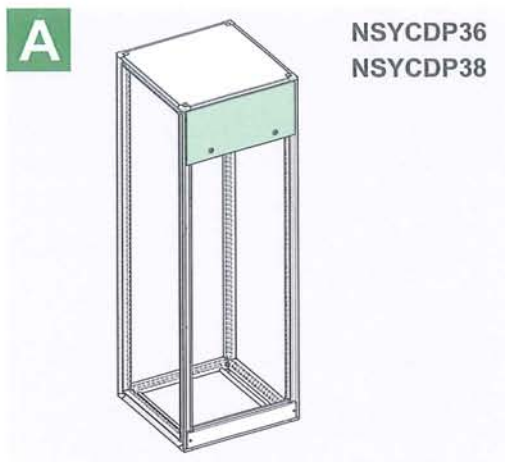
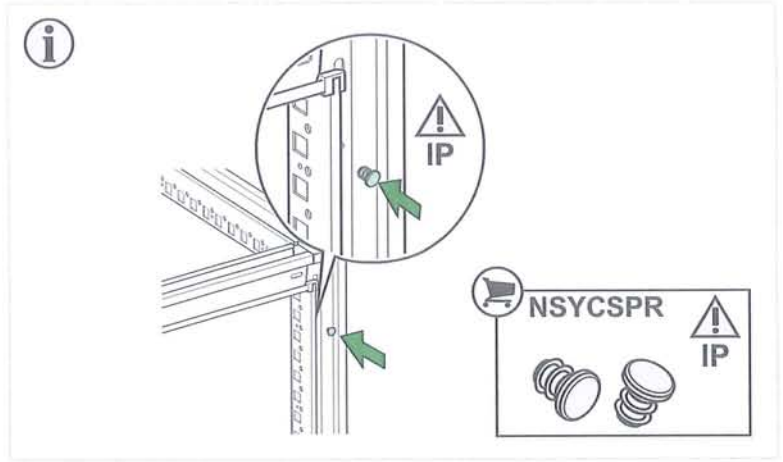
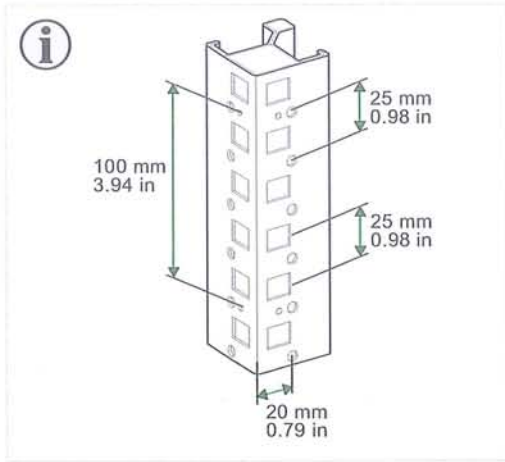
**type 5**  
diam. 6.5

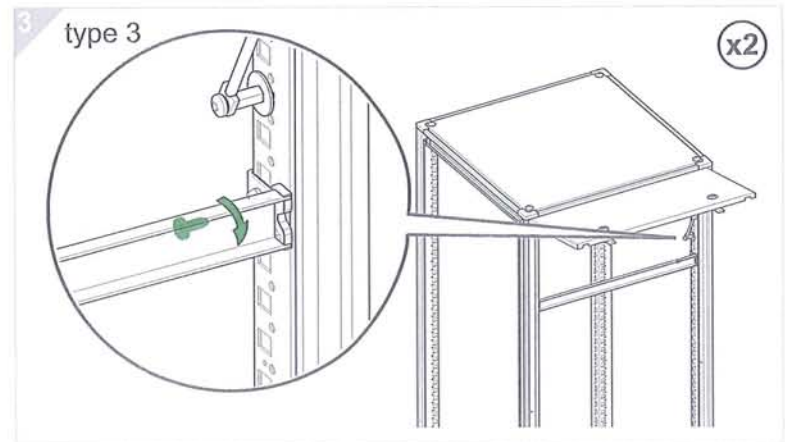
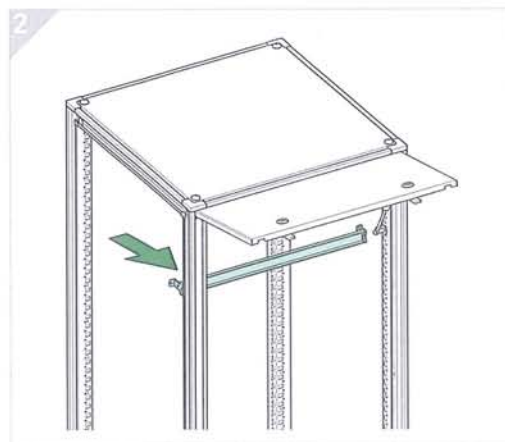
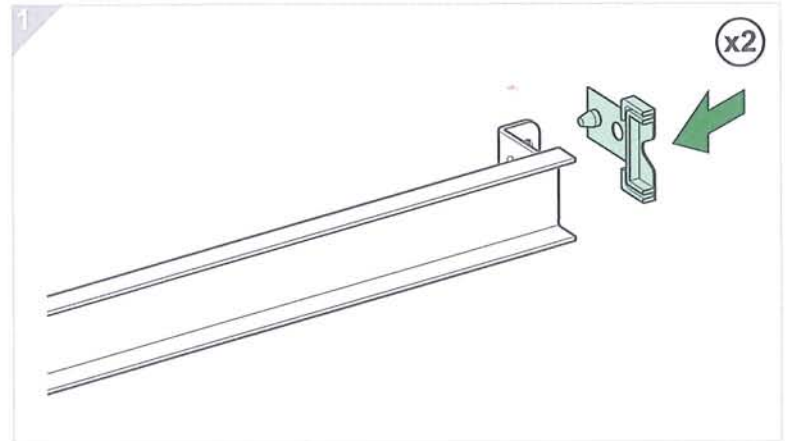
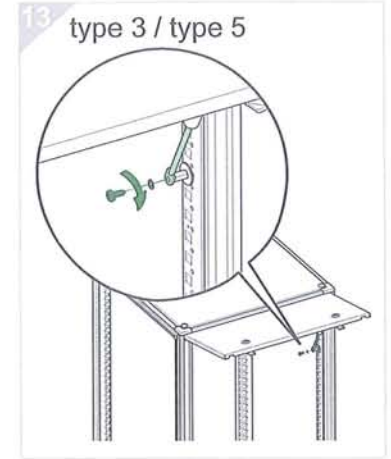
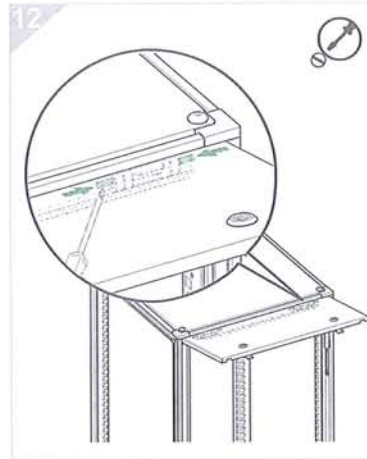
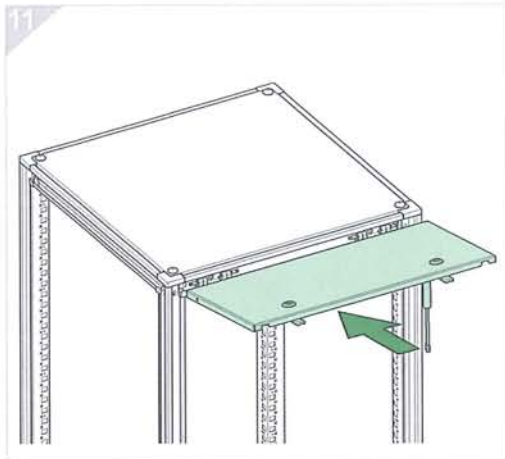
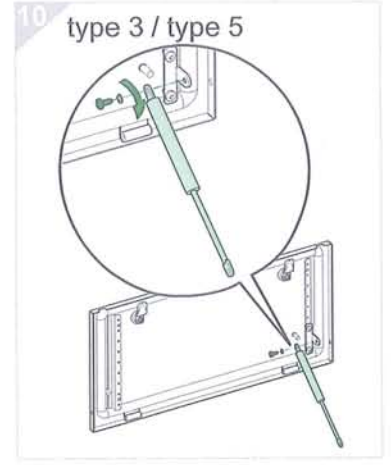
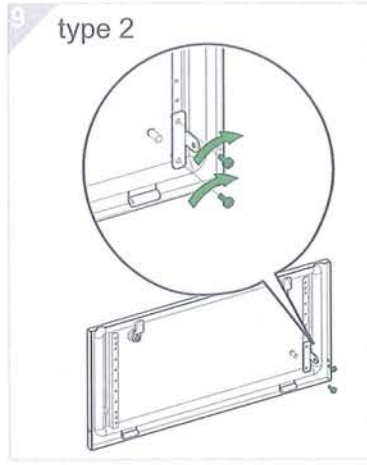
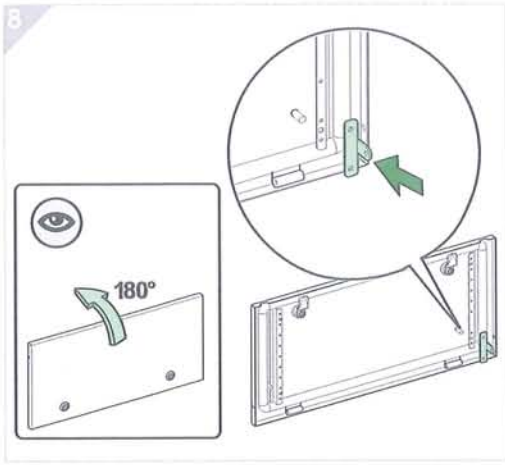


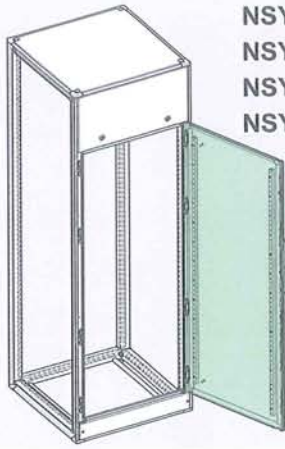
**type 6**  
diam. ext. 24



**type 7**  
M6





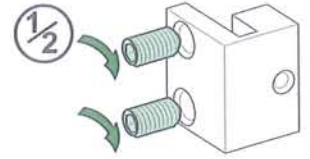
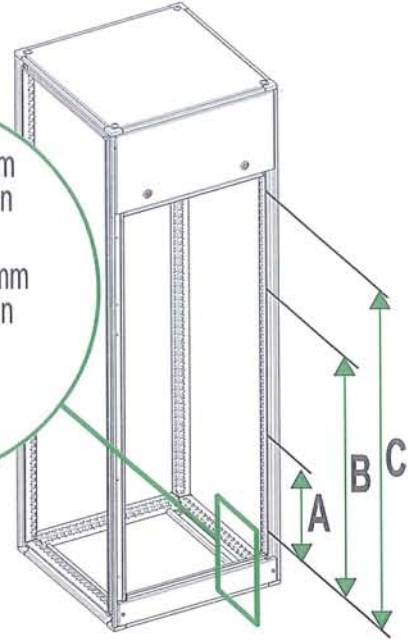
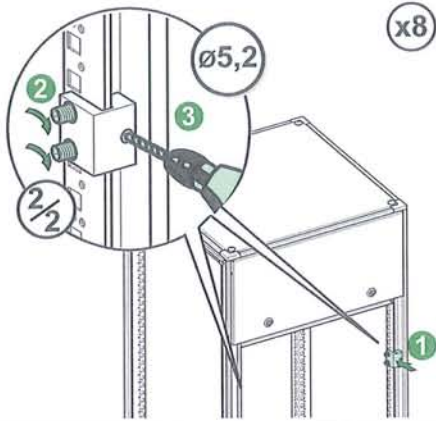
**C**

NSYMPD126  
NSYMPD146  
NSYMPD166  
NSYMPD168

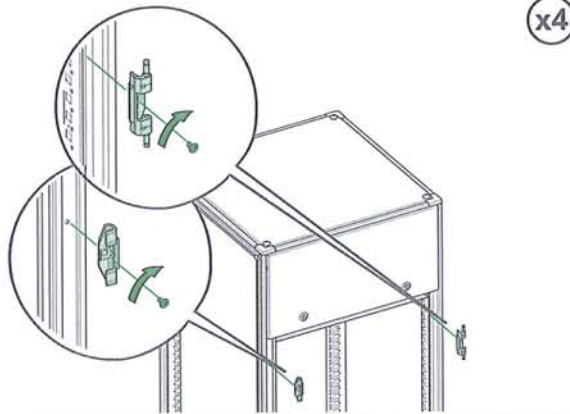
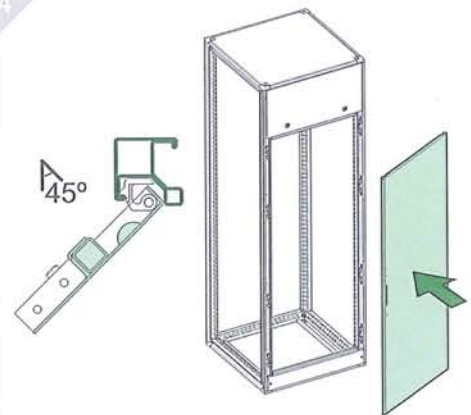
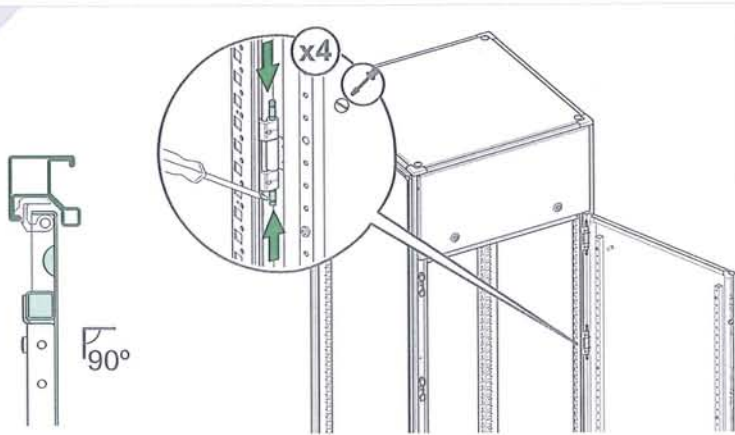
**1**

	1200	1400	1600
<b>A</b>	250 mm 9.84 in	350 mm 13.78 in	450 mm 17.72 in
<b>B</b>	775 mm 30.51 in	875 mm 34.45 in	975 mm 38.39 in
<b>C</b>	1125 mm 44.29 in	1225 mm 48.23 in	1325 mm 52.17 in

NSYMDT

**2****3**

type 4

**4****5****6**