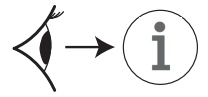
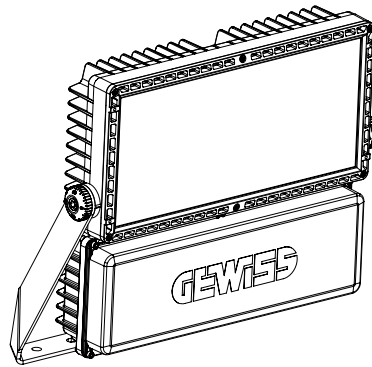


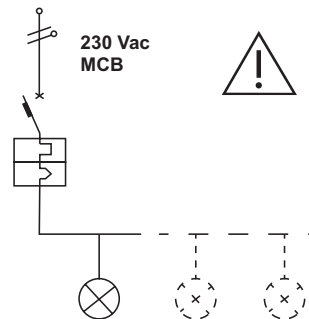
SMART PRO 2.0



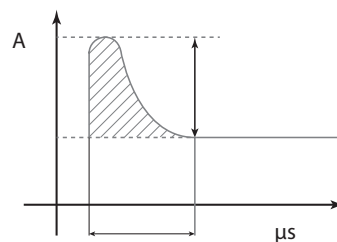
					V	I	W	t_a
	13	Max. 50 m	0,047 m ²	0,17 m ²	220-240 V 50/60 Hz	Max 0,7A	330W	Max 50°C



LED CCT	≤ 5700 K
Optics	RG1
S1	10 m
S2	10 m
A1	10 m
A2	10 m
A3	12,5 m
C4	11 m
C3	11 m
C2	11 m
C1	11 m



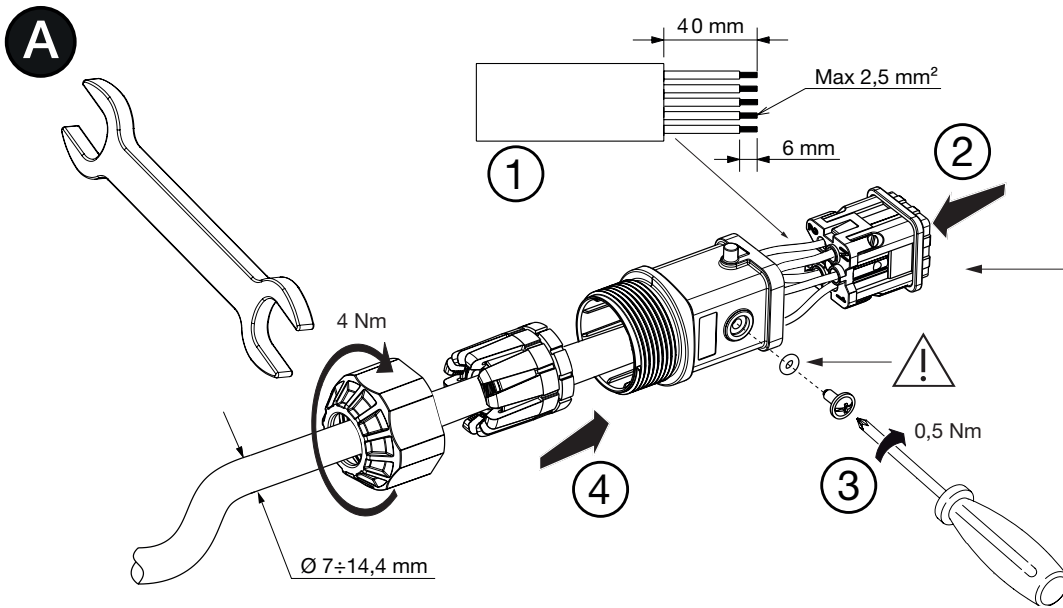
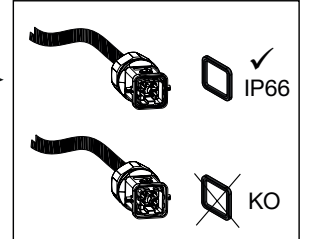
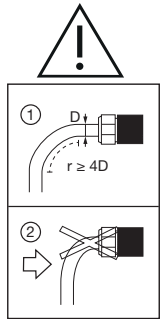
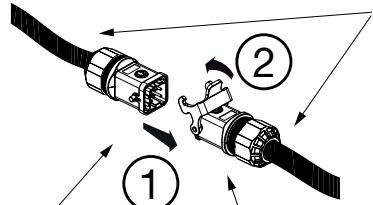
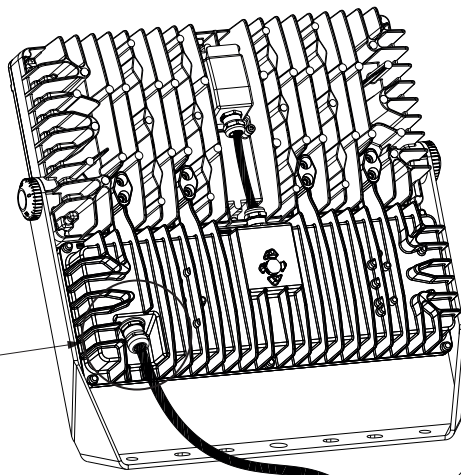
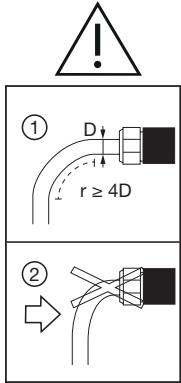
MCB Type B:	10A	16A	20A
	-	1	1
MCB Type C:	10A	16A	20A
	1	3	4
MCB Type D:	10A	16A	20A
	4	8	10



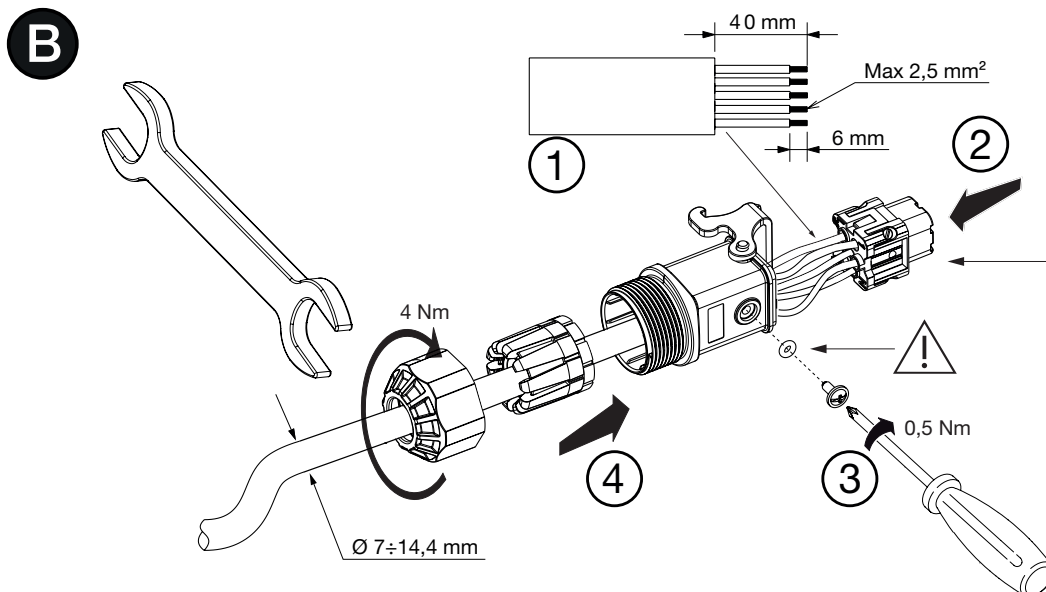
	I_{LED}	LED driver Inrush Current Peak and Width
1-10V	Max. 700 mA	60A / 400 μs
DALI	Max. 700 mA	13A / 1400 μs



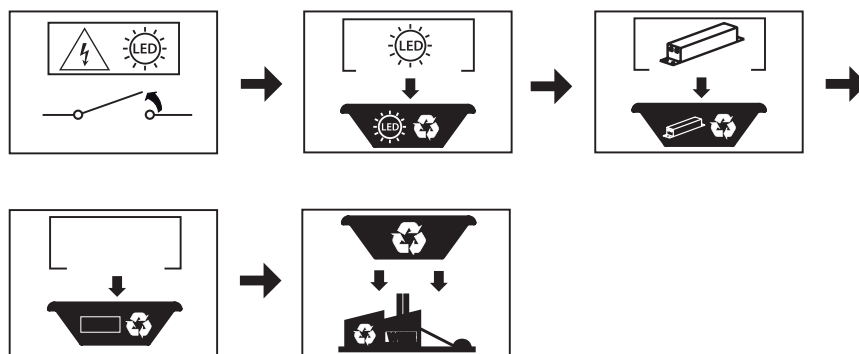
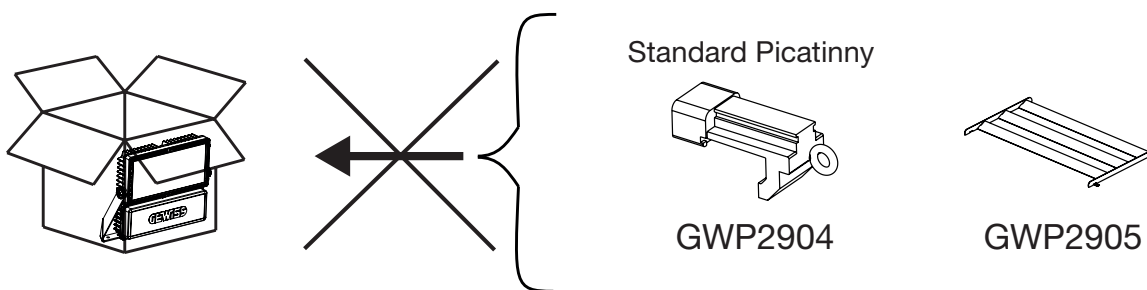
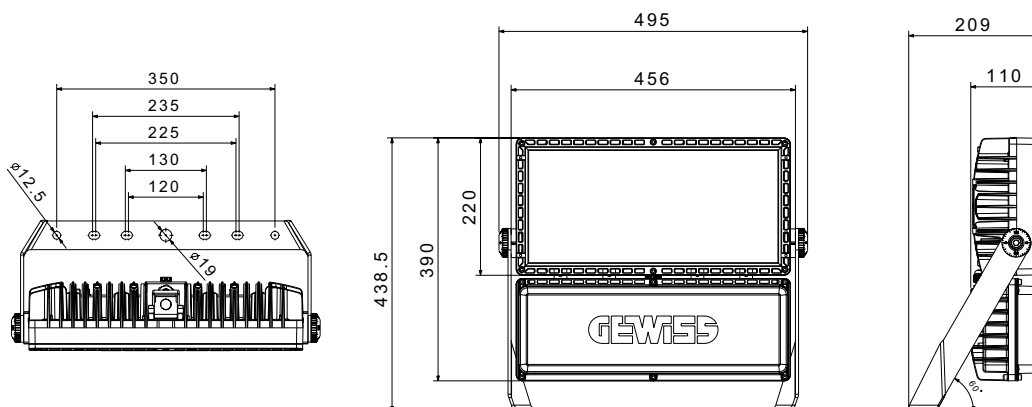
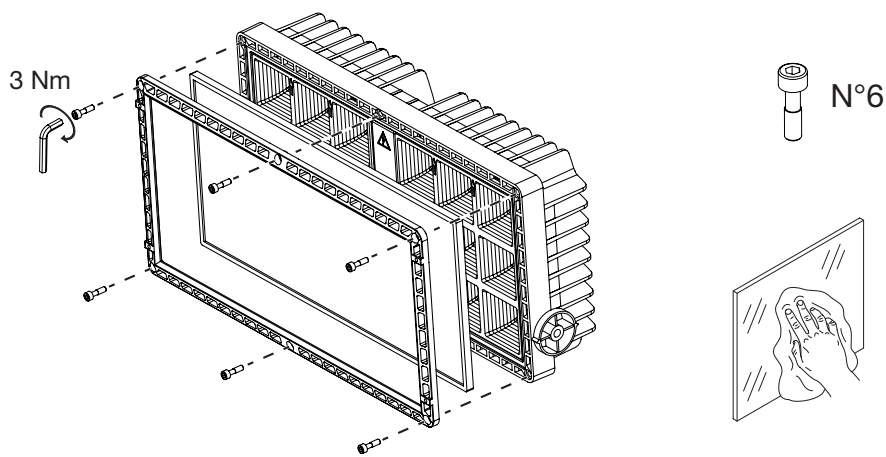
DIMMING 1-10V / DALI



		1-10V DALI	
L	=	L	L
N	=	N	N
⊕	=	⊕	⊕
②	=	+	DA+
①	=	-	DA-



		1-10V DALI	
L	=	L	L
N	=	N	N
⊕	=	⊕	⊕
②	=	+	DA+
①	=	-	DA-



Punto di contatto indicato in adempimento ai fini delle direttive e regolamenti UE applicabili:
 Contact details according to the relevant European Directives and Regulations:
 GEWISS S.p.A. Via A.Volta, 1 IT-24069 Cenate Sotto (BG) Italy tel: +39 035 946 111 E-mail: qualitymarks@gewiss.com

According to applicable UK regulations, the company responsible for placing the goods in UK market is:
 GEWISS UK LTD - Unity House, Compass Point Business Park, 9 Stocks Bridge Way, ST IVES
 Cambridgeshire, PE27 5JL, United Kingdom tel: +44 1954 712757 E-mail: gewiss-uk@gewiss.com

+39 035 946 11
 8:30 - 12:30 / 14:00 - 18:00
 lunedì - venerdì / monday - friday

www.gewiss.com

