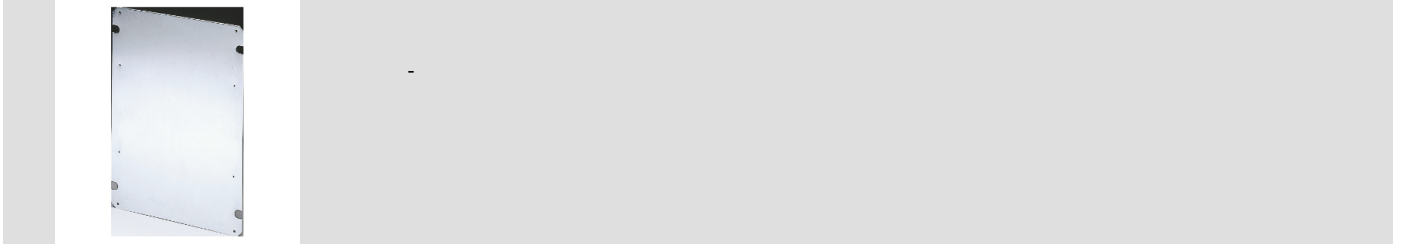


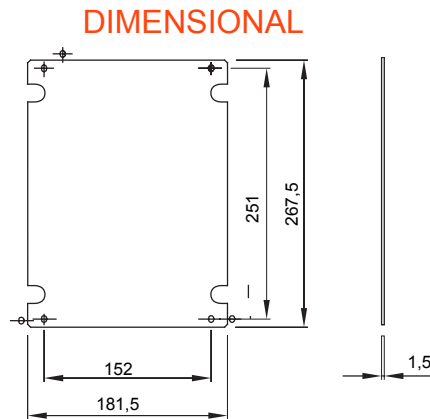
Product Data Sheet

GW44637

46 Range



For boards LxH (mm)	236x316	For boards	44 CEP
Type of material	Galvanized metal	Electrocod	1320



STANDARDS/APPROVALS

