

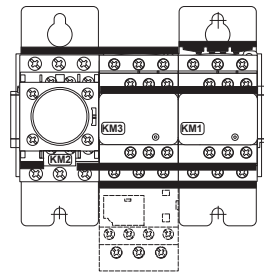
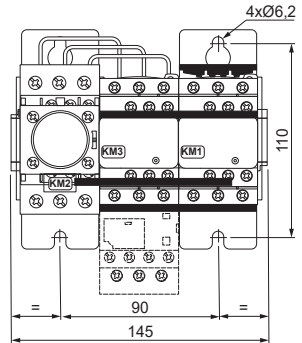
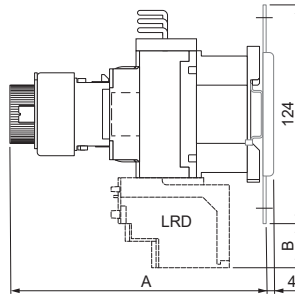
# LC3D09A/12A/18A/32A LC3D090A/120A/180A/320A

www.se.com

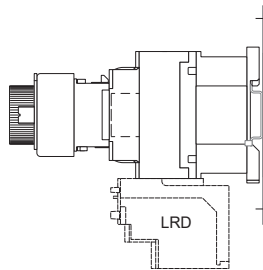


W903819390131

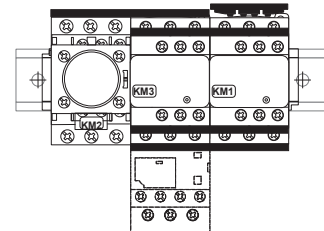
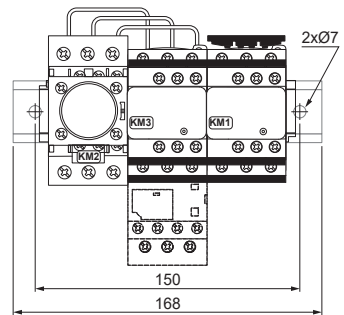
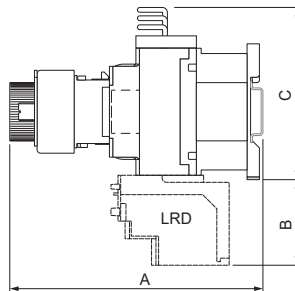
**LC3D09A / 12A**  
**LC3D18A / 32A**



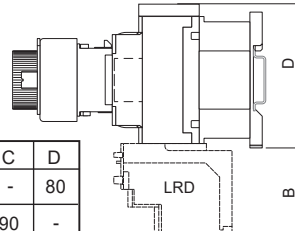
|               | A   | B  |
|---------------|-----|----|
| LC3D09A / 12A | 140 | 25 |
| LC3D18A       | 146 | 25 |
| LC3D32A       | 146 | 33 |




**LC3D090A / 120A**  
**LC3D180A / 320A**



|                 | A   | B  | C  | D  |
|-----------------|-----|----|----|----|
| LC3D090A / 120A | 141 | 51 | -  | 80 |
| LC3D180A        | 147 | 51 | 90 | -  |
| LC3D320A        | 147 | 57 | -  | 90 |



**Schneider**  
**Electric**

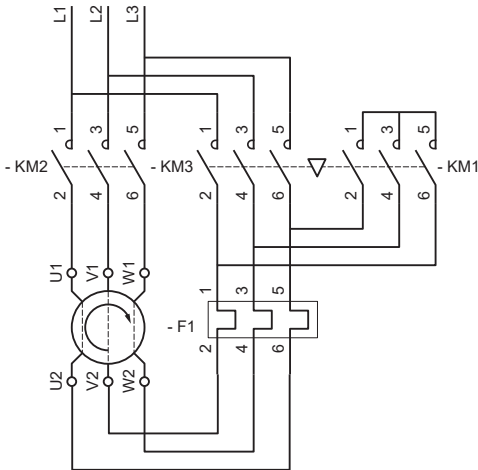
| LC3D   | 3 ~ 50/60 Hz AC3 |               |       |       | θ ≤ 60 °C |  |
|--------|------------------|---------------|-------|-------|-----------|--|
|        | 220/<br>230 V    | 380/<br>400 V | 415 V | 440 V | LRD ●●    | <br>a M (A) |
|        | kW               | kW            | kW    | kW    |           |  |
| 09/90  | 4                | 7,5           | 7,5   | 7,5   | 14        | 16   |
| 12/120 | 5,5              | 11            | 11    | 11    | 21        | 25   |
| 18/180 | 11               | 18,5          | 22    | 22    | 32        | 40   |
| 32/320 | 15               | 25            | 30    | 30    | 35        | 80   |

"For Motor Starting Use Schneider Electric Overload Relay Series LR".

Câblage relais/relay wiring : C = 2,5Nm.

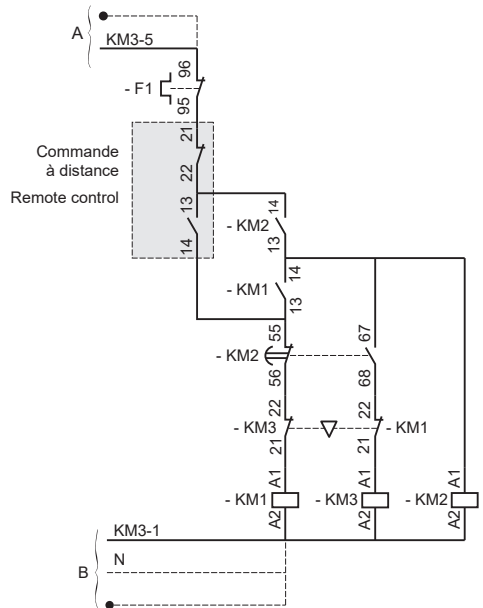
LC1D 25/32 :C = 2,5Nm.

### LC3D09A ... D32A LC3D090A ... D320A



### LC3D

Contrôle / Control : C = 1,7 N.m



|                                |  | Raccordements<br>Connections |        |
|--------------------------------|--|------------------------------|--------|
|                                |  | A                            | B      |
| 220 V, 230 V, 240 V            | LC3D09 à / to 32 et / and 090 à / to 320 | KM3-5                        | Neutre |
| ≥ 380 V                        | LC3D09 à / to 32 et / and 090 à / to 320 | KM3-5                        | KM3-1  |
| Autres tensions/Other voltages | LC3D09 à / to 32 et / and 090 à / to 320 | ●                            | ●      |