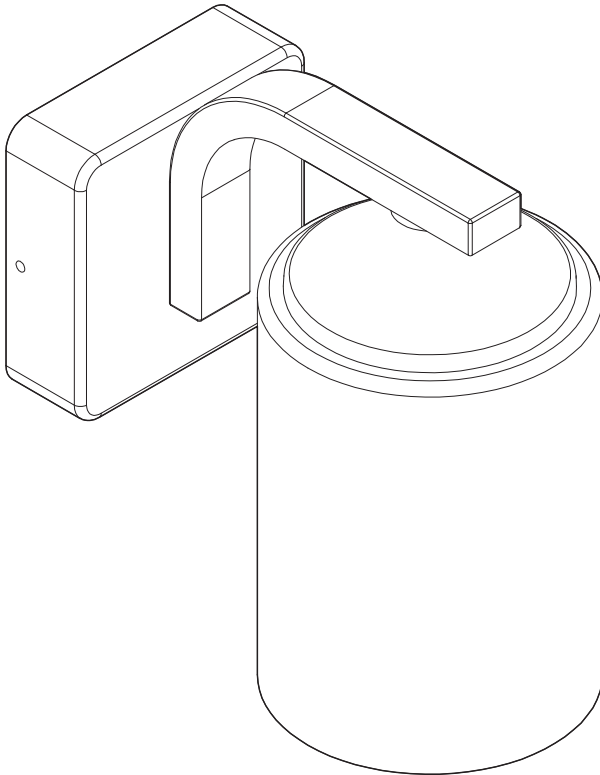


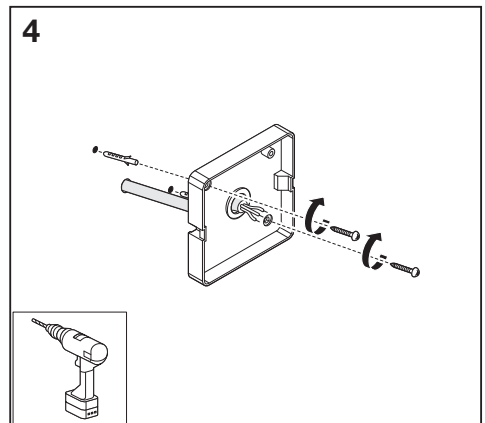
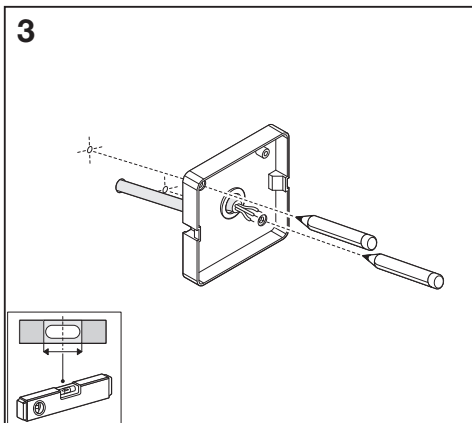
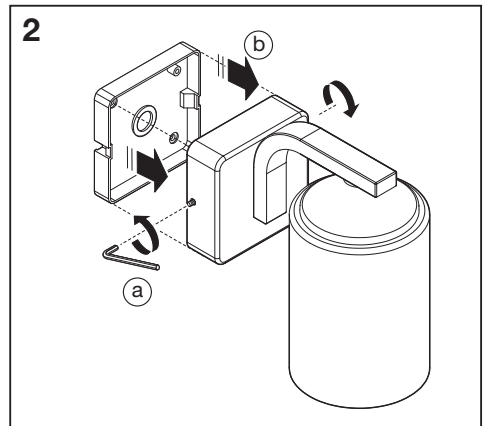
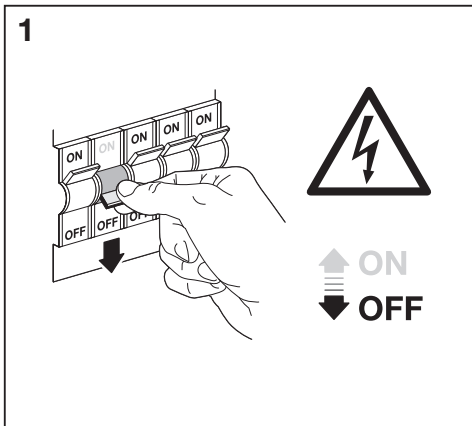
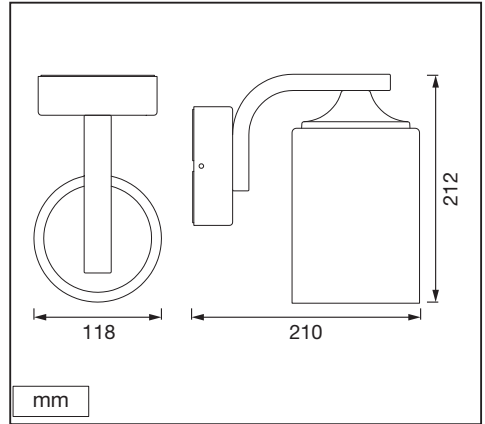
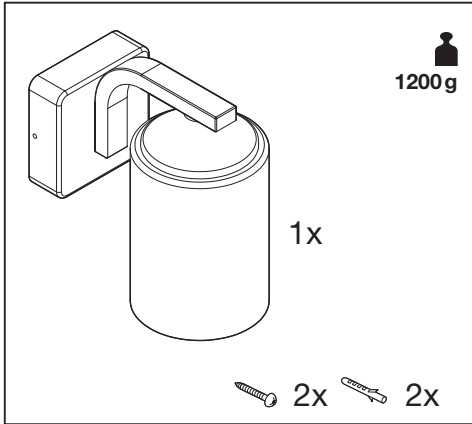
---

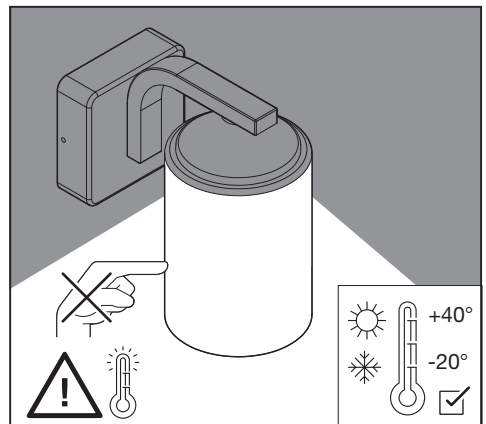
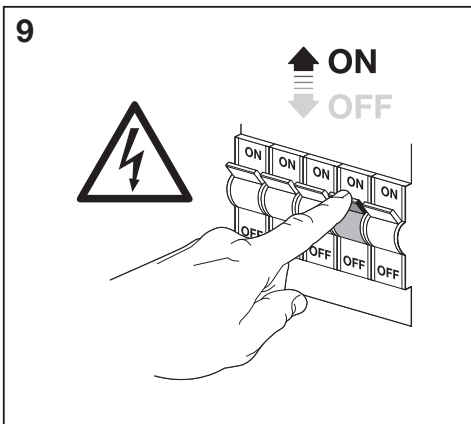
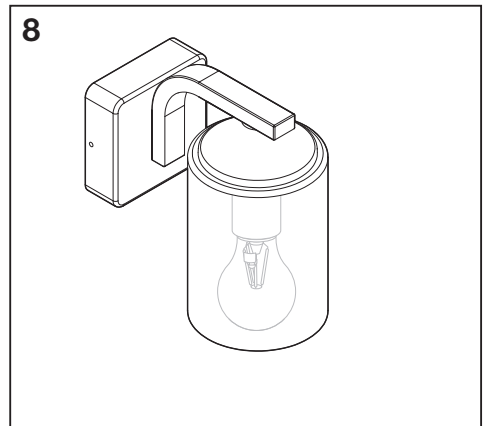
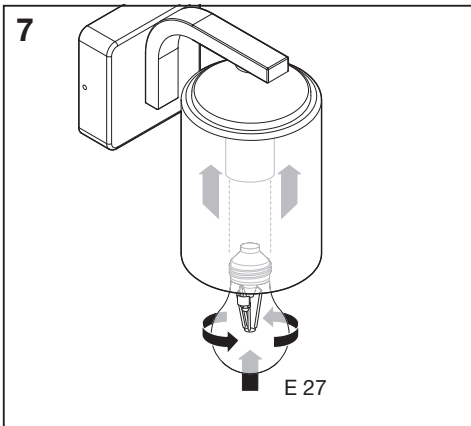
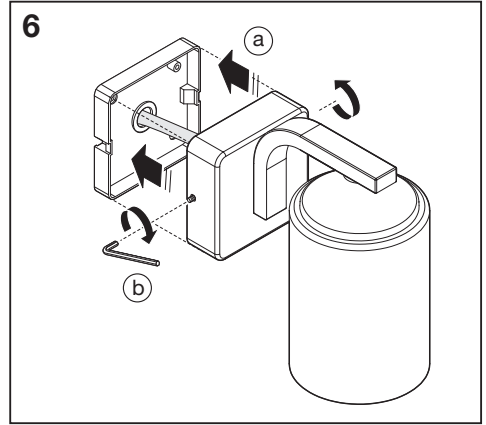
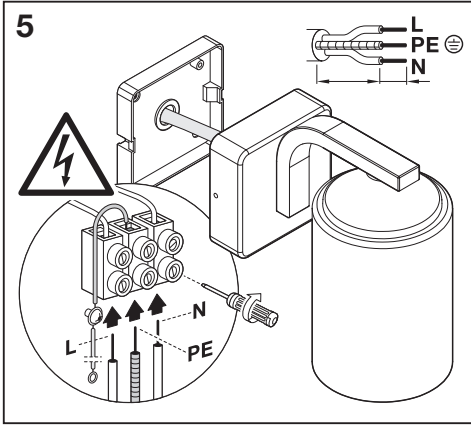
**ENDURA® CLASSIC  
LANTERN CYLINDER**


---



	<b>EAN</b>	<b>W max.</b>	<b>IP</b>	<b>Θ<sub>amb</sub> (°C)</b>	<b>V~</b>	<b>Hz</b>
<b>ENDURA® CLASSIC LANTERN CYLINDER E27 WT</b>	4058075392649	60W	43	-20...+40	220-240	50/60
<b>ENDURA® CLASSIC LANTERN CYLINDER E27 WD</b>	4058075392625	60W	43	-20...+40	220-240	50/60
<b>ENDURA® CLASSIC LANTERN CYLINDER E27 BK</b>	4058075392663	60W	43	-20...+40	220-240	50/60







IP43 RoHS

C10449057  
G11084836  
20.09.2019



LEDVANCE GmbH  
Steinerne Furt 62  
86167 Augsburg, Germany  
[www.ledvance.com](http://www.ledvance.com)