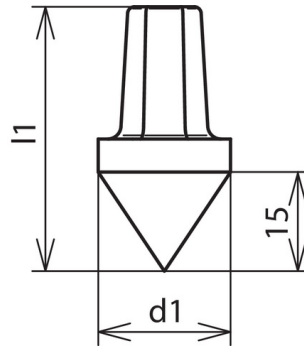


SSP TE 20 TGTZN (620 001)



Figure without obligation



Type	SSP TE 20 TGTZN
Part No.	620 001
Material	MCl/tZn
Type	for earth rods Ø20 mm or tubular earth rods St/tZn Ø27 mm
Dimensions (d1 x l1)	20 x 40 mm
Weight	36 g
Customs tariff number	85389099
GTIN	4013364021938
PU	100 Stk

We reserve the right to introduce changes in performance, configuration and technology, dimensions, weights and materials in the course of technical progress. The figures are shown without obligation.