

# Product Data Sheet

## GWD0978

90 ReStart Range



Description Automatic reclosing device

Code ResStart Rd PRO 2P

Suitable for IDP RCCBs - 2P up to 63 A - 100/300/500 mA

Rated voltage AC 230 V

Rated current 25 - 40 - 63 - 80 - 100 A

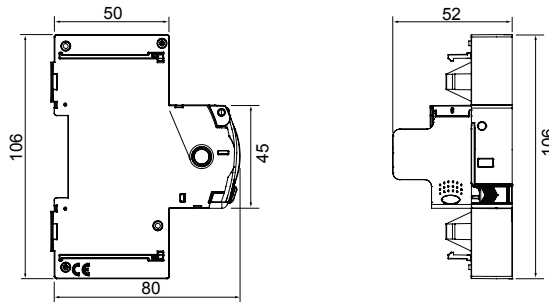
Rated current 0 A

No. modules 1

Standard EN 50557

Rated frequency (Hz)	50 - 60 Hz	Distribution system	TT - TN-S
Rated non-operating resistance between live parts and earth (Rdo)	2,5 kΩ	Insulation voltage	500 V
Rated operating resistance between live parts and earth (Rd)	5 kΩ	Rated impulse withstand voltage	4 kV
Maximum operating frequency	30 oper./h	Overvoltage category	III
Mechanical endurance	4000	Dielectric strength test voltage between pole and earth	2500 Vac for 1 minute
Type of residual current protection	AC - A - A[IR] - A[S] - F	Rated residual operating current	100/300/500 mA
Operating temperature	-5 +60 °C	Stocking temperature	-40 +70 °C
Automatic reclosure for untimely tripping	Yes	Earth failure test	Yes
Continuous system monitoring	Yes	Complete with	One device among: GWD0953 Wi-Fi Module - GWD0951 Auxiliary contact - GW90992 RS485 BUS Module
Number of poles	2P	Electrocod	1414
Compatibility with WiFi interface	Yes		

### DIMENSIONAL



### STANDARDS/APPROVALS



GEWISS S.p.A. Via A. Volta, 1  
24069 Cenate Sotto - Bergamo - Italy  
tel. +39 035 94 61 11 fax +39 035 94 69 09

www.gewiss.com  
sat@gewiss.com  
Last update 20/04/2023

Data, measures, designs and pictures are shown  
only as informative purposes,  
and could be changed without previous notice