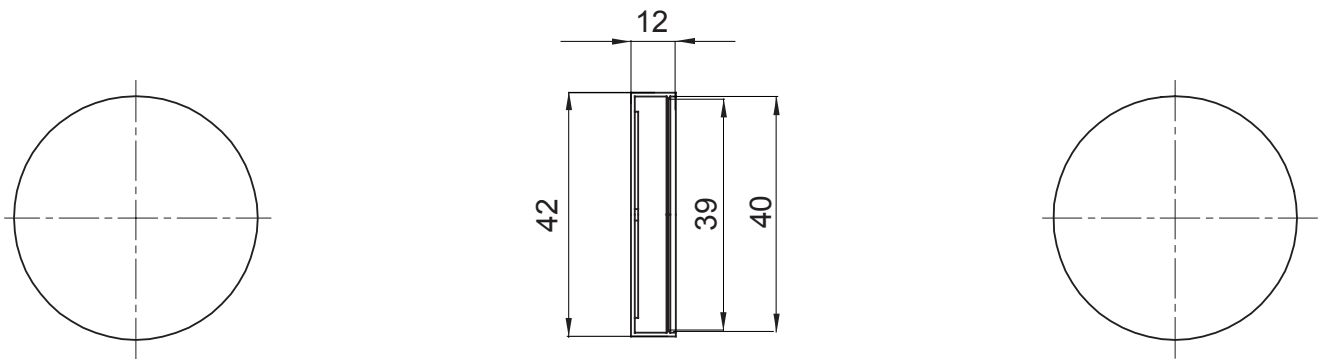




Colour	Grey RAL 7035	Material	PP
Conduits Ø (mm)	40	Electrocod	210

### DIMENSIONAL



### STANDARDS/APPROVALS

