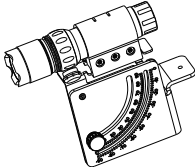


LED Flood Olympus Aiming-Device

Code	Model	
709098001800	FloodOly-P Aiming-Device	

Specification:

Voltage	Battery Type	Wave Length	Classification	Reaching Distance	Dimension	Weight
3V	CR123AW (excl.)	522 – 542nm	Class 3R(A)	Max. 300m	Ø36 × 120mm	144g

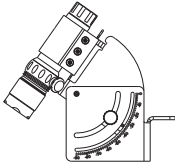
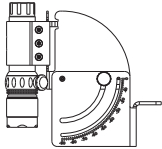
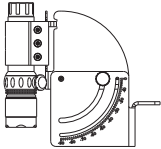
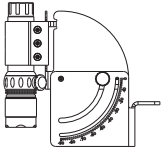
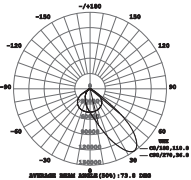
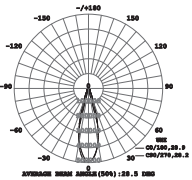
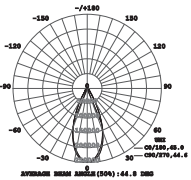
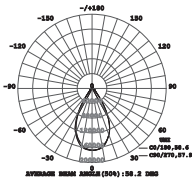
Safety Cautions:

LASER RADIATION

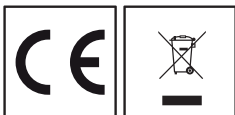
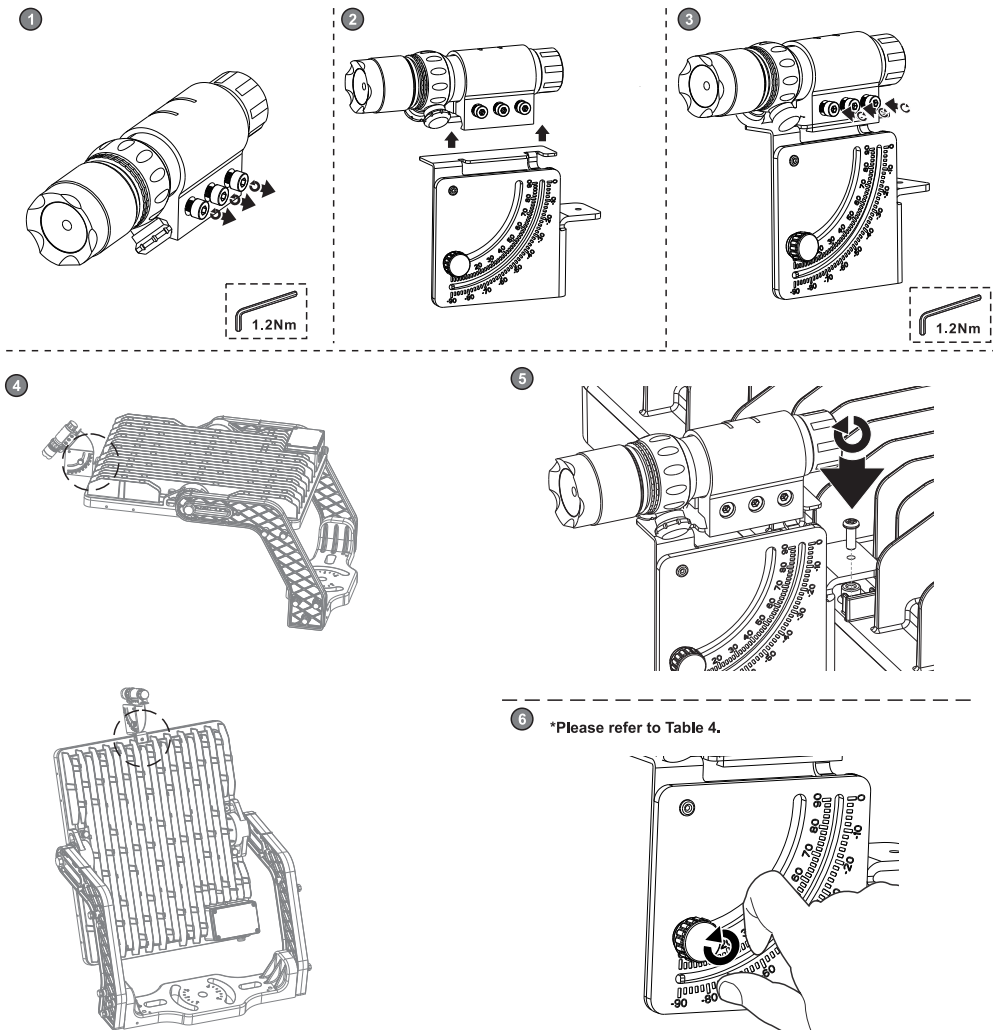
AVOILD DIRECT EYE EXPOSURE

CLASS 3R LASER PRODUCT

1. Never look directly into the laser beam.
2. Never point a laser beam at a person.
3. Do not aim the laser at reflective surfaces.
4. Never view a laser pointer using an optical instruments, such as binocular or a microscope.
5. Do not allow children to use laser pointers unless under the supervision of an adult.

Mounting Angle (Aiming Device Bracket)	65°	90°	90°	90°
Photometric Data (For Mounting Angle)				
Photometric Data (For Lens)				

Installation



Data subject to change
 Les données sont sujettes à modifications
 Änderungen vorbehalten

Opplé Lighting Electronic (Zhongshan) Co.,Ltd.
 Building A, No.275 Dongan Bei Road, Haizhou District,
 Guzhen Town, Zhongshan City, Guangdong Province, P.R.China

Opplé Lighting B.V.
 Meerenakkerweg 1-07
 5652 AR Eindhoven
 The Netherlands
 service@opple.com
 www.opple.com