

Safety Information

Electrical equipment should be installed, operated, serviced, and maintained only by qualified personnel. No responsibility is assumed by Schneider Electric for any consequences arising out of the use of this material.



Esmi Impresia White Wall Mounted Sounder

Esmi Impresia White Wall Mounted Sounder (FFS06741014) is an addressable wall mounted sounder with a built-in isolator module designed for installing in addressable fire alarm systems with Esmi ELC loop controller supporting Schneider Electric communication protocol. The sounder is compatible with fire bases Esmi Impresia Standard Base (FFS06741018) for ceiling mounting and Esmi Impresia Red IP65 Deep Base (FFS06741013) for wall mounting. EN 54-3 for indoor and outdoor use.

The address setting is done by the panel, QR code or handheld addressing device. The address range is 1-250.

For more technical information visit www.se.com.

Installation Instructions

Note: Collect the QR code stickers from the devices if QR codes are used for addressing of the devices.

- Follow the applicable local and national installation codes and regulations. Choose the proper place for installation of the device.
- Turn power off the loop circuit before installing the mounted sounder.
- Set the module address using programmer or directly from addressable fire panel.
- Mount the fire base on the ceiling or on the wall of the protected premises using fixings according the mounting surface.
- Connect the base to the fire panel using the wiring diagram.
- Insert the device into the base and rotate clockwise until it drops into place - the short mark on the base fits with that on the sounder body. Continue to rotate the sounder until its mark coincides with the long mark on the base - a click is heard.
- Program the device parameters.
- Test the sounder for proper operation.

Installation

IP43C (EN54-3)*
 IP65 (EN60529)**

Indoor use*
 Outdoor use**

-10°C ÷ +50°C
 ~183g

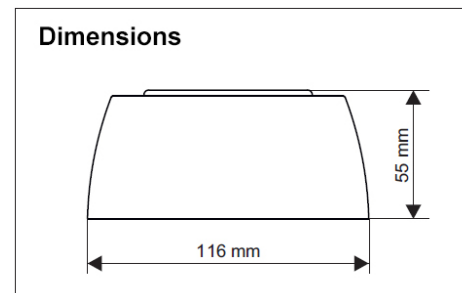
* When used with Esmi Impresia Standard Base
** When used with Esmi Impresia IP65 Red Deep Base

Essential Characteristics According to EN 54	Performance
Performance under fire conditions	Pass
Operational reliability	Pass
Durability:	
Temperature resistance	Pass
Humidity resistance	Pass
Shock and vibration resistance	Pass
Corrosion resistance	Pass
Resistance to ingress	Pass
Electrical stability	Pass

Technical Specifications

Operating Voltage Range 16 - 32VDC (Nom. 27VDC)
 Nominal consumption (stand-by) <500µA@27VDC
 Maximal consumption (main tone type 27):
 - low volume level <5mA
 - high volume level*. <16.5mA
 Maximal consumption (other tone types):
 - low volume level <4mA
 - high volume level <10mA
 Consumption with activated isolator. <15mA
 Power volume (main tone type 27):
 - low volume ~ 80dB (A) ± 6dB @ 1m
 - high volume*. ~ 92dB (A) ± 5dB @ 1m
 Power volume (other tone types):
 - low volume 75-85dB ± 3dB @ 1m
 - high volume. 80-95dB ± 3dB @ 1m
 Number of tone types. 32
 Wire Gauge for terminals 2.5mm²
 Relative humidity resistance (93 ± 3)% @ 40°C
 Color white
 Material ABS
 Supported communication protocol Esmi ELC
 * Note: Approved to EN 54-3 only!

₂₁
 1293
 DOP: DP20030
 Made in Bulgaria
 EN 54-3:2001
 EN 54-3:2001/A1:2002
 EN 54-3:2001/A2:2006
 EN 54-17:2005
 EN 54-17:2005/AC:2007
 Sounder Type A

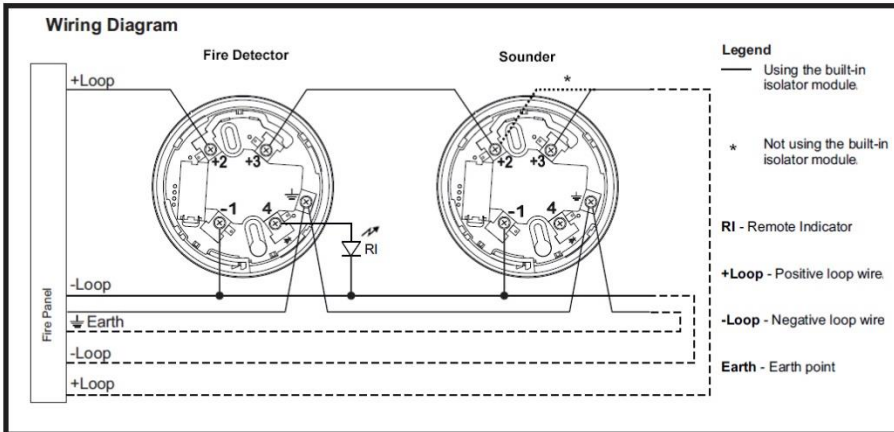
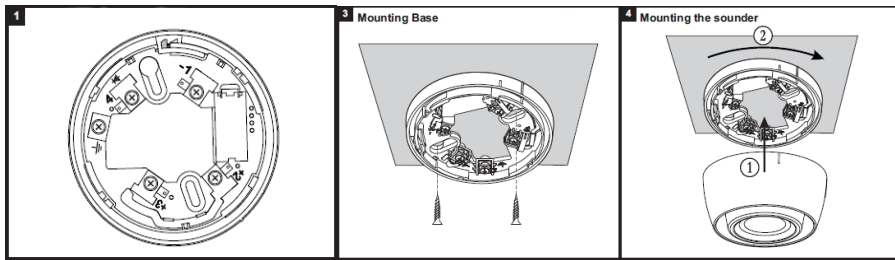
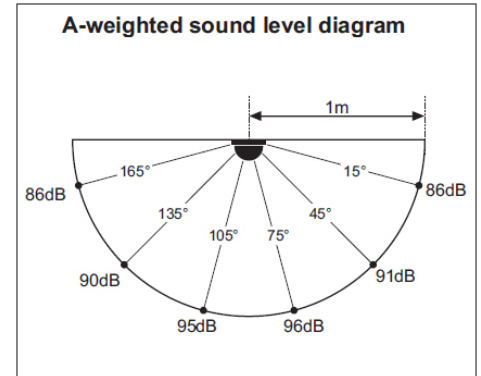


Isolator Module Technical Specifications

Maximum line voltage (<i>Vmax</i>)	32V
Nominal line voltage (<i>Vnom</i>)	28V
Minimum line voltage (<i>Vmin</i>)	16V
Maximum voltage at which the device isolates (<i>Vso max</i>)*	7.5V
Minimum voltage at which the device isolates (<i>Vso min</i>)*	5.9V
Maximum voltage at which the device reconnects (<i>Vsc max</i> **)	6.7V
Minimum voltage at which the device reconnects (<i>Vsc min</i> **)	5V
Maximum rated continuous current with the switch closed (<i>Ic max</i>)	0.7A
Maximum rated switching current (e.g. under short circuit) (<i>Is max</i>)	1.8A
Maximum leakage current with the switch open (isolated state) (<i>Ii max</i>)	16mA
Maximum series impedance with the switch closed (<i>Zc max</i>)	0.12Ω@28VDC and 0.15Ω@16VDC

* Note: Switches from closed to open

** Note: Switches from open to closed



Tone	Tone Type	Tone Description/Application
1	[Symbol]	970Hz
2	[Symbol]	800Hz/970Hz @ 2Hz
3	[Symbol]	800Hz - 970Hz @ 1Hz
4	[Symbol]	970Hz 1s OFF/1s ON
5	[Symbol]	970Hz, 0.5s/ 630Hz, 0.5s
6	[Symbol]	554Hz, 0.1s/ 440Hz, 0.4s (AFNOR NF S 32 001)
7	[Symbol]	500 - 1200Hz, 3.5s/ 0.5s OFF (NEN 2575:2000)
8	[Symbol]	420Hz 0.625s ON/0.625s OFF (Australia AS1670 Alert tone)
9	[Symbol]	500 - 1200Hz, 0.5s/ 0.5s OFF x 3/1.5s OFF (AS1670 Evacuation)
10	[Symbol]	550Hz/440Hz @ 0.5Hz
11	[Symbol]	970Hz, 0.5s ON/0.5s OFF x 3/ 1.5s OFF (ISO 8201)
12	[Symbol]	2850Hz, 0.5s ON/0.5s OFF x 3/1.5s OFF (ISO 8201)
13	[Symbol]	1200Hz - 500Hz @ 1Hz (DIN 33 404)
14	[Symbol]	400Hz
15	[Symbol]	550Hz, 0.7s/1000Hz, 0.33s
16	[Symbol]	1500Hz - 2700Hz @ 3Hz
17	[Symbol]	750Hz
18	[Symbol]	2400Hz
19	[Symbol]	660Hz
20	[Symbol]	660Hz 1.8s ON/1.8s OFF
21	[Symbol]	660Hz 0.15s ON/0.15s OFF
22	[Symbol]	510Hz, 0.25s/ 610Hz, 0.25s
23	[Symbol]	800/1000Hz 0.5s each (1Hz)
24	[Symbol]	250Hz - 1200Hz @ 12Hz
25	[Symbol]	500Hz - 1200Hz @ 0.33Hz
26	[Symbol]	2400Hz - 2900Hz @ 9Hz
27*	[Symbol]	2400Hz - 2900Hz @ 3Hz 2500Hz (main sound frequency)
28	[Symbol]	800Hz - 970Hz @ 100Hz
29	[Symbol]	800Hz - 970Hz @ 9Hz
30	[Symbol]	800Hz - 970Hz @ 3Hz
31	[Symbol]	800Hz, 0.25s ON/1s OFF
32	[Symbol]	600Hz - 1100Hz, 2.6s/0.4s OFF

* Note: Approved to EN 54-3 only!