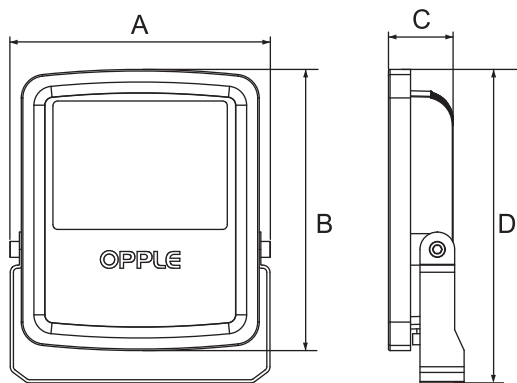


LED Floodlight Ecomax G2

Item Code	CCT	kg
543017012100	3000K	0.97Kg
543017012000	3000K	1.42Kg
543017011800	4000K	0.97Kg
543017011700	4000K	1.42Kg
543017011600	4000K	2.09Kg





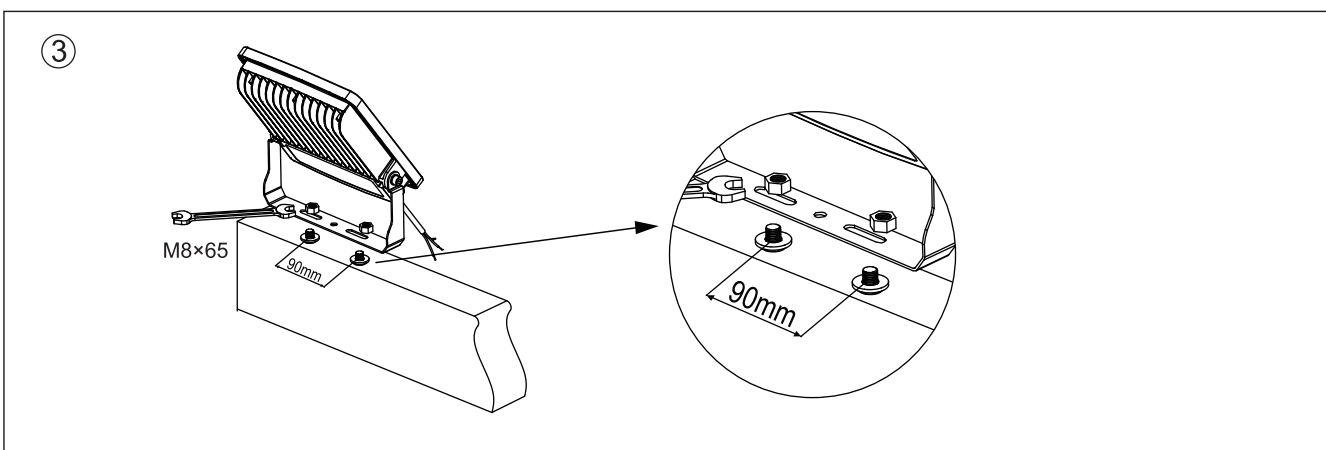
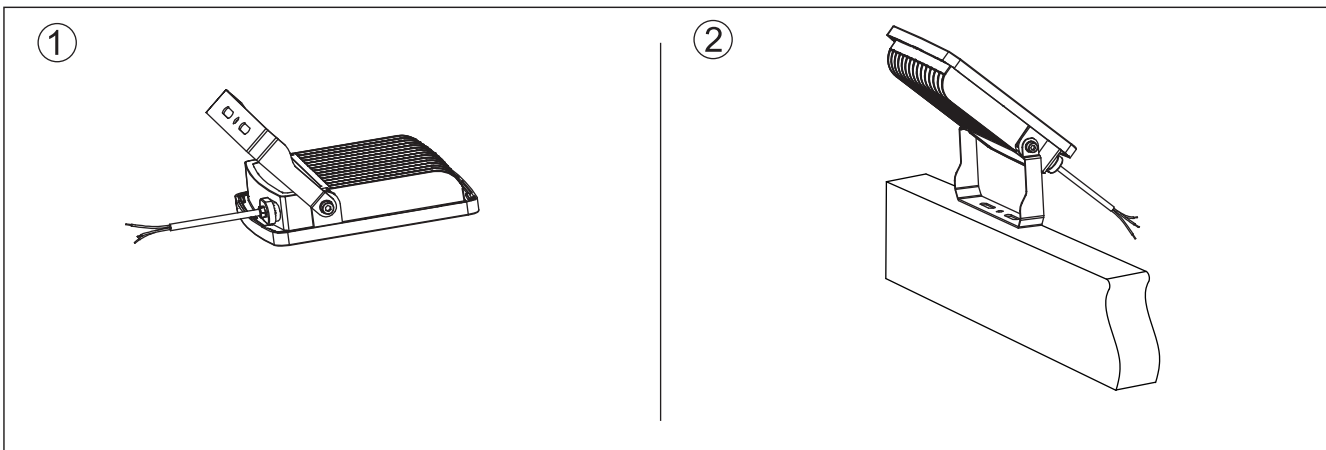
Model	A (mm)	B (mm)	C (mm)	D (mm)	MPA (m ²)
LED FL-E2 R199-30W	165	178	41	199	0.0294
LED FL-E2 R253-50W	202	228	46	253	0.0461
LED FL-E2 R283-70W	242	244	52	283	0.0590

MPA: Maximum Projected Area Of The Luminaire.

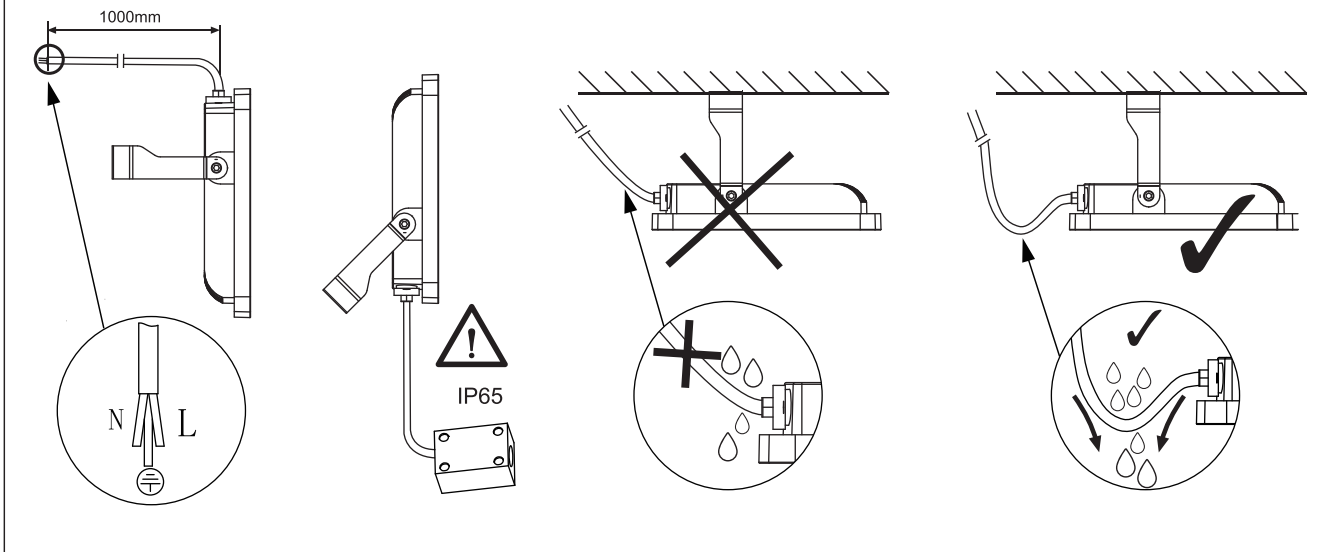
Model	Rated Voltage	Frequency	Rated Power
LED FL-E2 R199-30W	220-240V~	50/60Hz	30W
LED FL-E2 R253-50W	220-240V~	50/60Hz	50W
LED FL-E2 R283-70W	220-240V~	50/60Hz	70W

The product can be used in various applications such as warehouses, industrial lots, public areas, building facades, etc.

Please install the product at ≥ 3 meters position when used in indoor application.



- ④ Additional IP65 waterproof connection box (Not included in packaging) is necessary for power connection to ensure the waterproof performance and safety. The connection box and terminal block in it should conform to EN 60998-2-1 or EN 60998-2-2 (Purchase Separately). The terminal should be adapted to 0.75-1.5mm² wire.



- a) Operating position: yards, buildings, squares, etc.
 b) Range of mounting heights: from ground to buildings.



In case of broken glass the luminaire should be disposed of.

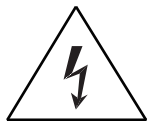


In case of damage to the wire, it has to be replaced only by the manufacturer, distributor or by an expert, to avoid risks.

Caution: Any operation on LED module is forbidden while power-on.

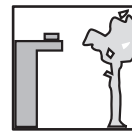
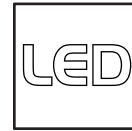
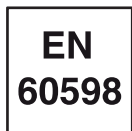
Zur Vermeidung von Risiken müssen defekte Leitungen ausschließlich vom Hersteller, Inverkehrbringer oder Fachmann ausgetauscht werden.

Achtung: In Betrieb ist keine Arbeit am LED-Modul erlaubt.



For non-user replaceable light sources.

The light source contained in this luminaire shall only be replaced by the manufacturer or his service agent or a similar qualified person.



Data subject to change
 Les données sont sujettes à modifications
 Änderungen vorbehalten

Opplé Lighting Electronic (Zhongshan) Co., Ltd.
 528422
 Building A, No.275 Dongan Bei Road,
 Haizhou District, Guzhen Town,
 Zhongshan City, Guangdong, China.

OPPLE Lighting B.V.
 Materiaalweg 6-6A
 5681 RJ Best
 The Netherlands
 service@opple.com
 www.opple.com