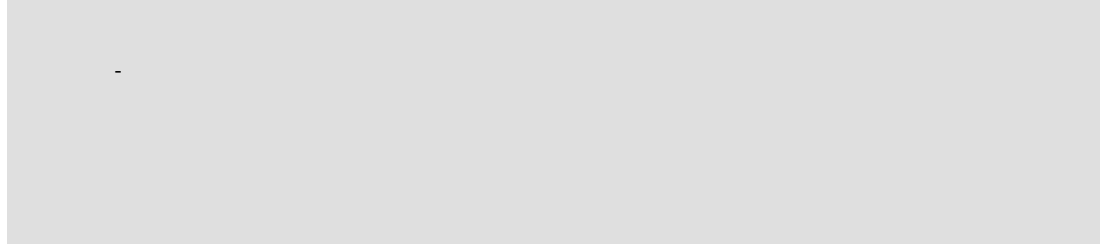


Product Data Sheet

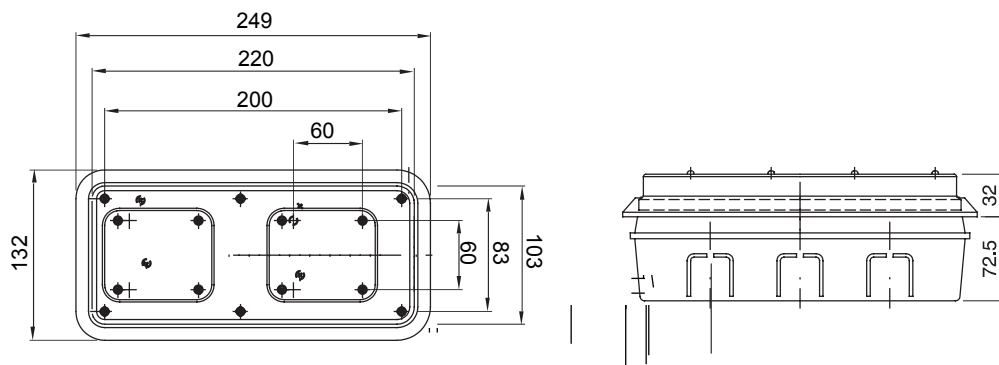
GW66743N

IB Range



For walls	Plasterboard	Glow Wire Test	650 °C
IP degree	IP55	Mechanical resistance	IK08
Electrocod	2222	Houseable IB socket-outlets	N. 1 IEC 309 16-32A IP44/67 + N.1 16A MAX 3P+E or GW27401/GW27403
Drilling bottom	Through multidiameter cutter	Minimum installation temperature	-15 °C

DIMENSIONAL



TECHNICAL SYMBOLOGY

GWT **IP** **IK**

650 °C

IP55

IK08

STANDARDS/APPROVALS

