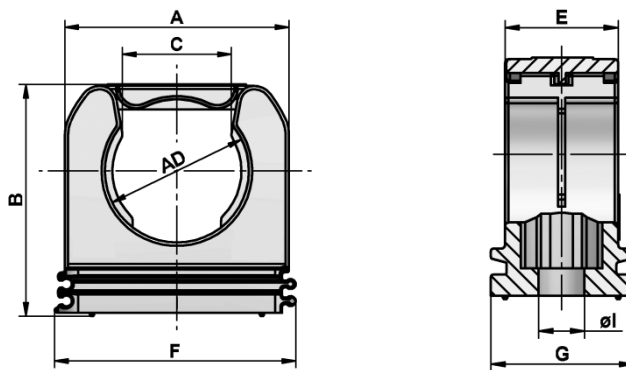


65500630	<b>DATA SHEET</b>	
Valid from: 03.07.2018	<b>SILVYN® KLICK-RH</b>	

The SILVYN® KLICK-RH is a polyamide conduit clamp, the product warranted a simple and fast assembling and disassembling. In addition, the one-piece has a high tensile strength.

- Material:** PA 6
- Features:** impact resistant
- Temperature range:** -40°C up to +115°C
- Colour:** Black (UV-Resistant)  
Grey (RAL 7001)



**Dimensions table:**

Part No.	Part name	A mm	B mm	C mm	AD mm	F mm	E mm	Ø I mm	G mm
<b>Grey</b>									
6550 0630	SILVYN® KLICK-RH 10	21	23,5	8,5	10	23	16	5,5	20
6550 0631	SILVYN® KLICK-RH 13	25	25	9,2	13	27	16	5,5	20
6550 0632	SILVYN® KLICK-RH 16	27	27	11,2	15,8	29	16	6,5	20
6550 0633	SILVYN® KLICK-RH 18	31	31,5	12,7	18,5	32	16	6,5	20
6550 0634	SILVYN® KLICK-RH 21	33	34	16,1	21,2	35	16	6,5	20
6550 0635	SILVYN® KLICK-RH 28	40	40,5	20,5	28,5	42	16	6,5	20
6550 0636	SILVYN® KLICK-RH 34	46	46,9	25,7	34,5	48	16	6,5	20
6550 0637	SILVYN® KLICK-RH 42	55	55	30	42,5	57	16	6,5	20
6550 0638	SILVYN® KLICK-RH 54	67	69,5	38	54,5	69	16	6,5	20
<b>Black</b>									
6550 0639	SILVYN® KLICK-RH 10	21	23,5	8,5	10	23	16	5,5	20
6550 0640	SILVYN® KLICK-RH 13	25	25	9,2	13	27	16	5,5	20
6550 0641	SILVYN® KLICK-RH 16	27	27	11,2	15,8	29	16	6,5	20
6550 0642	SILVYN® KLICK-RH 18	31	31,5	12,7	18,5	32	16	6,5	20
6550 0643	SILVYN® KLICK-RH 21	33	34	16,1	21,2	35	16	6,5	20
6550 0644	SILVYN® KLICK-RH 28	40	40,5	20,5	28,5	42	16	6,5	20
6550 0645	SILVYN® KLICK-RH 34	46	46,9	25,7	34,5	48	16	6,5	20
6550 0646	SILVYN® KLICK-RH 42	55	55	30	42,5	57	16	6,5	20
6550 0647	SILVYN® KLICK-RH 54	67	69,5	38	54,5	69	16	6,5	20

**Suitable:** SILVYN® Rill

For more information please see our current catalogue. Please do not hesitate to contact our laboratory if there are any questions regarding resistance against aggressive agents and special oil.

Creator: M. Wegerer /PDP Released: DAMU1/PDP	Document: DB65500630EN Version: 01	Page 1 of 1
---	---------------------------------------	-------------