


21700138	<b>DATA SHEET</b>	
Valid from: 17.06.2020	<b>ETHERLINE ACCESS U04TP01T</b>	

## Description

- Fast Ethernet PoE (Power over Ethernet) Network-Switch (10/100BaseT(X)), unmanaged
- Ports: 5x RJ45 (of which 4x RJ45 PoE-capable acc. IEEE802.3at/af)
- Switch usable as end-span PSE with max. 30 W per port
- Suitable for harsh industrial environments (Protection class IP30)



## General characteristics

### Interfaces & buttons

#### 5x RJ45 Port:

1x 10/100BaseT(X) auto-negotiation, full-/ halfduplex-mode and Auto-MDI/MDI-X-connection  
 4x 10/100BaseT(X) auto-negotiation, full-/ halfduplex-mode and Auto-MDI/MDI-X-connection and PoE-enabled (according to IEEE802.3af/at max. 30 W per port)

#### 2x DIP switch:

Activate/deactivate Broadcast Storm Protection  
 Activate/deactivate Jumbo Frames

### Switch properties

MAC- table size: 8 K  
 packet-buffer size: 1 Mbit  
 packet forwarding rate: 0.744 Mpps  
 Jumbo Frame-Size: 10 KB (max.)

### Temperature range

operating temp.: -40°C to +75°C (-40°F to 167°F)  
 Storage temperature: -40°C to +85°C (-40°F to 185°F)

### Relative humidity

5% to 95 % (non-condensing)

### Standards

IEEE 802.3i (10BaseT)  
 IEEE 802.3u (100BaseTX)  
 IEEE 802.3af/at (PoE)

### Type of data transmission

Store and Forward

### MTBF (mean time between failures)

2.638.081 Std @ Telcordia (Bellcore), GB

## Power requirements

### Connection

1 removable 4- pole terminal block

### Input voltage

24VDC (12-36VDC)

### Power Consumption (max.)

5.5 W (without PD)  
 60 W (at 12 V DC, max. 15 W per port)  
 120 W (at 24 V DC, max. 30 W per port)

### Input current (max.)

0.5 A (without PD)  
 6 A (with PD)

### PD (Powered Device) Detection and classification

support

### PoE overload current protection

support


### Reverse polarity protection

support

### Redundancy protection

support

Creator: FELI1/PDP Released: IVSE1/PDP	Document: DB21700138EN Version: 00	Page 1 of 2
---	---------------------------------------	-------------

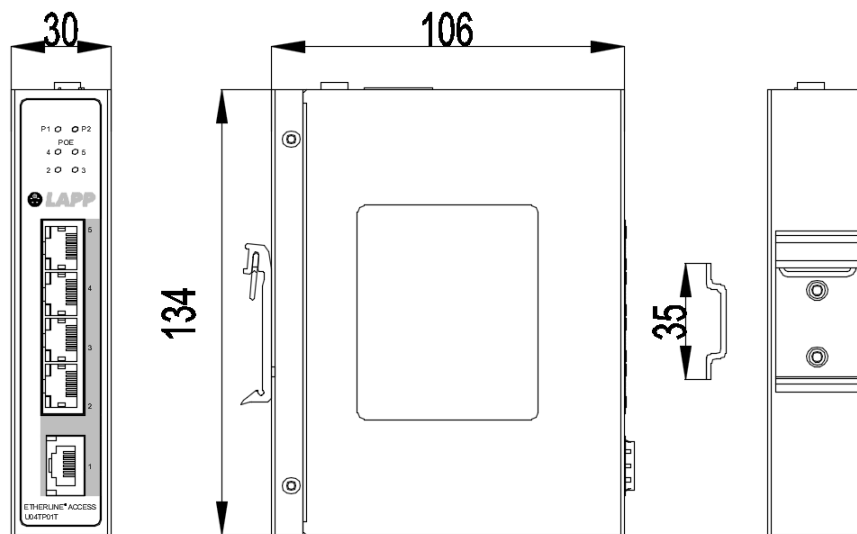
21700138	<b>DATA SHEET</b>	
Valid from: 17.06.2020	<b>ETHERLINE ACCESS U04TP01T</b>	

### Physical properties

Housing	metal
IP class	IP30
Weight	0.5 kg
Installation	DIN-rail mounting

### Technical drawing

Dimensional drawing (U04TP01T)



### Standards and approvals

Safety	UL6 1010 (pending)
EMC	EN55032/CISPR22 Class A
EMI	FCC CFR47 Part 15
EMS	IEC 61000-4-2 ESD: contact: 6kV / air: 8kV IEC 61000-4-3 RS: 80Mhz to 2GHz: 10V/m IEC 61000-4-4 EFT/Burst: Power: 2kV / Signal: 1kV IEC 61000-4-5 Surge: Power: 1kV / Signal: 1kV IEC 61000-4-6 CS: 10V (150 kHz – 80 MHz)
Vibration	according IEC 60068-2-6
Shock	according IEC 60068-2-27
Free fall	according IEC 60068-2-31
Approvals	CE UL (Pending) FCC

### Application range

Automation, industrial machinery and plant engineering

### Note

Photographs are not to scale and do not represent detailed images of the respective products.

Creator: FELI1/PDP Released: IVSE1/PDP	Document: DB21700138EN Version: 00	Page 2 of 2
---	---------------------------------------	-------------