

## DLH SS 8 H36 FG180.280 BR CU (204 247)

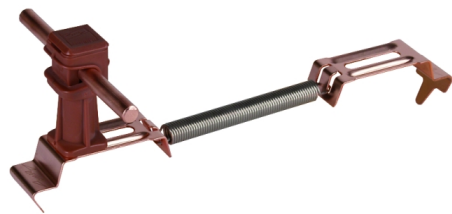
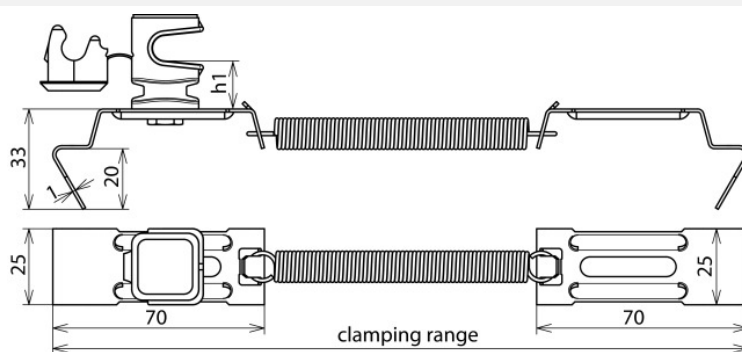


Figure without obligation



Type	DLH SS 8 H36 FG180.280 BR CU
Part No.	204 247
Material of roof conductor holder	Cu
Clamping range of ridge tile width	180-280 mm
Height of conductor holder (h1)	36 mm
Material of conductor holder	plastic
Colour of conductor holder	brown •
Conductor support Rd	8 mm
Length of supporting claw	20 mm
Type of conductor holder	DEHNsnap
Conductor routing	loose
Application note	laterally adjustable conductor leading
Weight	72 g
Customs tariff number	85389099
GTIN	4013364041806
PU	25 Stk

We reserve the right to introduce changes in performance, configuration and technology, dimensions, weights and materials in the course of technical progress. The figures are shown without obligation.