

WOJP00412

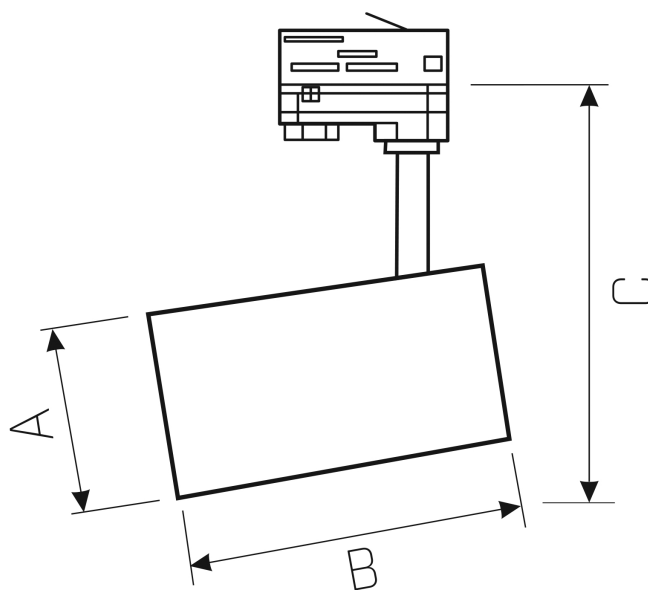
WOJP00412



Power	19 W	Voltage	230 V
Colour temperature	3000 K	Colour of light	WW
Beam angle	24 °	Degree of protection (IP)	IP20

Technical data

Code	WQJP00412
Power	19 W
Nominal current	0.0909 mA
Voltage	230 V
Energy consumption	19 kWh/1000h
Frequency	50HZ Hz
Protection class	I
Power supply included	Yes
Manufacturer of power supply	TCI
Power factor	0.93
Useful luminous flux*	2660 lm (360°)
Luminous flux**	2090 lm (360°)
Lamp efficacy	140 lm/W
Colour temperature	3000 K
Colour of light	WW
Beam angle	24 °
RA	80
Light source included	Yes
Producer of LED diodes	CREE
Uniformity of color SDCM max	3
Dimmable	No
Working temperature range	-20/+40 °
Lifespan	50000 h
Housing material	Aluminum
Degree of protection (IP)	IP20
Colour	Black
Dimension (AxBxC)	0130x220x245 mm
For use	Inside
Assembly method	on track
Application	Inside
Made in	PL



Related documents



 Declaration of Conformity