

Detector Base Sounder Strobe BSS-PR-x33

Instruction Sheet
R10041GB0



Schneider Electric Fire & Security Oy

Sokerilinnantie 11 C
FI-02600 Espoo, Finland
Tel: +358 10 446 511
Website: www.schneider-electric.com
Document number: R10041GB0
Published: 09.04.2019

© 2018 – Schneider Electric. All Rights Reserved. This information is only to be used as guidance. Subject to changes and errors.

Contents

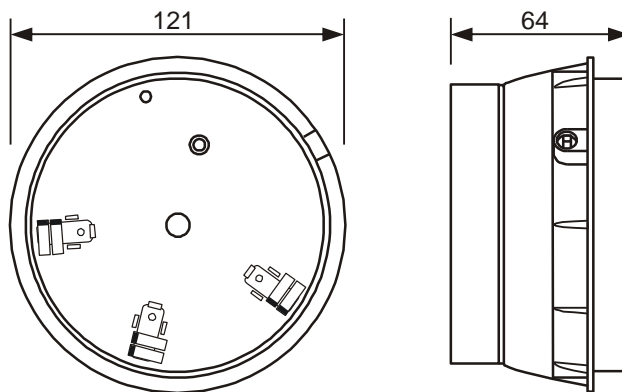
1	Detector Base Sounder Strobe BSS-PR-x33	4
1.1	Mechanical dimensions.....	4
1.2	Volume and tone setting (WSO-, BSO- and BSS-).....	4
1.3	Product codes	7

1 Detector Base Sounder Strobe BSS-PR-x33

Intelligent AP200 series alarm devices for Esmi Sense FDP and FX 3NET fire detection system.

The intelligent AP200 series alarm devices are used in the Esmi Sense FDP and FX 3NET fire detection system. They have been designed to reduce significantly the total cost of installation. Product performance has been optimised to allow the maximum permissible number of devices to be installed on an intelligent loop.

1.1 Mechanical dimensions



BSO-PP-xxx, BSS-PR-xxx

1.2 Volume and tone setting (WSO-, BSO- and BSS-)

Volume setting is selected by SW6 and SW7 of the 8 way DIP switch (see table 1). The appropriate tone set is selected by SW1 to 5 of the 8 way DIP switch (see table 2). The 2nd stage tone (related to the 1st stage tone) is controlled by the fire panel via the protocol.

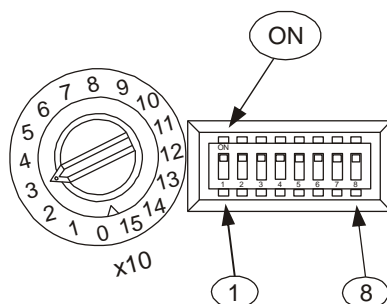


Table 1

SW6	SW7	Volume setting
OFF	OFF	High
OFF	ON	Medium
ON	OFF	Low
ON	ON	Low

OFF = 0, ON = 1

Table 2

DIP setting O=Off/1=On SW 1,2,3,4,5	No	Pattern	Nominal Frequency	Switching Frequency	Description	Standard	2 nd Stage Tone
0,0,0,0,0	1	Alternating	554/440	2Hz (100ms/400ms)	French Fire Sound AFNOR	NFS 32-001	7
1,0,0,0,0	2	Alternating	800/970	1Hz		BS5839 Pt1	8
0,1,0,0,0	3	Alternating	800/970	2Hz	Alternating tone telecoms	BS5839 Pt1 FP1063.1	8
1,1,0,0,0	4	Alternating	2400/2900	3Hz	Alternating High Frequency		10
0,0,1,0,0	5	Alternating	2500/3100	2Hz	Security Alarm		10
1,0,1,0,0	6	Alternating	988/645	2Hz			8
0,1,1,0,0	7	Continuous	660		All Clear		1
1,1,1,0,0	8	Continuous	970			BS5839 Pt1	2
0,0,0,1,0	9	Continuous	1200				2
1,0,0,1,0	10	Continuous	2850		HF Continuous		4
0,1,0,1,0	11	Sweep	500 - 1000	Raising from 150Hz to 1000Hz in 10 seconds, then 40 seconds at 1000Hz, then falling from 1000Hz to 150Hz in 10 seconds, then 20 seconds at 150 Hz, then repeating. Total period 80 seconds.	"Gasalarm" Tone		22
1,1,0,1,0	12	Intermittent	420	0.625s on, 0.625s off	AS2220 alert tone	AS2220	13
0,0,1,1,0	13	Sweep	500-1200	0.25s off, 3.75s off	AS2220 evacuate tone	AS2220	12
1,0,1,1,0	14	Intermittent	660	3.33Hz 150ms on, 150ms off	Swedish Alarm Tone		7
0,1,1,1,0	15	Intermittent	970	0.8Hz 0.25s on, 1s off	Intermittent Tone	BS5839 Pt1	8
1,1,1,1,0	16	Intermittent	970	0.5Hz 1s on, 1s off	Backup alarm LF & BS5839 Pt1	BS5839 Pt1	8
0,0,0,0,1	17	Intermittent	2850	1Hz	Backup alarm HF & BS5839 Pt1 2nd Tone	BS5839 Pt1	10
1,0,0,0,1	18	Intermittent	970	1Hz 500ms on, 500ms off	BS5839 Pt1	BS5839 Pt1	8

0,1,0,0,1	19	Intermittent	950	0.22Hz (0.5s on, 0.5s off)*3, 1.5s off		ISO8201	12
1,1,0,0,1	20	Continuous	800	4Hz 150ms on, 100ms off		BS5839 Pt1	22
0,0,1,0,1	21	Sweep	400-1200	(0.5s on, 0.5s off)*3, 1.5s off	Temporal 3 Evacuation tone	ISO8201 Temporal 3	12
1,0,1,0,1	22	Sweep	1200 - 500	0.99Hz 1s on, 0.01s off	Evacuate, DIN tone & PFEER	DIN, PFEER	20
0,1,1,0,1	23	Sweep	2400 - 2850	7Hz	Fast Sweep Vds	Vds	10
1,1,1,0,1	24	Sweep	500 - 1200	0.5sec off 3.5sec on	Slow whoop evacuate Netherlands	NEN 2575	8
0,0,0,1,1	25	Sweep	800 - 970	50Hz	LF buzz BS5839 Pt1	BS5839 Pt1	8
1,0,0,1,1	26	Sweep	800 - 970	7Hz	Fast sweep LF BS5839 Pt1	BS5839 Pt1	8
0,1,0,1,1	27	Sweep	800 - 970	1Hz	Medium sweep LF buzz BS5839 Pt1, Vds	BS5839 Pt1 VdS	8
1,1,0,1,1	28	Sweep	2400 - 2850	50Hz	High frequency buzz		10
0,0,1,1,1	29	Sweep	500 - 1000	7Hz	Fast whoop		8
1,0,1,1,1	30	Sweep	500 - 1200 - 500	0.166 Hz rise 1 s, stable 4s, fall 1s	Siren style tone		8
0,1,1,1,1	31	Sweep	800 - 1000	2Hz			8
1,1,1,1,1	32	Sweep	2400 - 2850	1Hz			10

Table 3

DIP setting 0=Off/1=On SW 1,2,3,4,5	No	Typical current consumption					
		Wall mount devises			Detector base mount devises		
		(WSO)	(WSO)	(WSO)	(BSO/BSS)	(BSO/BSS)	(BSO/BSS)
		High	Medium	Low	High	Medium	Low
0,0,0,0,0	1	6.0/9.3	2.5/5.8	1.2/4.5	6.4/9.7	2.2/5.5	1.1/4.4
1,0,0,0,0	2	5.4/8.7	2.9/6.2	1.4/4.7	4.5/7.8	2.0/5.3	1.3/4.6
0,1,0,0,0	3	5.3/8.6	2.8/6.1	1.4/4.7	4.4/7.7	2.0/5.3	1.3/4.6
1,1,0,0,0	4	5.3/8.6	2.6/5.9	1.7/5.0	4.6/7.9	2.1/5.4	1.5/4.8
0,0,1,0,0	5	6.7/10.0	2.6/5.9	1.8/5.1	4.9/8.2	2.2/5.5	1.6/4.9
1,0,1,0,0	6	5.9/9.2	2.5/5.8	1.4/4.7	5.0/8.3	2.2/5.5	1.3/4.6
0,1,1,0,0	7	5.0/8.3	2.5/5.8	1.2/4.7	4.8/8.1	2.3/5.6	1.1/4.4
1,1,1,0,0	8	4.8/8.1	2.3/5.6	1.4/4.7	4.5/7.8	1.9/5.2	1.3/4.6
0,0,0,1,0	9	4.8/8.1	2.2/5.5	1.5/4.8	4.5/7.8	2.0/5.3	1.2/4.5
1,0,0,1,0	10	5.2/8.5	2.7/6.0	1.5/4.8	4.5/7.8	2.1/5.4	1.4/4.7
0,1,0,1,0	11	5.5/8.8	2.5/5.8	1.4/4.7	5.0/8.3	2.1/5.4	1.4/4.7
1,1,0,1,0	12	6.2/9.5	2.6/5.9	1.1/4.4	5.6/8.9	2.1/5.4	1.0/4.3
0,0,1,1,0	13	10.4/13.7	3.6/6.9	1.7/5.0	9.1/12.4	3.0/6.3	1.3/4.6
1,0,1,1,0	14	5.0/8.3	2.4/5.7	1.2/4.5	4.7/8.0	2.2/5.5	1.1/4.4

0,1,1,1,0	15	4.8/8.1	2.3/5.6	1.4/4.7	4.4/7.7	1.9/5.2	1.3/4.6
1,1,1,1,0	16	4.8/8.1	2.3/5.6	1.4/4.7	4.8/8.1	1.9/5.2	1.3/4.6
0,0,0,0,1	17	5.2/8.5	2.7/6.0	1.5/4.8	4.5/7.8	2.1/5.4	1.4/4.7
1,0,0,0,1	18	4.8/8.1	2.3/5.6	1.4/4.7	4.5/7.8	1.9/5.2	1.3/4.6
0,1,0,0,1	19	4.3/7.6	2.1/5.4	1.3/4.6	4.4/7.7	1.9/5.2	1.3/4.6
1,1,0,0,1	20	5.2/8.5	2.9/6.2	1.3/4.6	3.9/7.2	2.0/5.3	1.3/4.6
0,0,1,0,1	21	11.1/14.4	3.1/6.4	1.6/4.9	10.5/13.8	2.5/5.8	1.2/4.5
1,0,1,0,1	22	10.3/13.6	3.3/6.6	1.7/5.0	9.2/12.5	2.8/6.1	1.3/4.6
0,1,1,0,1	23	5.0/8.3	2.6/5.9	1.9/5.2	4.8/8.1	2.4/5.7	1.7/5.0
1,1,1,0,1	24	10.3/13.6	3.5/6.8	1.7/5.0	9.0/12.3	3.0/6.3	1.3/4.6
0,0,0,1,1	25	4.0/7.3	2.3/5.6	1.3/4.6	3.7/7.0	1.9/5.2	1.3/4.6
1,0,0,1,1	26	4.5/7.8	2.5/5.8	1.4/4.7	4.3/7.6	2.0/5.3	1.3/4.6
0,1,0,1,1	27	5.1/8.4	2.8/6.1	1.4/4.7	4.6/7.9	2.0/5.3	1.4/4.7
1,1,0,1,1	28	4.9/8.2	2.6/5.9	1.8/5.1	4.3/7.6	2.4/5.7	1.6/4.9
0,0,1,1,1	29	5.4/8.7	2.5/5.8	1.3/4.6	4.8/8.1	1.9/5.2	1.3/4.6
1,0,1,1,1	30	10.1/13.4	3.4/6.7	1.7/5.0	9.3/12.6	2.8/6.1	1.3/4.6
0,1,1,1,1	31	5.3/8.6	2.7/6.0	1.4/4.7	4.8/8.1	2.1/5.4	1.4/4.7
1,1,1,1,1	32	5.2/8.5	2.6/5.9	1.9/5.2	5.0/8.3	2.4/5.7	1.6/4.9

Note! For Isolated variants add 0.19mA to high, medium, low values above.

1.3 Product codes

Bases	Isolation	Product codes
BSS-PR-I33	Isolation	FFS06711723
BSS-PR-N33	Non isolation	FFS06711724