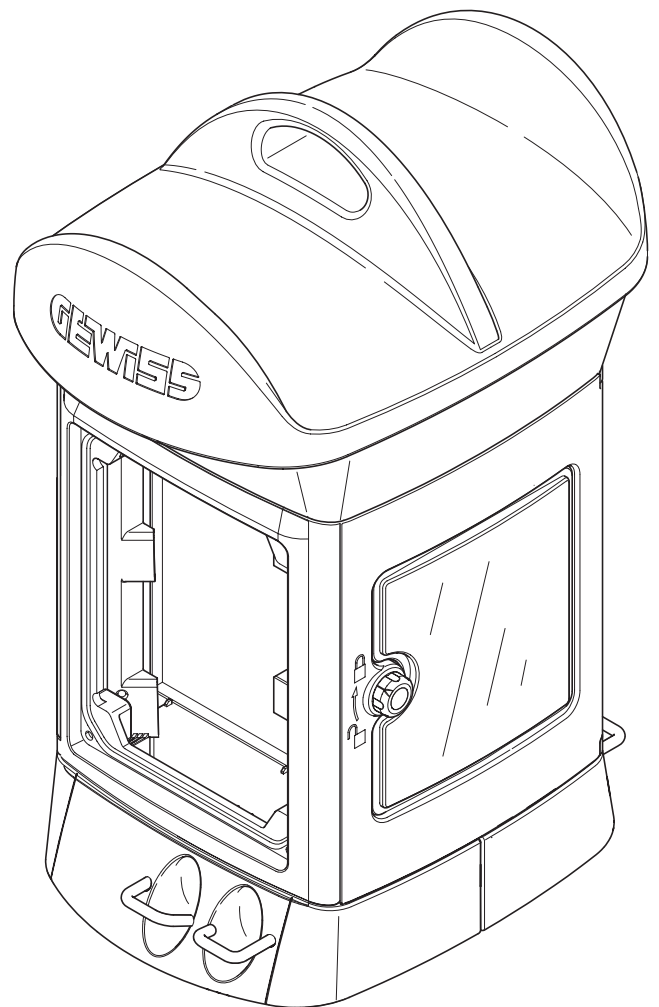
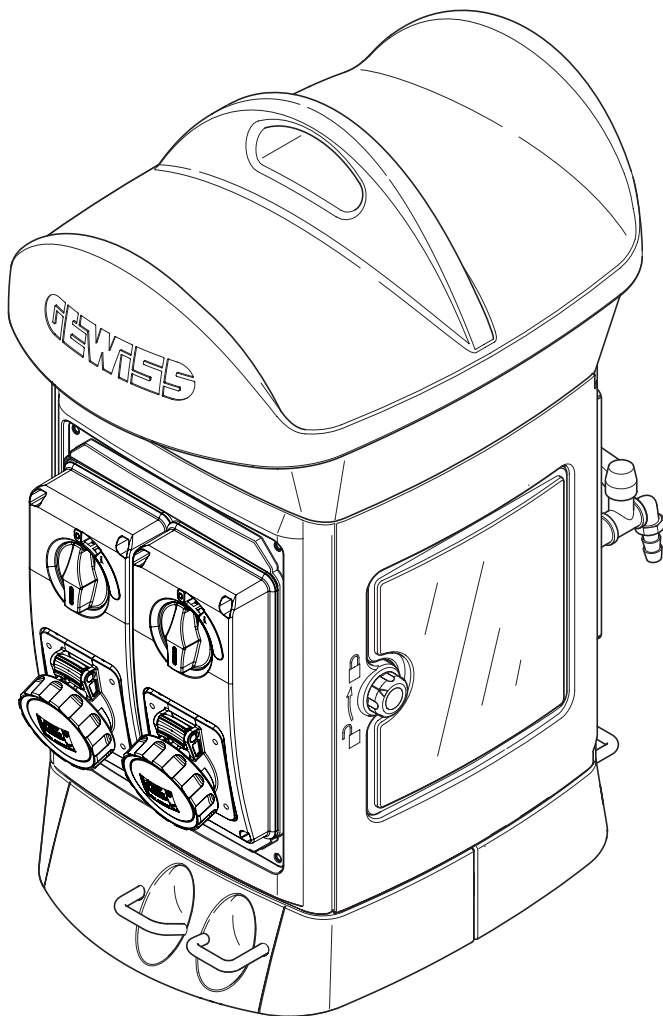


68 Q-MC 16-B

GEWISS

IP55/IP56





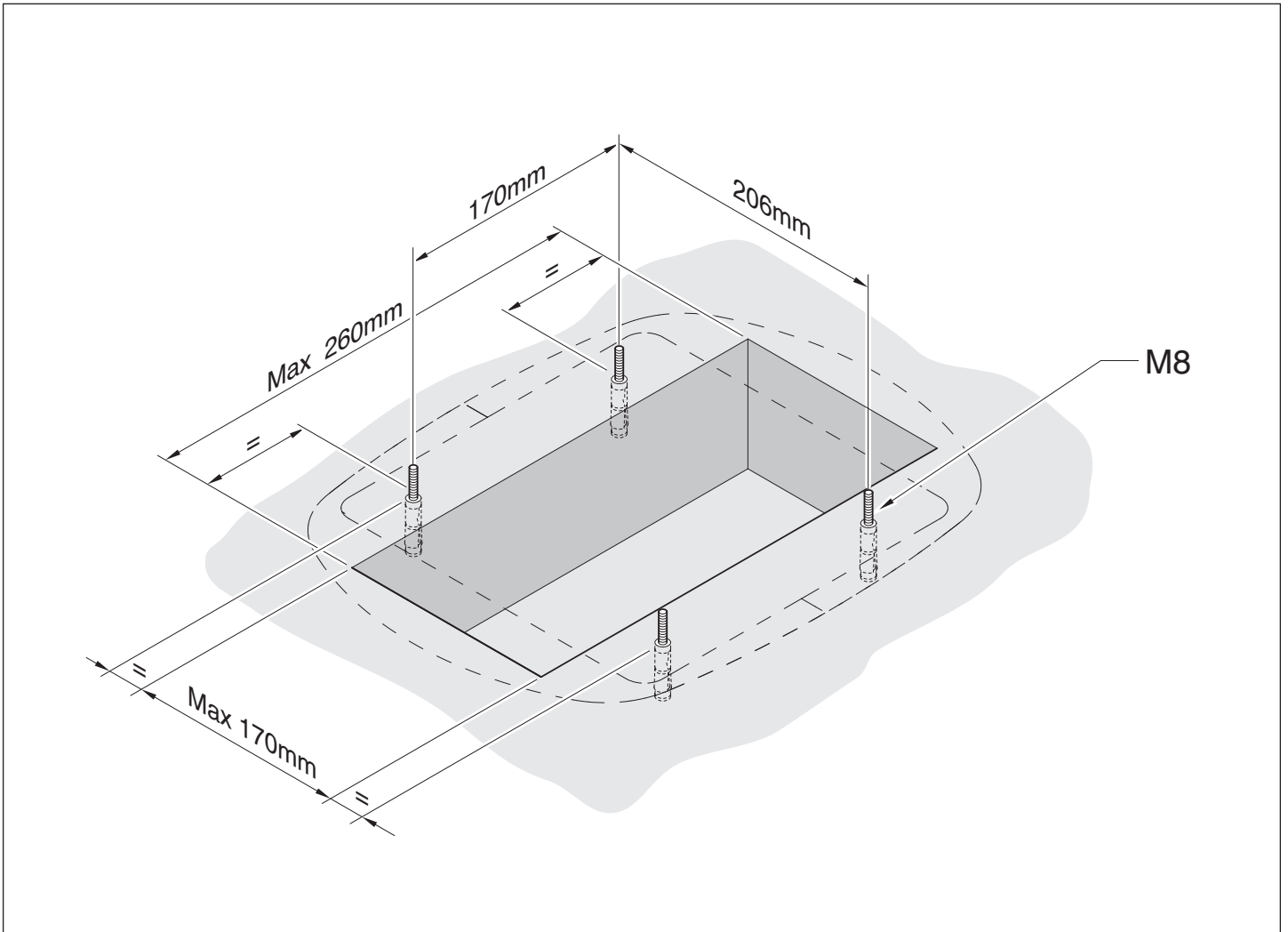
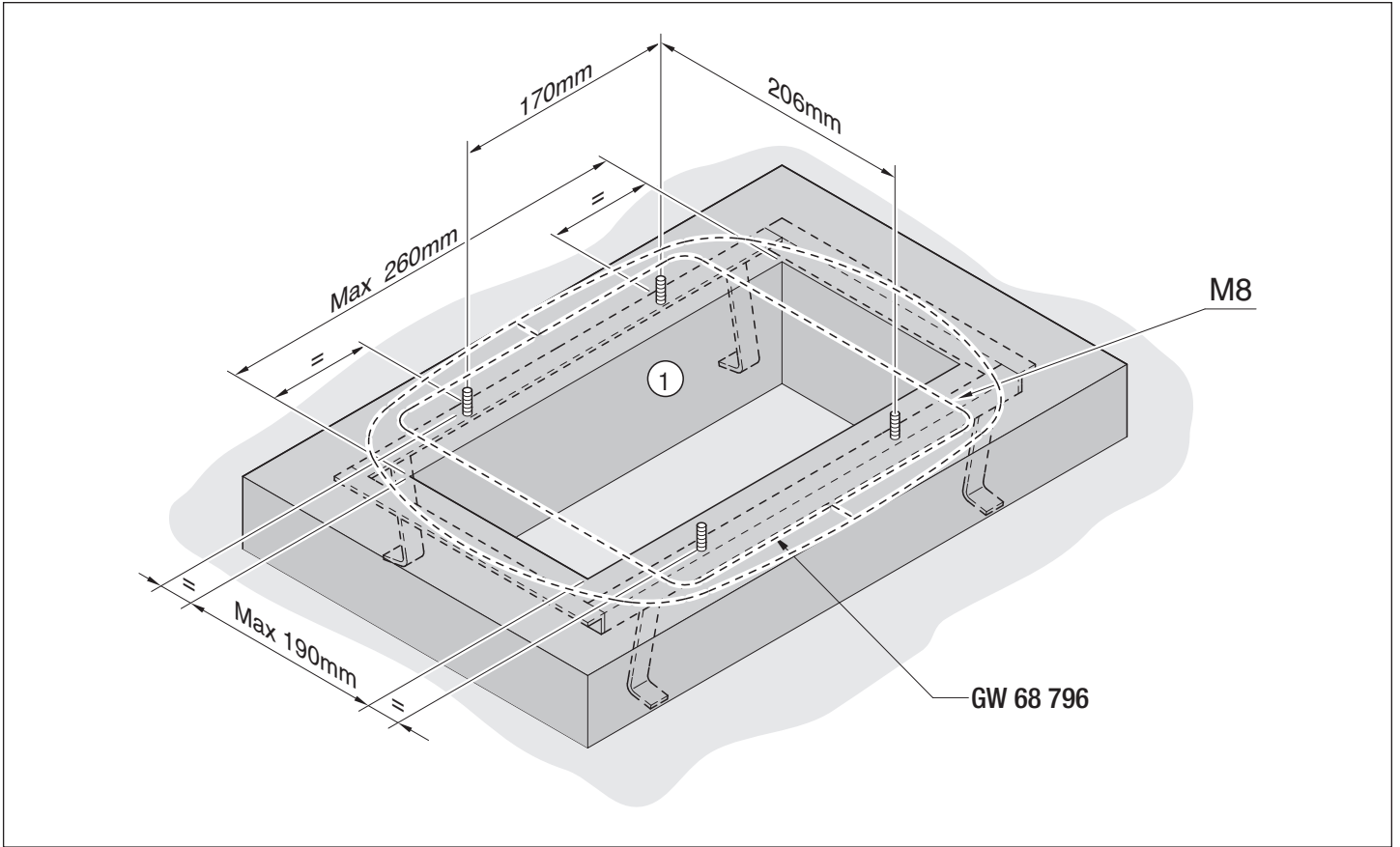
	GW 68 745A/W	2	67 IB IP67 16/32A		
	GW 68 746A/W	2	44 IB IP44 16/32A		
	GW 68 747A/W	2	COMBIBLOC	1	 IEC 309 HP 16A (MAX 2P+T) 27 COMBI IP55 (85x75mm)
	GW 68 748A/W			4	 IEC 309 HP 16/32A + 27 COMBI IP55 (85x75mm)
	GW 68 750A/W				

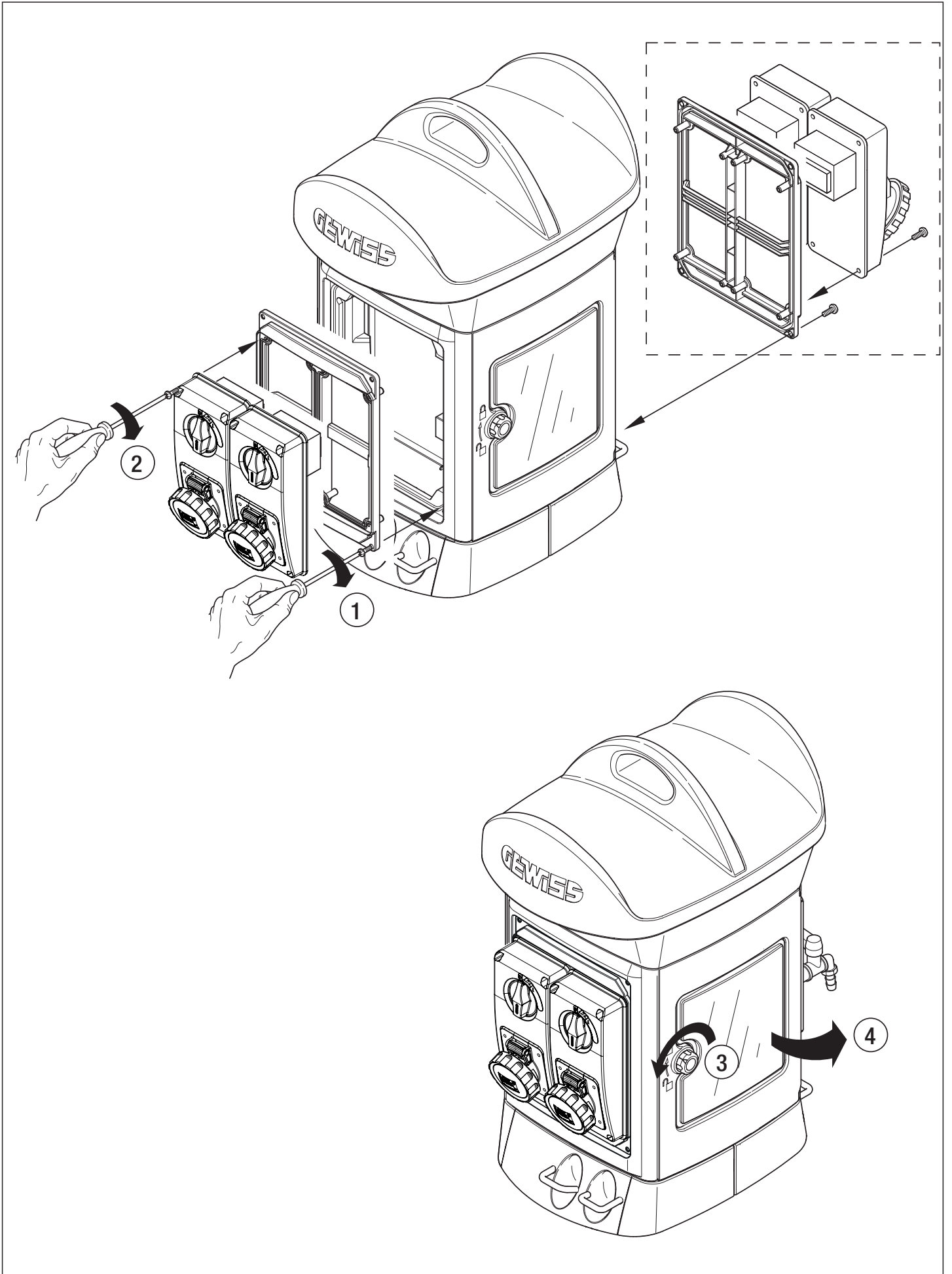
GW 68 990		
GW 68 790		 FSS 16W GR8
GW 68 791		 FSS 16W GR10
GW 68 792		

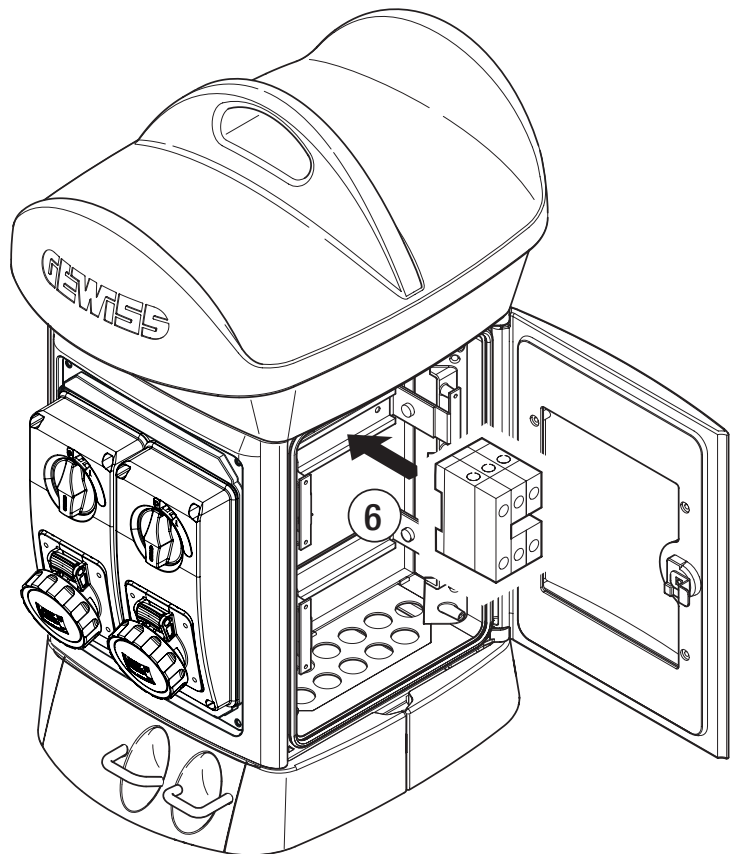
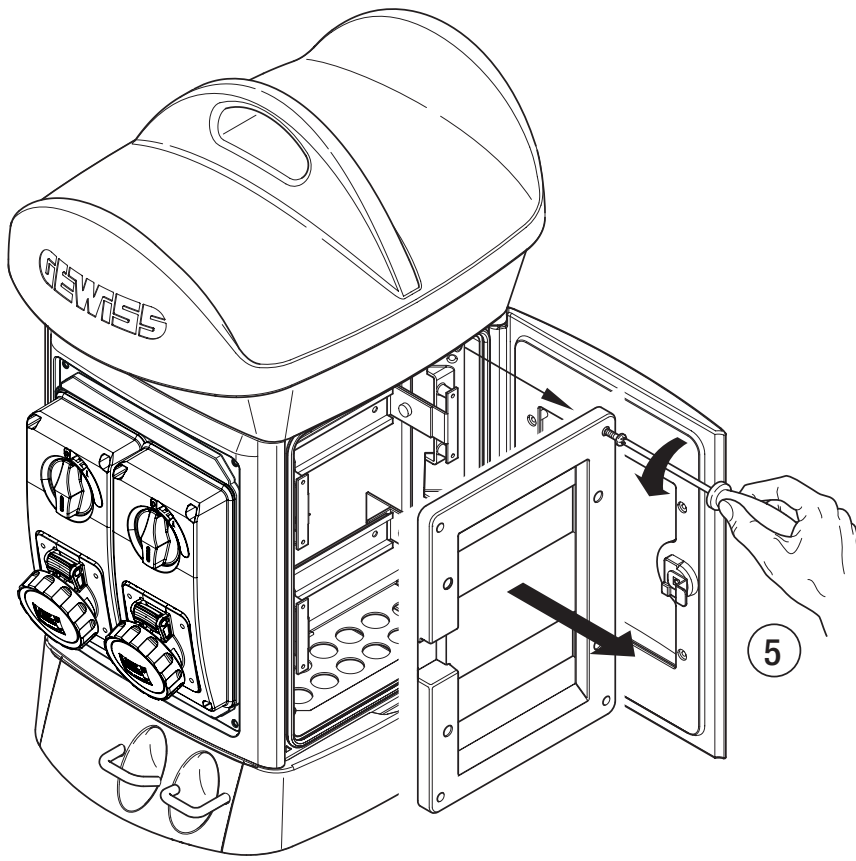
GW 68 776	
GW 68 796	
GW 68 788	
GW 68 799	

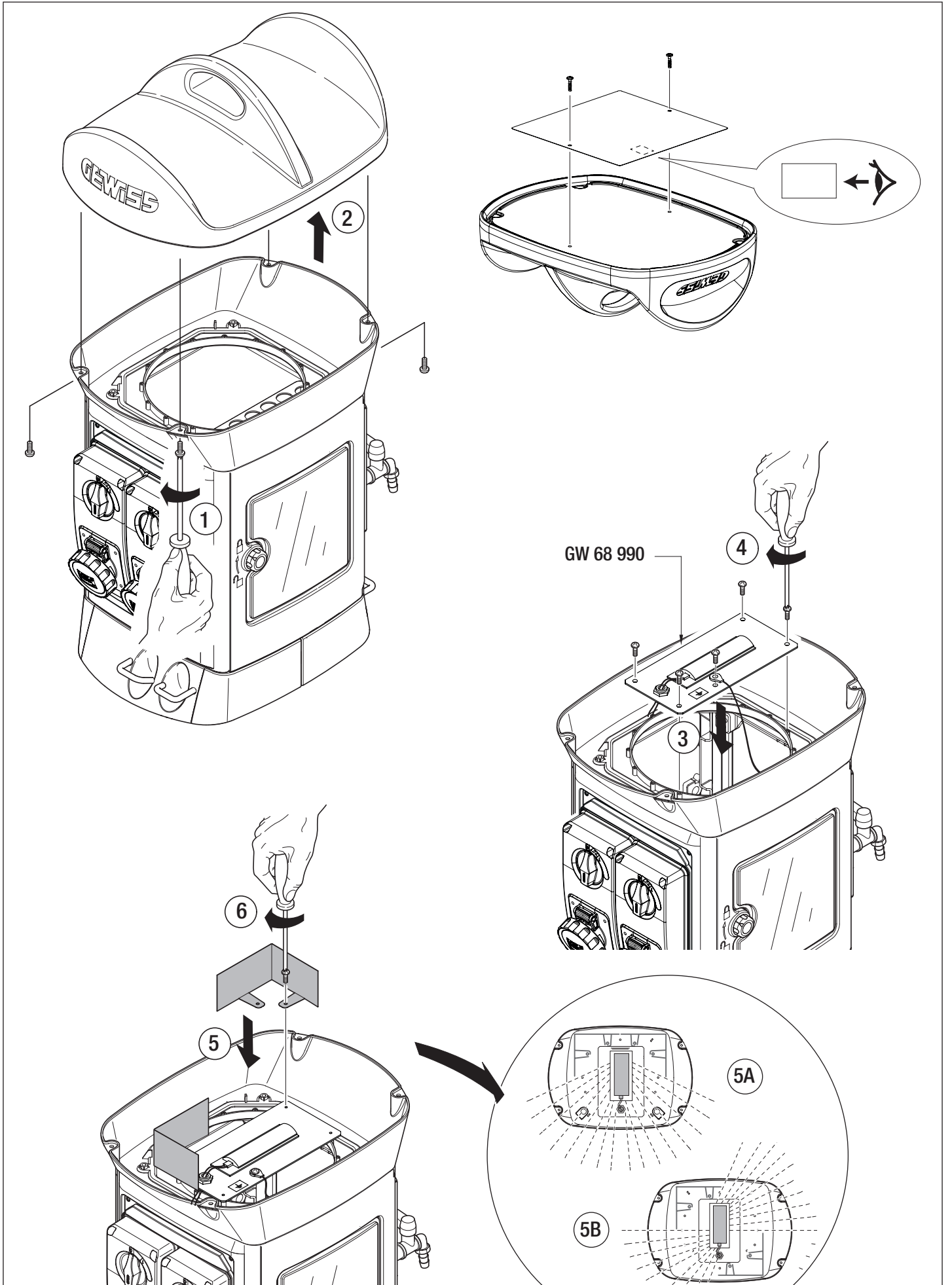
	A	
A1		2

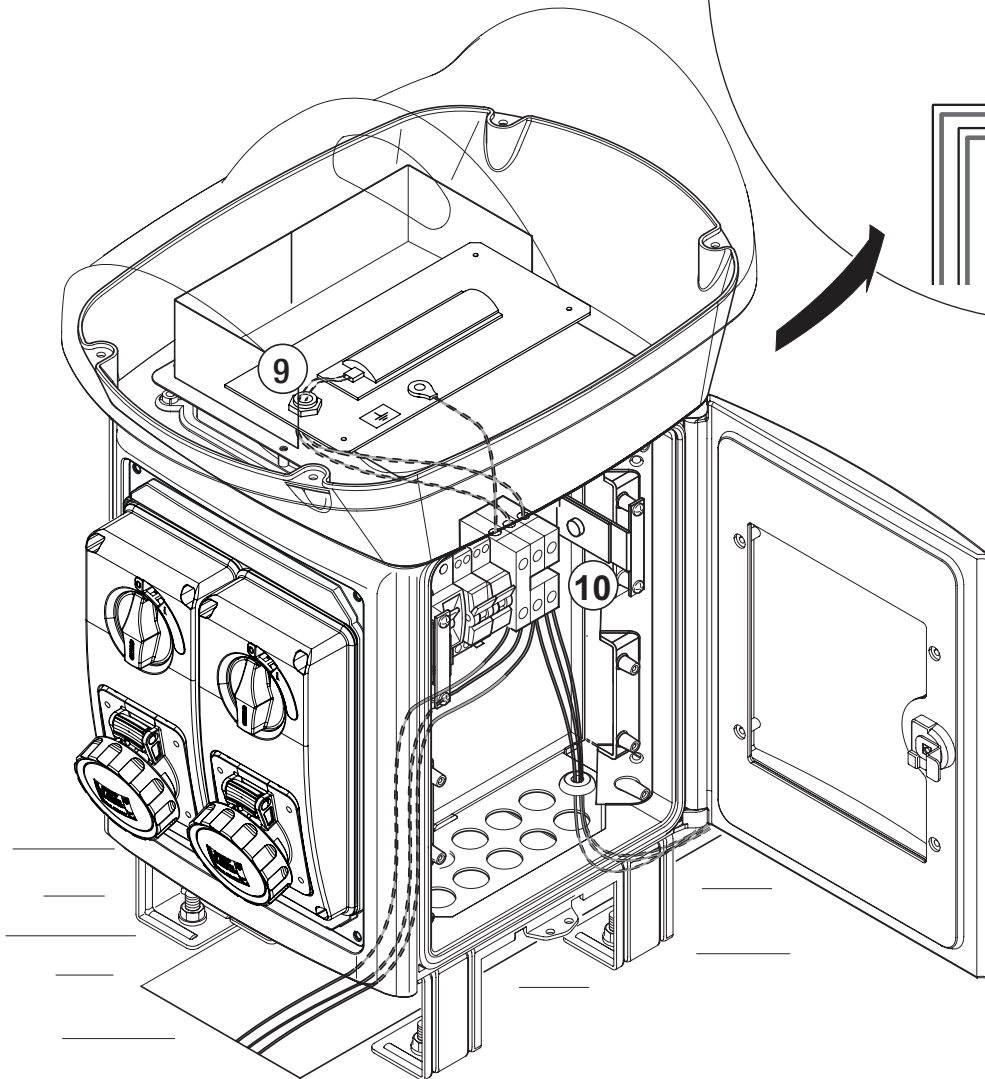
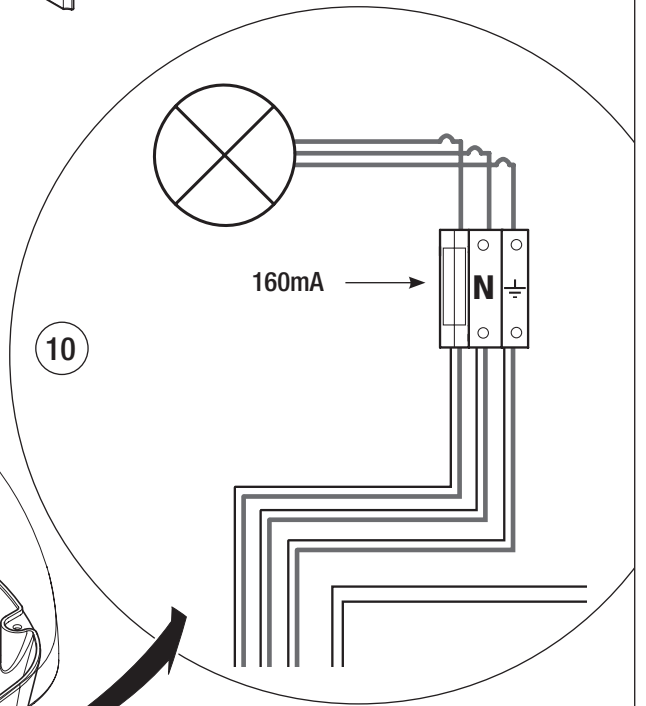
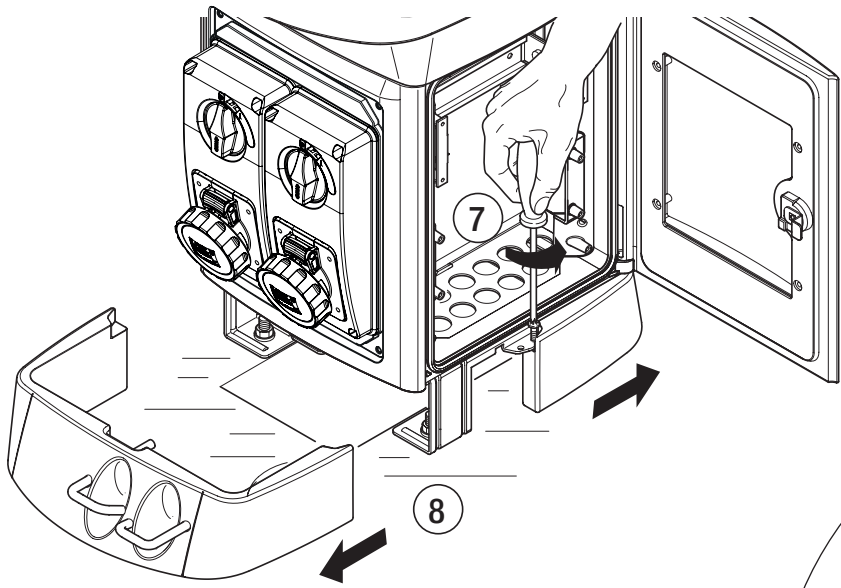
	B	
B1	Ø9	4
B2	M8	4

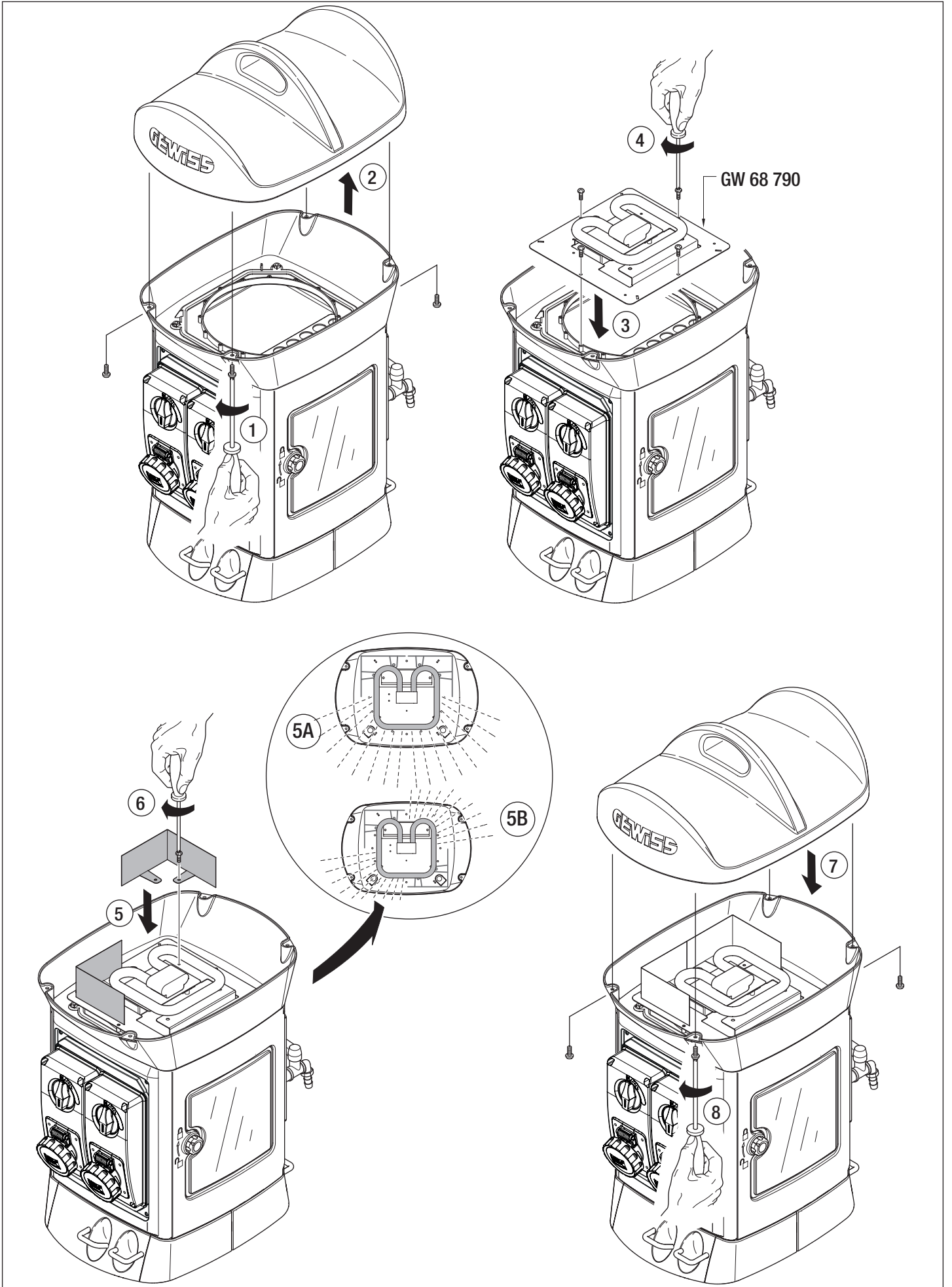


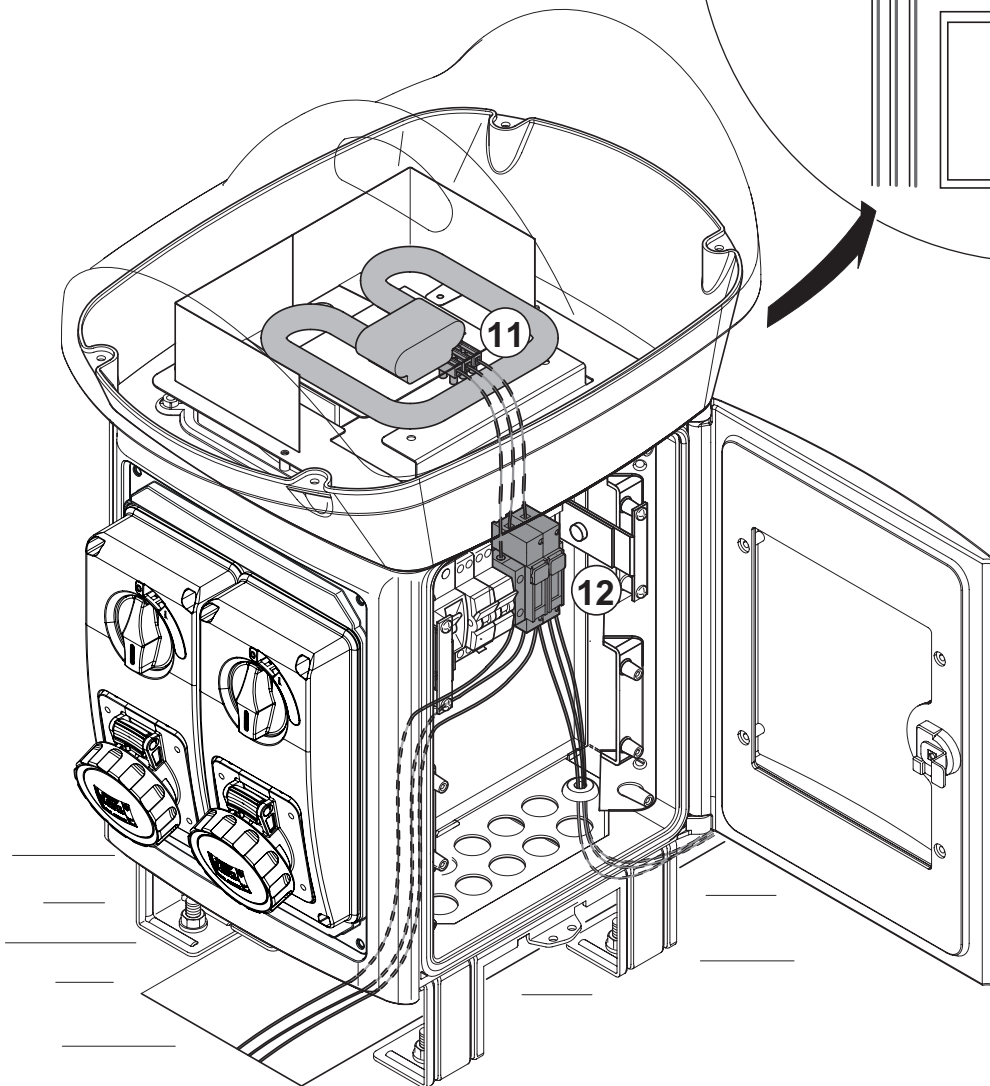
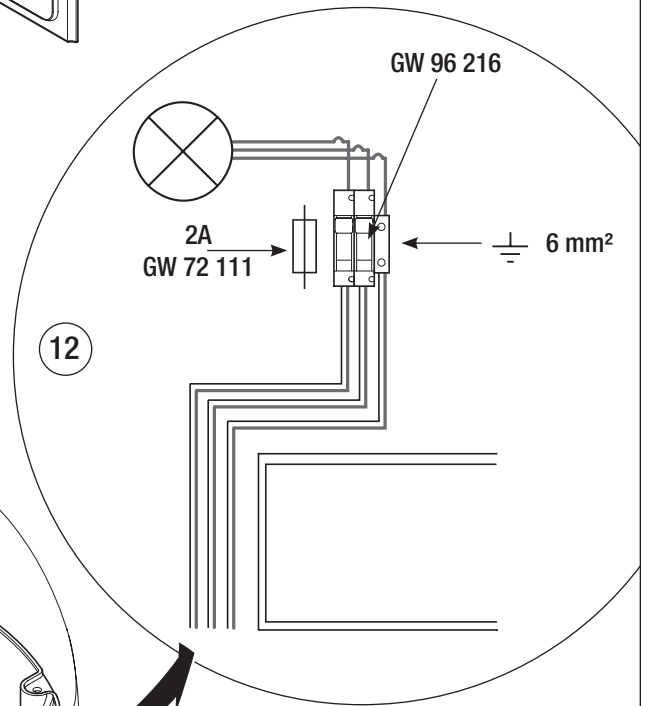
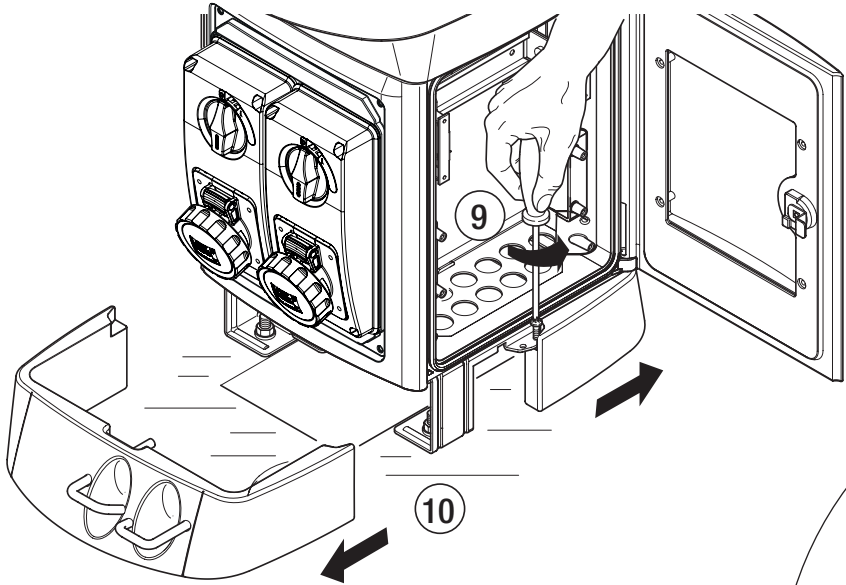


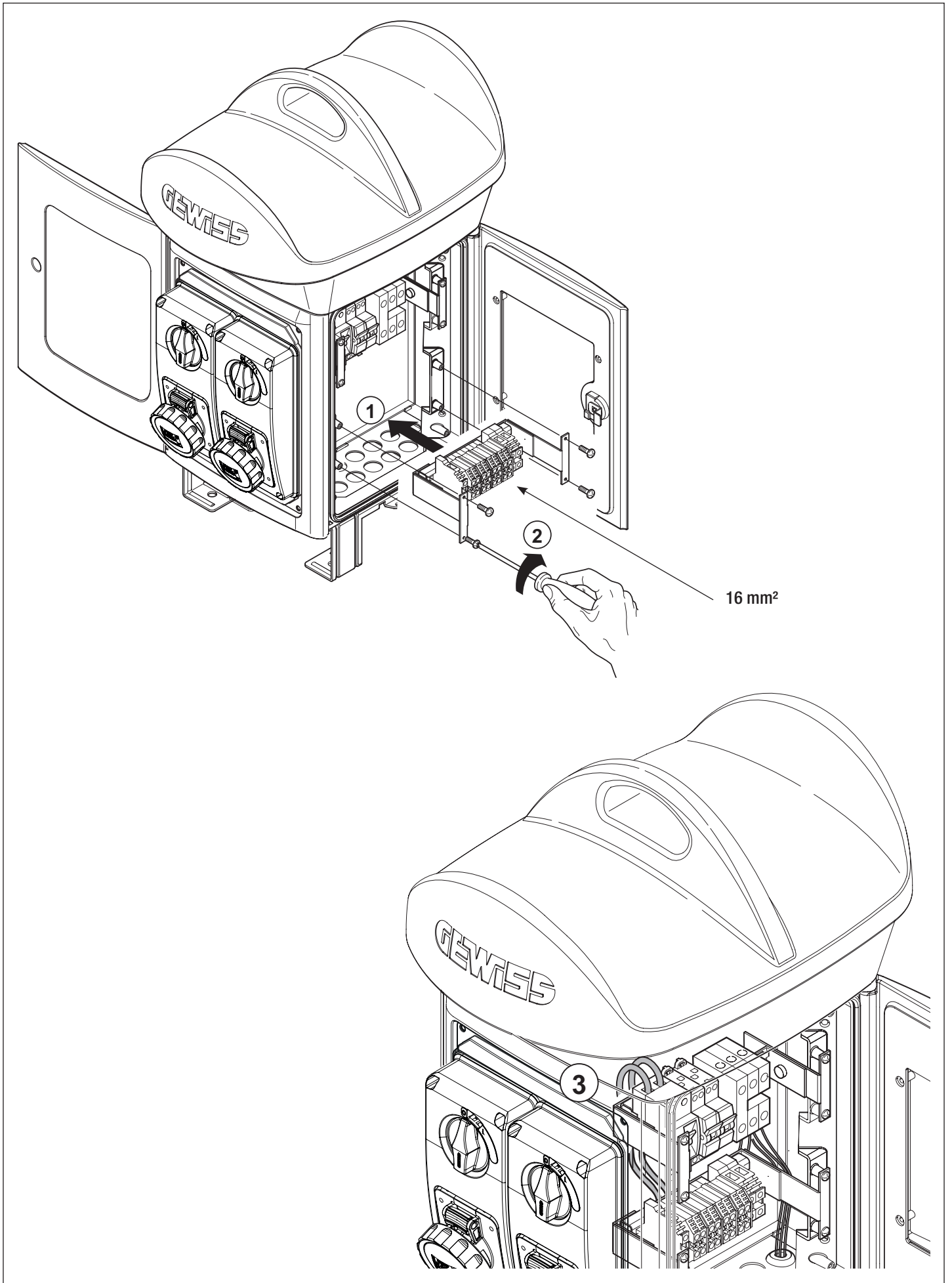


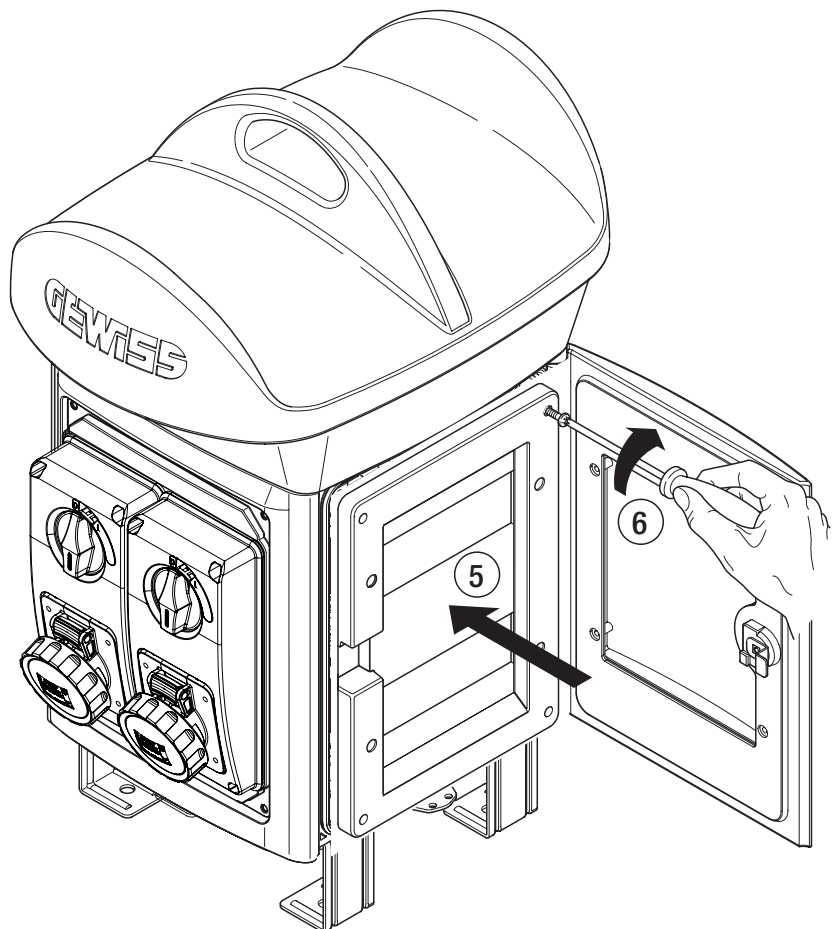
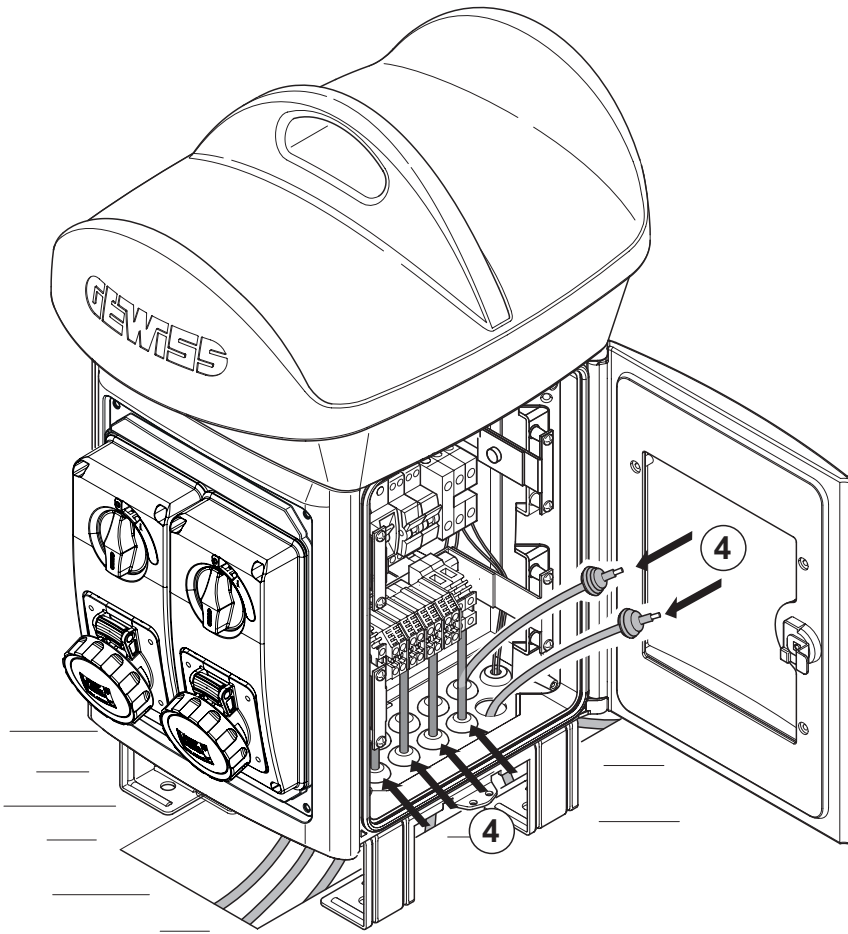


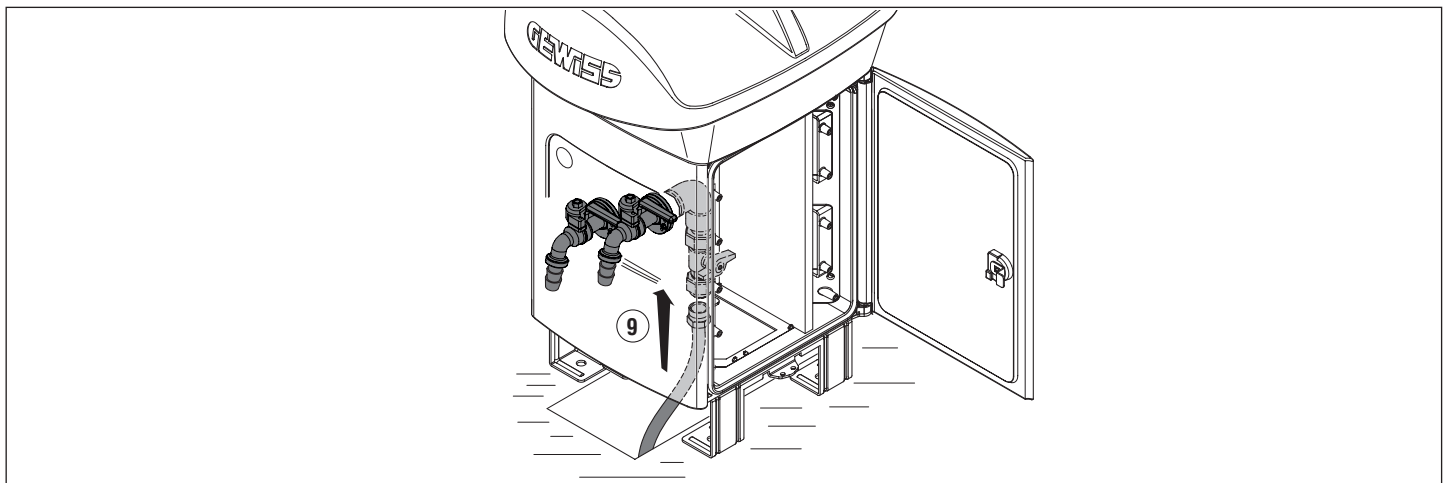
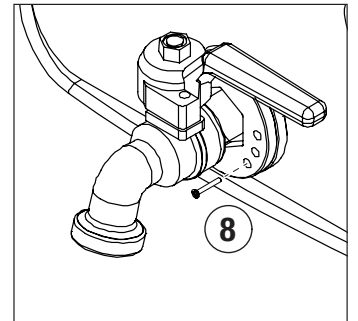
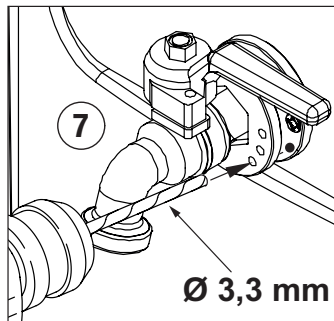
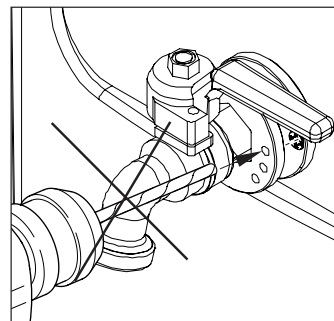
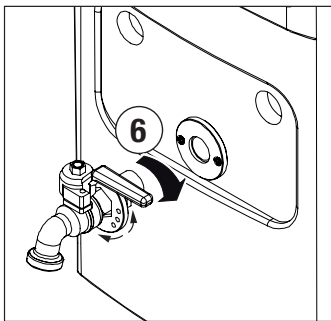
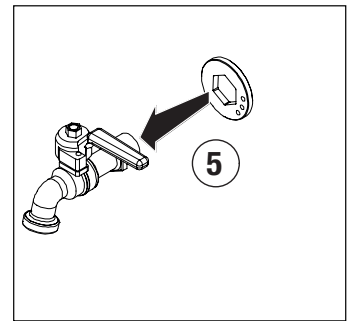
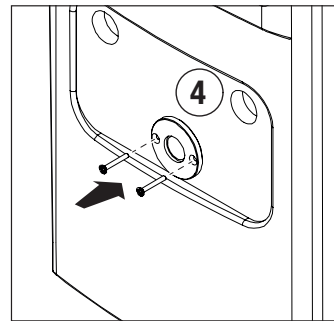
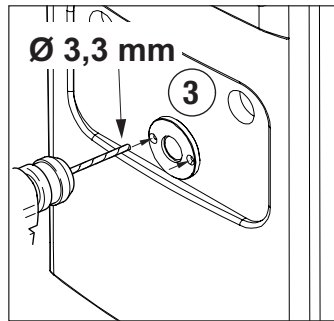
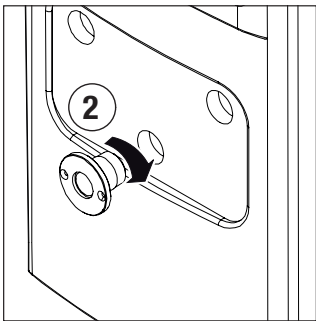
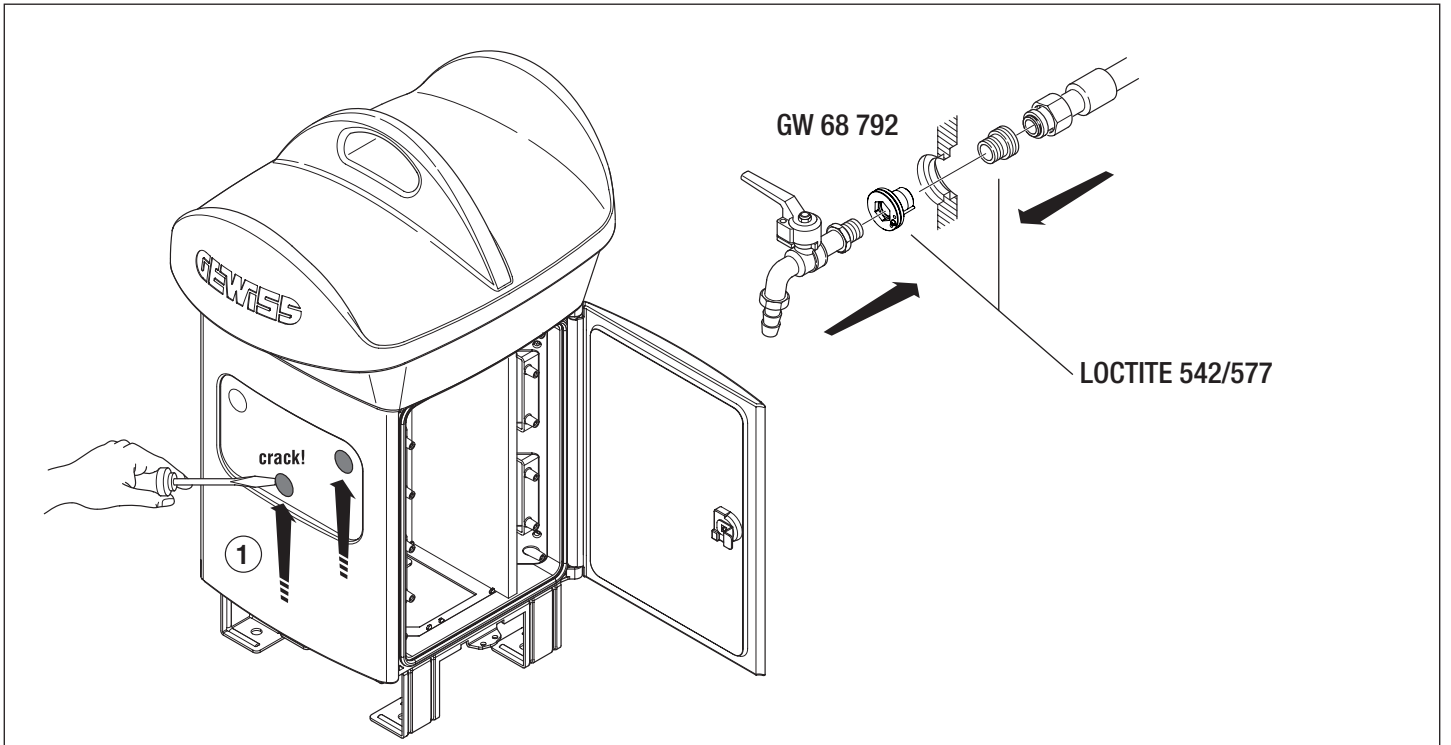


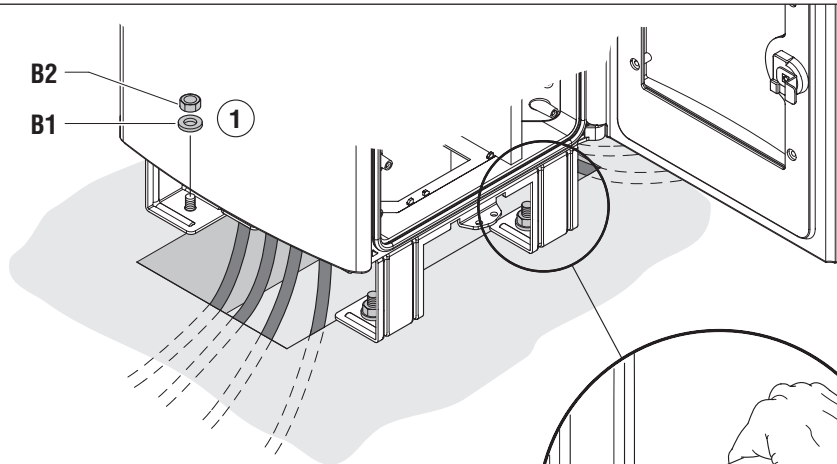




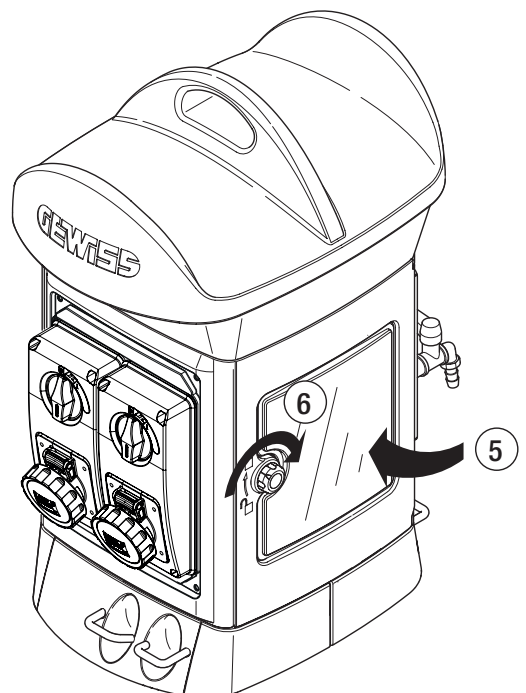
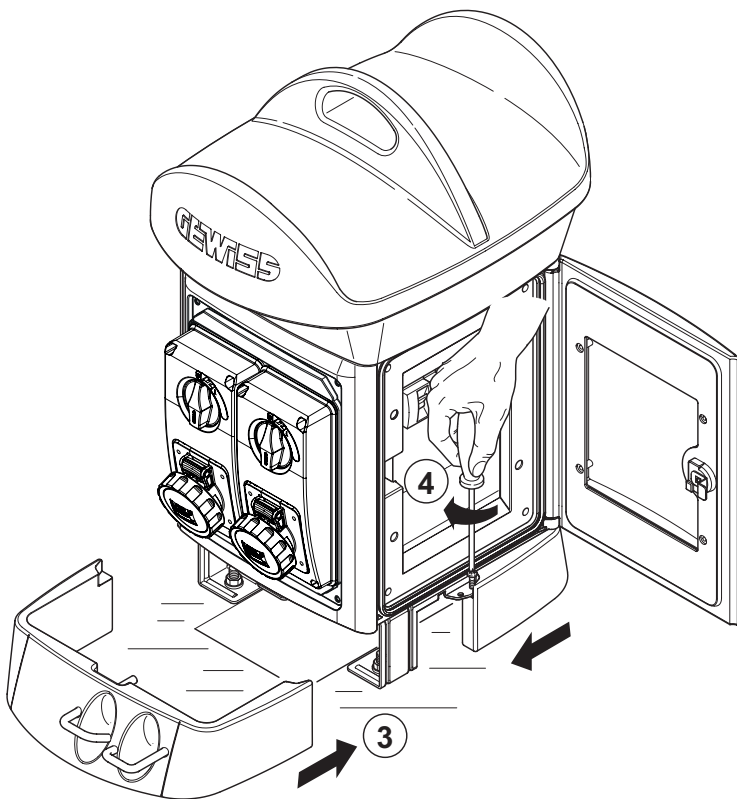
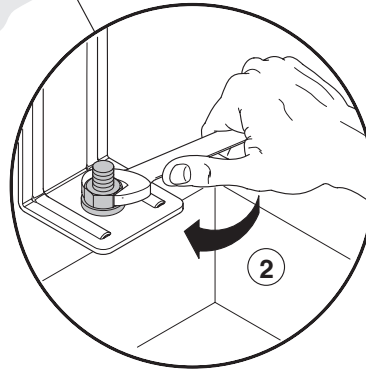
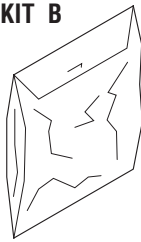


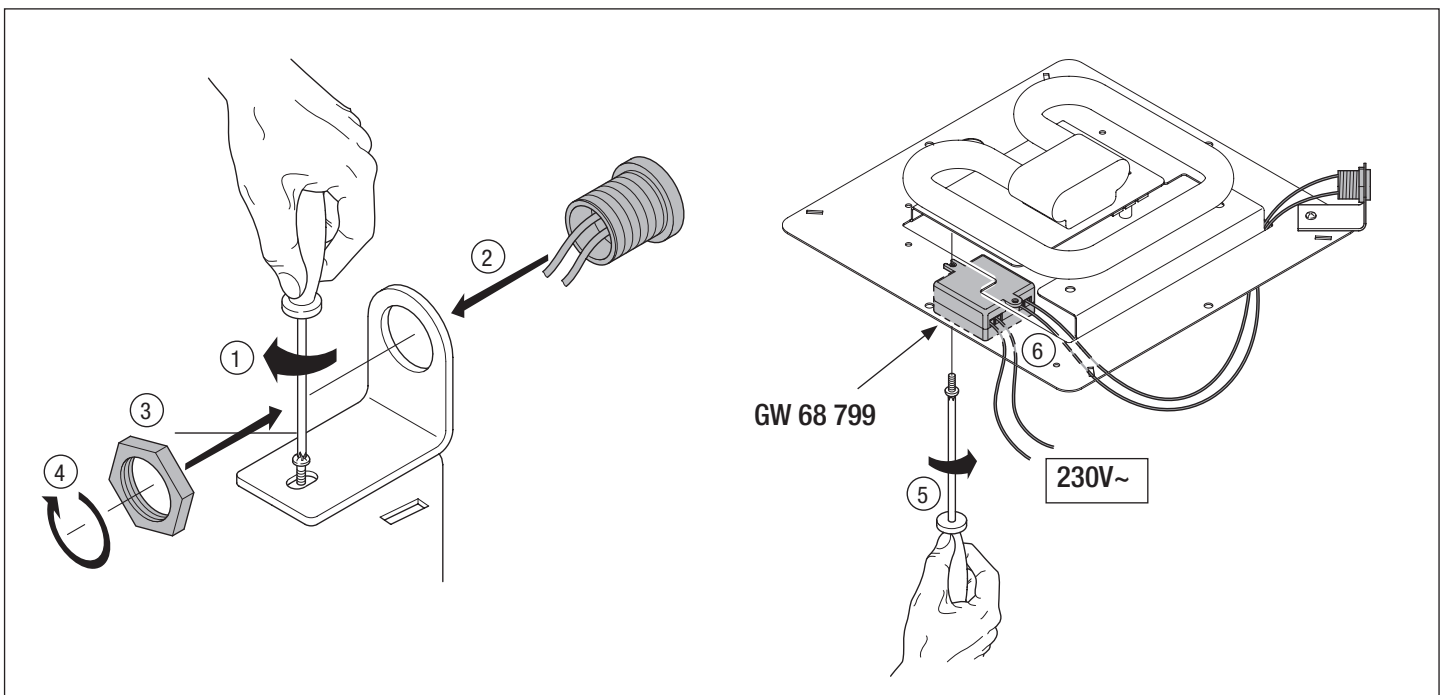
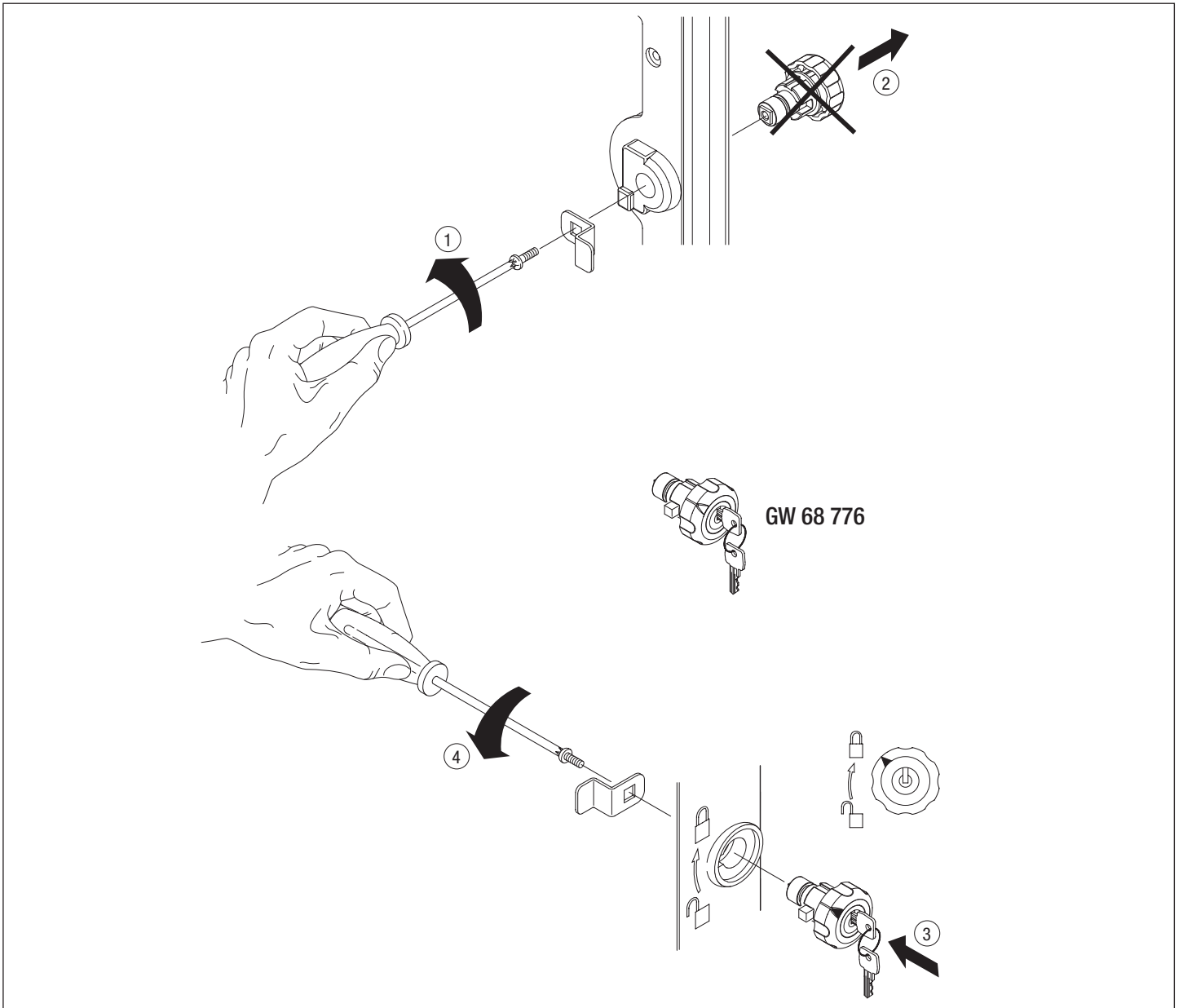


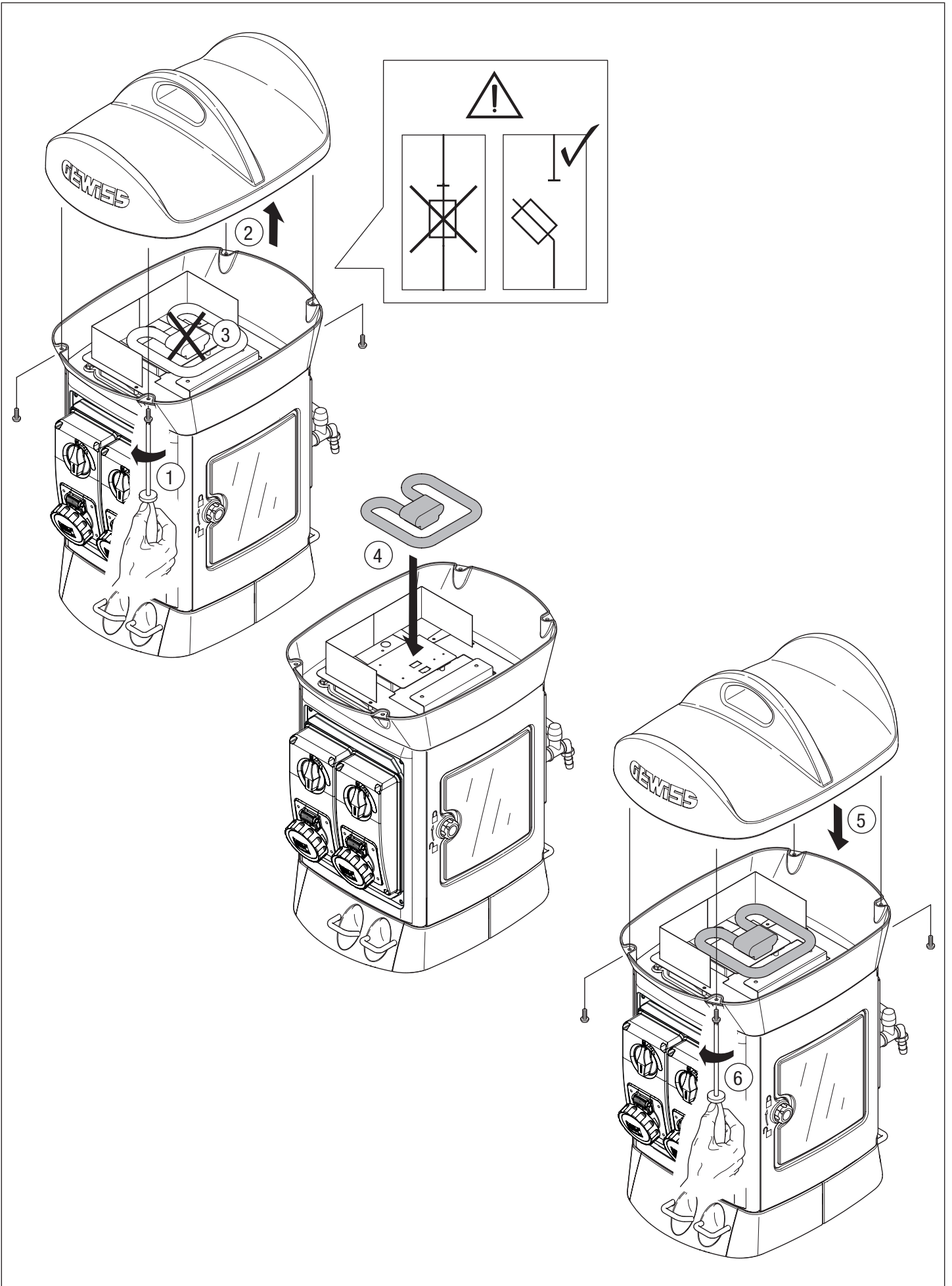


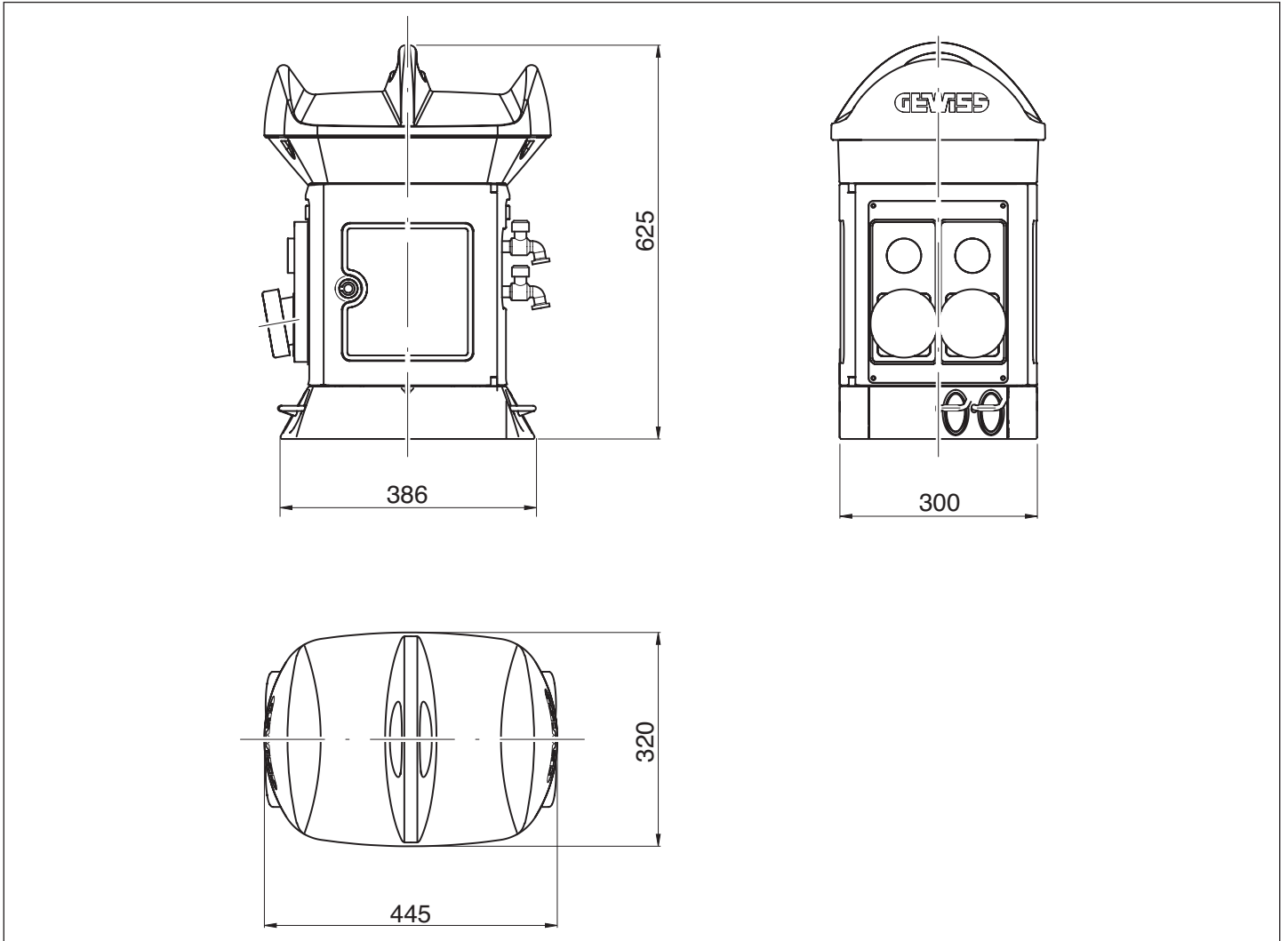


KIT B









cod. 7.55.4.392.6

Punto di contatto indicato in adempimento ai fini delle direttive e regolamenti UE applicabili:

Contact details according to the relevant European Directives and Regulations:

GEWISS S.p.A. Via A.Volta, 1 IT-24069 Cenate Sotto (BG) Italy tel: +39 035 946 111 E-mail: qualitymarks@gewiss.com



+39 035 946 111

8.30 - 12.30 / 14.00 - 18.00
lunedì - venerdì - monday - friday



+39 035 946 260



sat@gewiss.com
www.gewiss.com

ULTIMA REVISIONE 10/2017