


Product End of Life Instructions


ATV320 7,5kW 400V 3ph with vario IP65

Altivar Machine ATV320



 Potential disassembly risks

  **DANGER** 

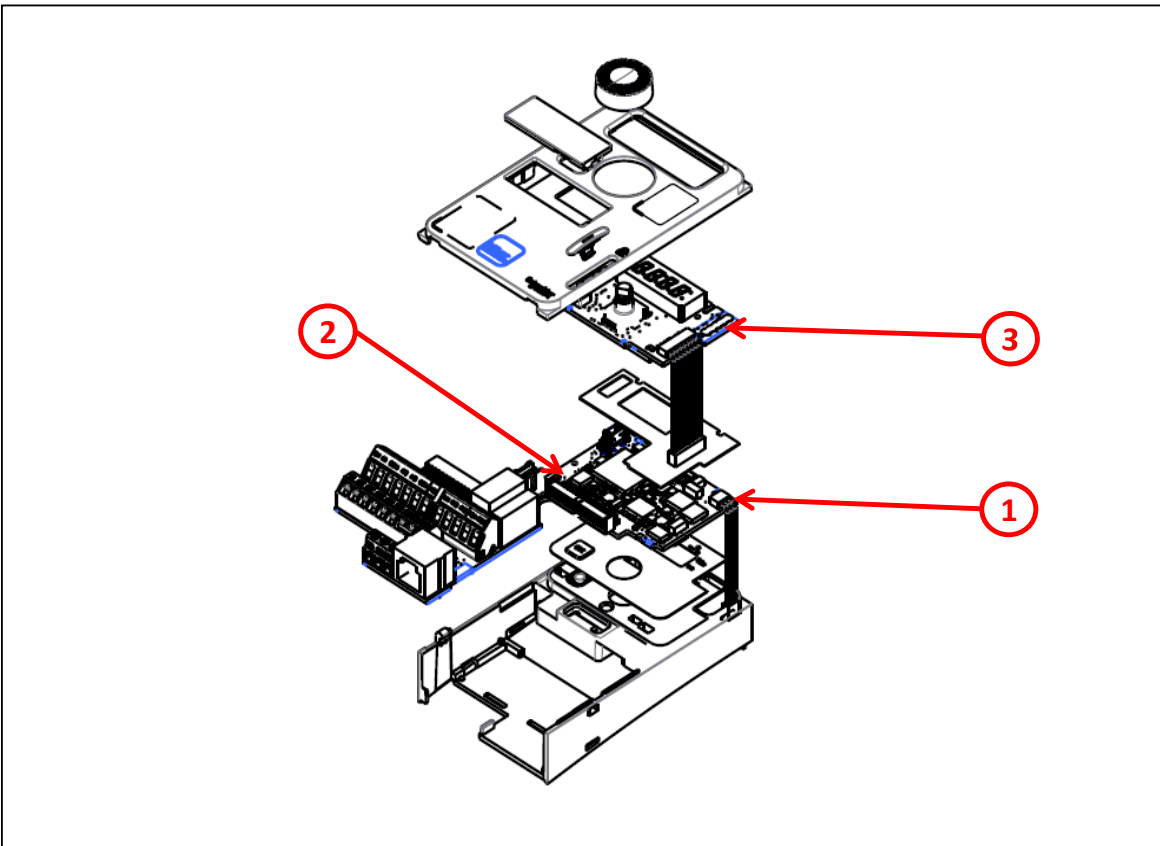


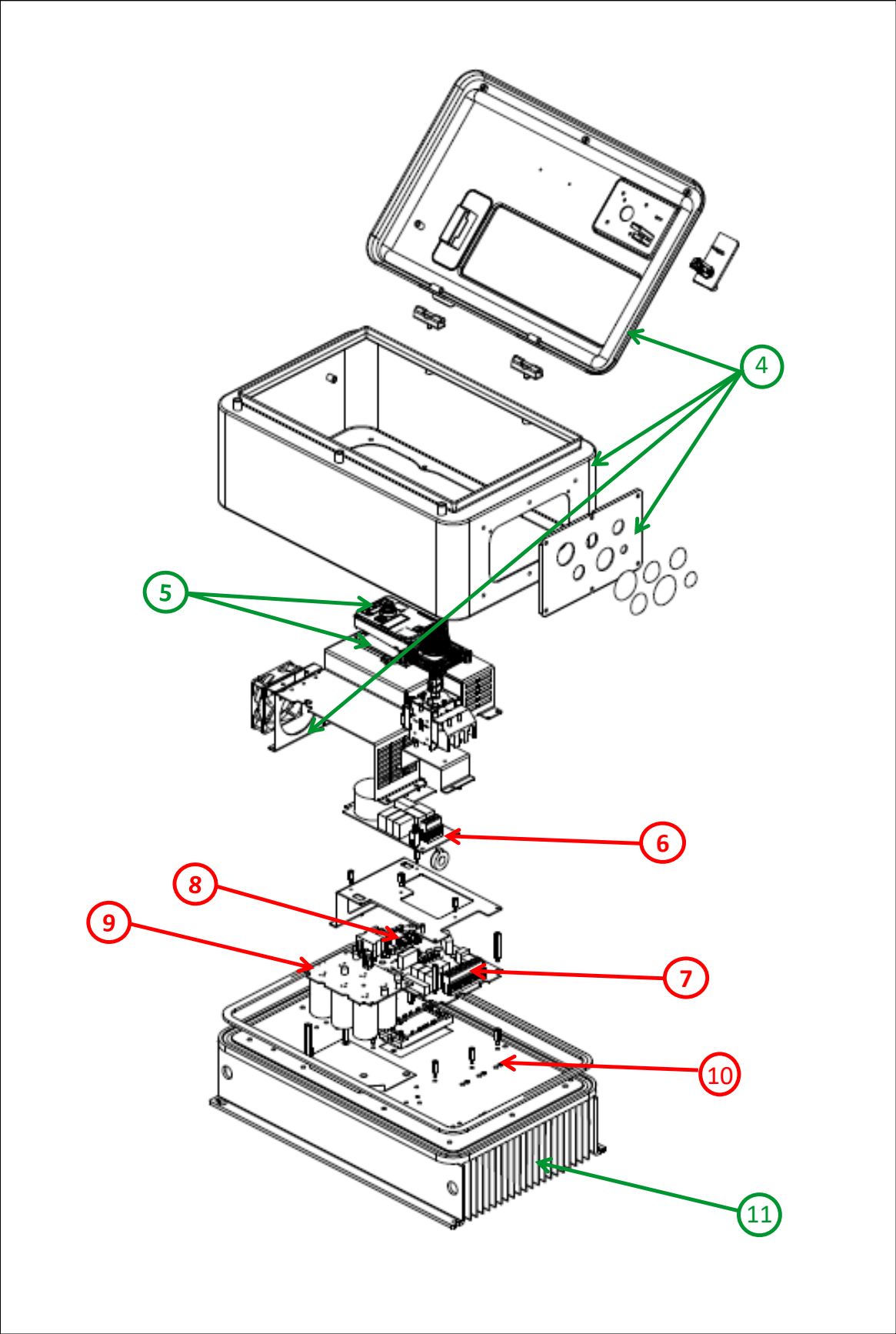
**ELECTRIC SHOCK, EXPLOSION,
OR ARC FLASH.**
To service, remove all power.

- Wait 15 minutes
- Verify no voltage is present.

**Failure to follow these instructions
will result in death or serious injury.**

 End of Life Instructions





Recommendation	Number on drawing	Component / Material	Weight (in g)	Comment
To be depolluted	①	Electronic Board (Communication) > 10cm ²	20.88	PCBA area is 31.71 cm ²
To be depolluted	②	Electronic Board (Communication) > 10cm ²	60.1	PCBA area is 34.58 cm ²
To be depolluted	③	Electronic Board (Communication) > 10cm ²	23.26	PCBA area is 28.77 cm ²
To be dismantled	④	Steel parts	10221.43	Steel parts(vario cover, cable gland plate, fan support, housing)
To be dismantled	⑤	PC	60.32	ATV320_CONTROL_BLOCK_SUPPORT and RS3C_CONTROL-SUPPORT
To be depolluted	⑥	Electronic Board (Power) > 10cm ²	68.37	PCBA area is 137.63 cm ²
To be depolluted	⑦	Electrolyte capacitors which size: height > 25 mm, diameter > 25 mm or proportionately similar volume	6.83	CAP AL RDL 2 33uF 35V
To be depolluted	⑧	Cable (high current)	1385.64	WR 600V 125 10AWG PE BK UL3173
To be depolluted	⑨	Electronic Board (Power) > 10cm ²	23.8	PCBA area is 125.30 cm ²
To be depolluted	⑩	Electronic Board (Power) > 10cm ²	249.07	PCBA area is 265.97 cm ²
To be dismantled	⑪	Heatsink	11389.4	Heatsink
Other	except for ①-⑪ (Parts without arrows)	Shredding parts	433.62	Shredding parts(433.62 g)



Product description

Manufacturer identification	Schneider Electric Industries SAS
Brand name	Schneider Electric
Product function	The Altivar Machine ATV320 IP65 drive is a variable speed for three-phase asynchronous and synchronous motors. It can control the speed and torque of an electric motor for general application
Product reference	ATV320U75N4WS
Additional similar product references	ATV320U75N4WS ATV320U55N4W ATV320U55N4WS ATV320U75N4W VW3A9924X
Total representative product mass	22700 g
Representative product dimensions	521mm x 320mm x 300mm
Accessories	No
Date of information release	5/2020



Additional information

Legal information

This product family is in the scope of European Union directive 2012/19/EU on Waste Electrical and Electronic Equipment (WEEE). The product family must be disposed according to the legislation of the country. This document is intended for use by end of life recyclers or treatment facilities. It provides the basic information to assure an appropriate end of life treatment for the components and materials of the product.

In case of special transportation: transportation method

No special mean of transport

Recyclability potential

88%

Based on "ECO'DEEE recyclability and recoverability calculation method" (version V1, 20 Sep. 2008 presented to the French Agency for Environment and Energy Management: ADEME).

Schneider Electric Industries SAS
Country Customer Care Center
<http://www.schneider-electric.com/contact>
35, rue Joseph Monier
CS 30323

F- 92506 Rueil Malmaison Cedex
RCS Nanterre 954 503 439
Capital social 896 313 776 €

www.schneider-electric.com

ENVEOL1908005_V1

Published by Schneider Electric

© 2020 - Schneider Electric – All rights reserved

5/2020