



MASTER CityWhite CDO-ET

MASTER CityWh CDO-ET Plus 100W/828 E40

Ceramic metal halide lamp, with opalized ovoid outer bulb shape, used in outdoor offering pleasant white light

Warnings and Safety

- Use only in totally enclosed luminaire, even during testing (IEC61167, IEC 62035, IEC60598)
- The luminaire must be able to contain hot lamp parts if the lamp ruptures
- Lamps may use electronic or electromagnetic control gear
- Control gear must include end-of-life protection (IEC61167, IEC 62035)
- Warm restart time can be up to 15 minutes; T15 ignitors therefore advised
- A lamp breaking is extremely unlikely to have any impact on your health. If a lamp breaks, ventilate the room for 30 minutes and remove the parts, preferably with gloves. Put them in a sealed plastic bag and take it to your local waste facilities for recycling. Do not use a vacuum cleaner.

Product data

Operating and Electrical		Color Designation	
Power Consumption	95.0 W	Color Designation	Warm White (WW)
Voltage (Nom)	90 V	Chromaticity Coordinate X (Nom)	0.447
Voltage (Nom)	90 V	Chromaticity Coordinate Y (Nom)	0.4
General Information		Correlated Color Temperature (Nom)	2800 K
Cap-Base	E40 [E40]	Luminous Efficacy (rated) (Nom)	99 lm/W
Operating Position	UNIVERSAL [Any or Universal (U)]	Color rendering index (CRI)	87
Flux measurement reference	Sphere	Controls and Dimming	
Light Technical		Dimmable	Yes
Color Code	828 [CCT of 2800K]	Mechanical and Housing	
Luminous Flux	9,400 lumen	Bulb Finish	Coated glass

MASTER CityWhite CDO-ET

Bulb Shape	E75 [B 75mm]
------------	--------------

Approval and Application

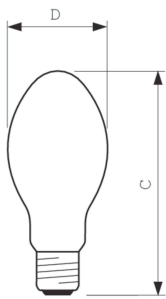
Mercury (Hg) Content (Max)	12 mg
Mercury (Hg) Content (Nom)	11.6 mg
Energy Consumption kWh/1000 h	95 kWh
EPREL Registration Number	473,399

Product Data

Full product code	871829115877600
-------------------	-----------------

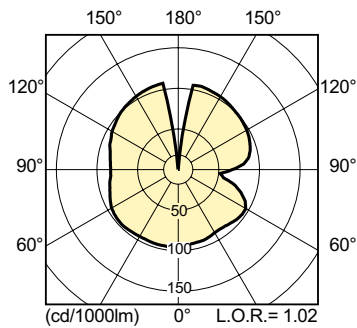
Order product name	MASTER CityWh CDO-ET Plus 100W/828 E40
Order code	928154808835
Numerator - Quantity Per Pack	1
Numerator - Packs per outer box	12
Material number (12NC)	928154808835
Full product name	MASTER CityWh CDO-ET Plus 100W/828 E40
EAN/UPC - Case	8718291158783

Dimensional drawing

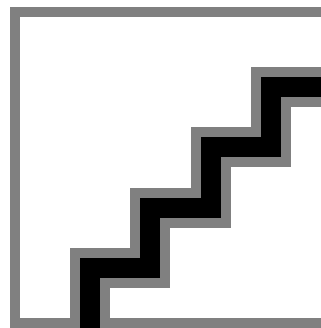


Product	D (max)	C (max)
MASTER CityWh CDO-ET Plus 100W/828 E40	76 mm	186 mm

Photometric data



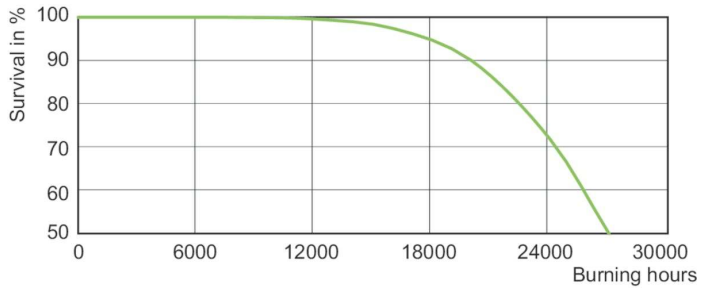
Light Distribution Diagram - MASTER CityWh CDO-ET Plus 100W/828 E40



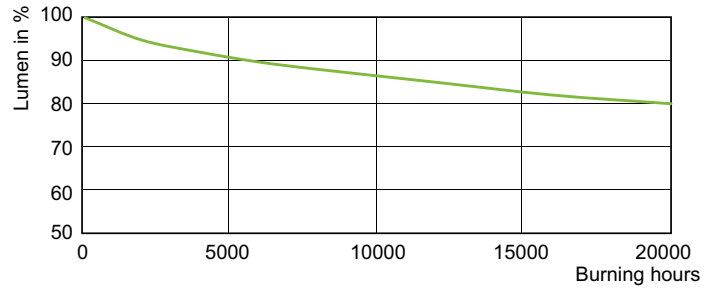
Spectral Power Distribution Colour - MASTER CityWh CDO-ET Plus 100W/828 E40

MASTER CityWhite CDO-ET

Lifetime



Life Expectancy Diagram - MASTER CityWh CDO-ET Plus 100W/828 E40



Lumen Maintenance Diagram - MASTER CityWh CDO-ET Plus 100W/828 E40

