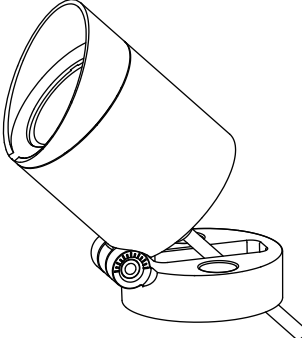
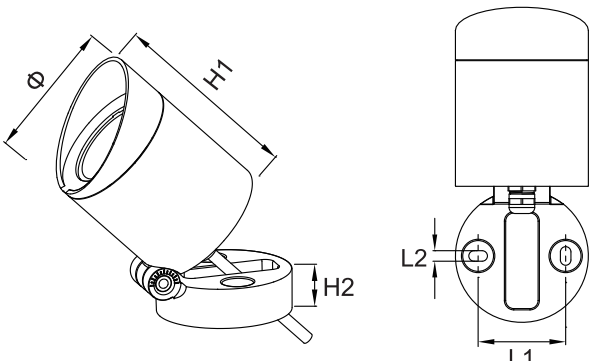


# LED Spot Projector Ecomax

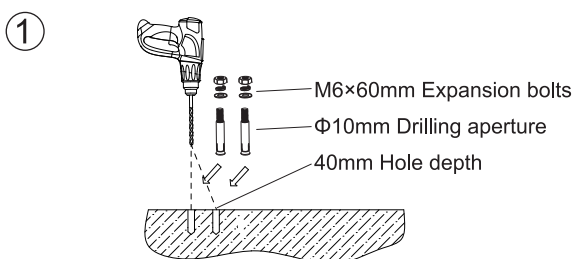
Item Code	CCT	kg
709000026900	3000K	0.8kg
709000027000	3000K	0.8kg
709000027100	4000K	0.8kg
709000027200	4000K	0.8kg
709000027300	3000K	1.17kg
709000027400	3000K	1.17kg
709000027500	4000K	1.17kg
709000027600	4000K	1.17kg

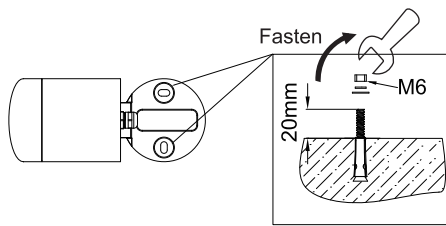



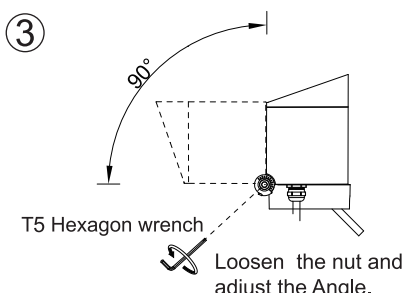
Model	Φ (mm)	H1 (mm)	H2 (mm)	L1 (mm)	L2 (mm)	MPA (m <sup>2</sup> )
LED SP-E 8W	82	111	25	54	6.5	0.0053
LED SP-E 15W	126	104	25	54	6.5	0.0125

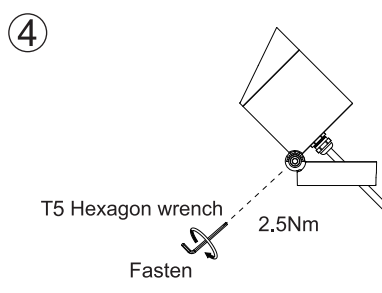
\*MPA: Maximum Projected Area of the spotlight

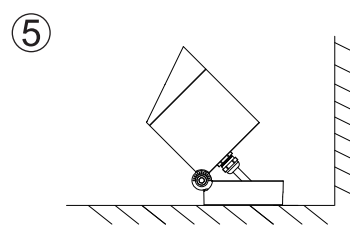
## Ground or Wall mounted installation

- 

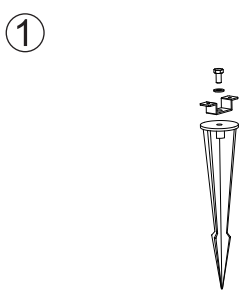
M6x60mm Expansion bolts  
Φ10mm Drilling aperture  
40mm Hole depth
- 

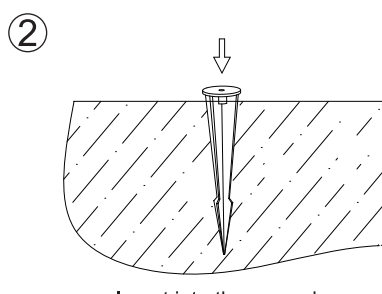
Fasten  
20mm  
M6
- 

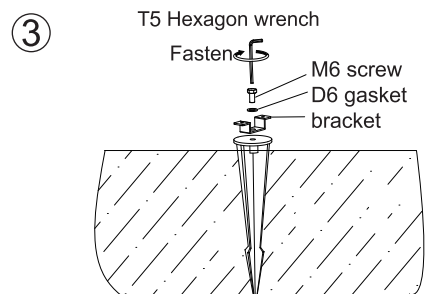
90°  
T5 Hexagon wrench  
Loosen the nut and adjust the Angle.
- 

T5 Hexagon wrench  
Fasten  
2.5Nm
- 

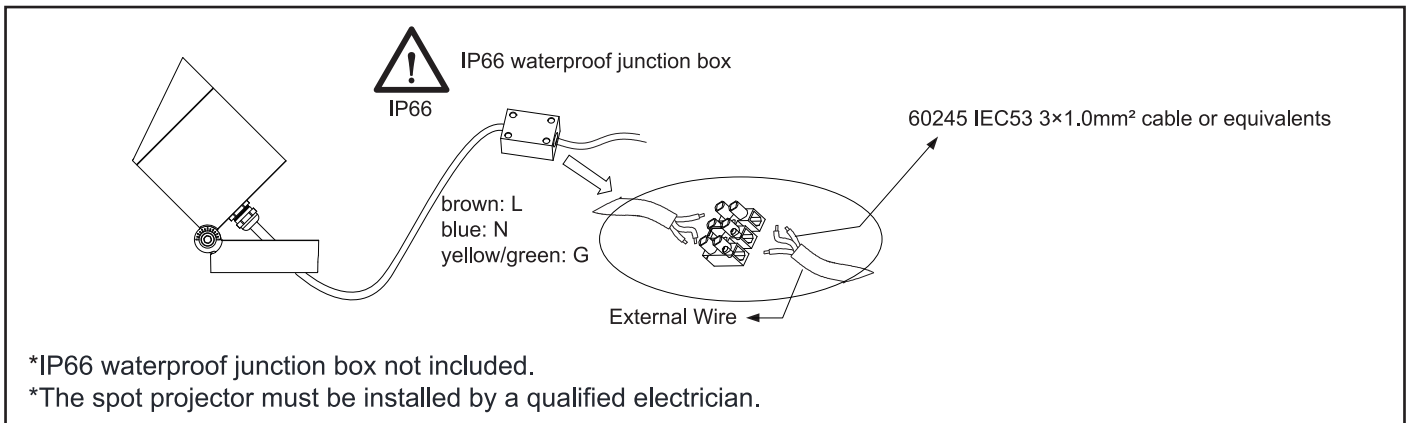
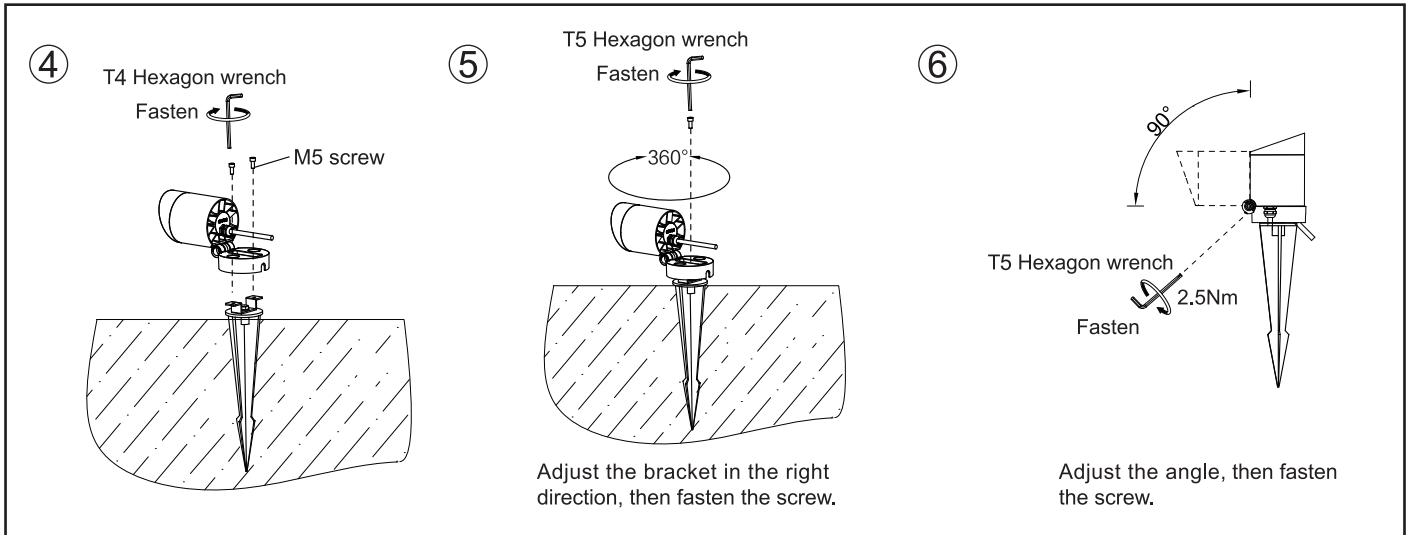
## Ground insertion installation

- 

\*Spike not included.
- 

Insert into the ground.
- 

T5 Hexagon wrench  
Fasten  
M6 screw  
D6 gasket bracket



- a) Applications : yards, buildings, squares, etc.
- b) Range of mounting heights : from ground to buildings < 5m.
- c) Suitable for outdoor use.



In case of broken glass the luminaire should be disposed of.

In case of damage to the wire, it has to be replaced only by the manufacturer, distributor or by an expert, to avoid risks.



Caution: Any operation on LED module is forbidden while power-on.

Zur Vermeidung von Risiken müssen defekte Leitungen ausschließlich vom Hersteller, Inverkehrbringer oder Fachmann ausgetauscht werden.

Achtung: In Betrieb ist keine Arbeit am LED-Modul erlaubt.



Do not stare directly at the light source.

The minimum safe viewing distance is 5m.



For use in environments where normal non-conductive/conductive dust accumulation may be expected, not for use in environments with expected high/unusual dust accumulation.

The light source of this luminaire is not replaceable; when the light source reaches its end of life the whole luminaire shall be replaced.

Das Leuchtmittel dieser Leuchte ist nicht austauschbar. Wenn das Leuchtmittel das Ende seiner Lebensdauer erreicht hat, muss die gesamte Leuchte ersetzt werden.



Suzhou Opple Lighting Co., Ltd.  
215200  
East Side, Fenyang Road,  
Fenhu Economic Development Zone,  
Wujiang City, Jiangsu Province,  
P.R.China

Opple Lighting BV  
Meerenakkerweg 1.11  
5652 AR Eindhoven  
The Netherlands  
service@opple.com  
www.opple.com