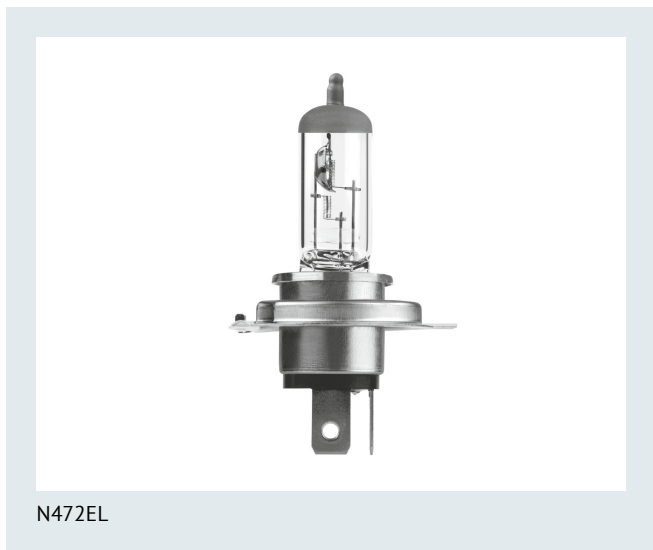




NEOLUX[®]
GERMAN TECHNOLOGY

Extra Light 60/55 W 12 V P43t

Car lamps from NEOLUX ensure the roads ahead are well-lit and visible to others.



N472EL

Product family benefits

- Better visibility
- Remarkable illumination
- Extra light enables drivers to see farther and thereby allows greater reaction time
- Earlier recognition of risks, barriers, and signs
- Affordable

Product family features

- Up to 50 % extra light
- High performance
- More brightness
- ECE certified lamps
- Good and reliable quality thanks to German technology

Areas of application

- Headlight
- Ideal for use in clear-glass headlights



N472EL



N472EL-2SCB

Product information

Application (Category and Product specific)	Halogen headlight lamp
---	------------------------

Electrical data

Power input	75 W
Test voltage	13.2 V
Nominal wattage	60/55 W
Nominal voltage	12.0 V

Photometrical data

Luminous flux	1650/1000 lm
Luminous flux tolerance	±12 %

Dimensions & weight

Product weight	23.00 g
Length	87.0 mm
Diameter	17.0 mm

Lifespan

Lifespan Tc	350 h
Lifespan B3	200 h

Additional product data

Base (standard designation)	P43t
-----------------------------	------

Capabilities

Technology	Halogen lamp
------------	--------------

Certificates & standards

ECE category	H4
British standard	472

Logistical data

Order reference	N472EL
-----------------	--------

Environmental information

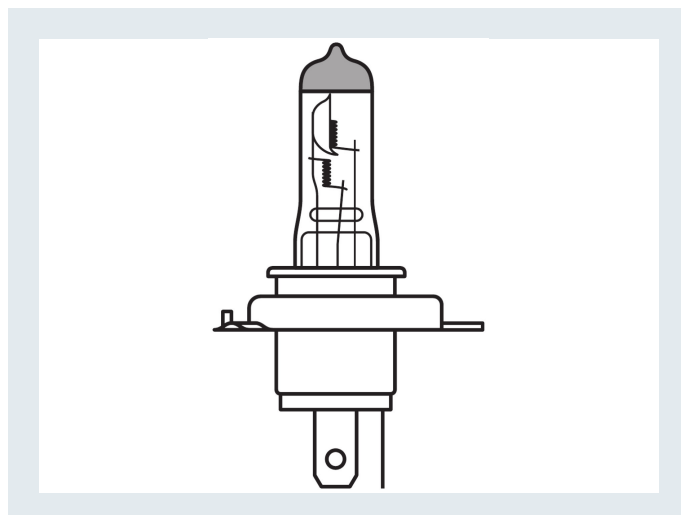
Date of Declaration	19-01-2022
Primary Article Identifier	4008321545701 4008321756800 4008321759351 4008321771438 4006584825684 4052899466296 4052899501034 4055462203045 405289998728 4055462246301

Candidate List Substance 1	No declarable substances contained
----------------------------	------------------------------------

Declaration No. in SCIP database	In work
----------------------------------	---------

Packaging Information

Packaging description	EAN	Packaging type	Amount of article
NEOLUX N472EL	4008321759351	Folding box	1
N472EL-2SCB	4052899501034	Soft cover box	2



Legal advice

Compared to minimum ECE R112/R37 requirements

NEOLUX[®]
GERMAN TECHNOLOGY

NEOLUX Automotive Lighting
OSRAM GmbH

Marcel-Breuer-Str 6
80807 Munich, Germany

Phone +49 89 6213-0
Fax +49 89 6213-2020

www.neolux-lighting.com