

44420260	<b>DATA SHEET</b>	
Valid from: 12.05.2021	<b>EPIC® POWERLOCK CRIMP CONTACTS</b>	


## Description

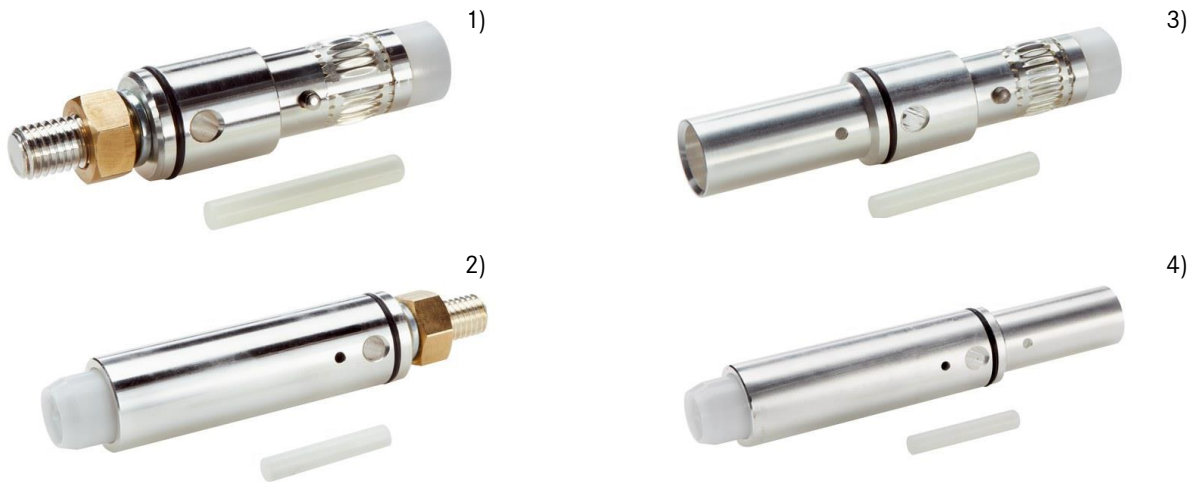
- Crimp contacts for Powerlock circular connectors



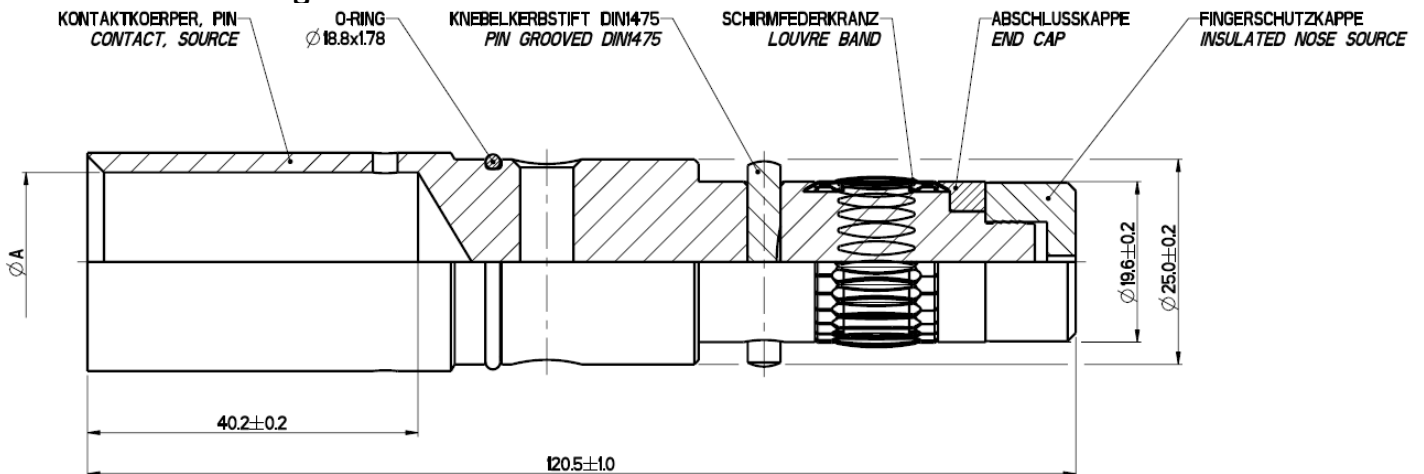
Article- Number	Article	Version	Torque value
<b>Source - contact with M12 threaded post, for type POWERLOCK A6 C <sup>1)</sup></b>			
44420261	POWERLOCK QP M12	Lamella contact source, M12 thread for cable lug	27,5 Nm – 31,4 Nm
<b>Drain - contact with M12 threaded post, for type POWERLOCK A1 C <sup>2)</sup></b>			
44420260	POWERLOCK SP M12	Contact drain, M12 thread for cable lugs	27,5 Nm – 31,4 Nm
<b>Source - Crimp contact, for type POWERLOCK D6 C <sup>3)</sup></b>			<b>Crimping jaws</b>
44420290	POWERLOCK QCM 35	35 mm <sup>2</sup>	35 mm <sup>2</sup>
44420291	POWERLOCK QCM 50	50 mm <sup>2</sup>	50 mm <sup>2</sup>
44420292	POWERLOCK QCM 70	70 mm <sup>2</sup>	70 mm <sup>2</sup>
44420236	POWERLOCK QCM 95	95 mm <sup>2</sup>	95 mm <sup>2</sup>
44420238	POWERLOCK QCM 120	120 mm <sup>2</sup>	120 mm <sup>2</sup>
44420257	POWERLOCK QCM 150	150 mm <sup>2</sup>	150 mm <sup>2</sup>
44420239	POWERLOCK QCM 185	185 mm <sup>2</sup>	185 mm <sup>2</sup>
44420240	POWERLOCK QCM 240	240 mm <sup>2</sup>	240 mm <sup>2</sup>
44420324	POWERLOCK QCM 240 NEW	240 mm <sup>2</sup>	240 mm <sup>2</sup>
<b>Drain - Crimp contact, for type POWERLOCK F6 C <sup>4)</sup></b>			
44420293	POWERLOCK SCM 35	35 mm <sup>2</sup>	35 mm <sup>2</sup>
44420294	POWERLOCK SCM 50	50 mm <sup>2</sup>	50 mm <sup>2</sup>
44420295	POWERLOCK SCM 70	70 mm <sup>2</sup>	70 mm <sup>2</sup>
44420231	POWERLOCK SCM 95	95 mm <sup>2</sup>	95 mm <sup>2</sup>
44420233	POWERLOCK SCM 120	120 mm <sup>2</sup>	120 mm <sup>2</sup>
44420256	POWERLOCK SCM 150	150 mm <sup>2</sup>	150 mm <sup>2</sup>
44420234	POWERLOCK SCM 185	185 mm <sup>2</sup>	185 mm <sup>2</sup>
44420235	POWERLOCK SCM 240	240 mm <sup>2</sup>	240 mm <sup>2</sup>
44420339	POWERLOCK SCM 240 NEW	240 mm <sup>2</sup>	240 mm <sup>2</sup>

Creator: STKU3/PDP Released: IVSE1/PDP	Document: DB44420260EN Version: 07	Page 1 of 2
---	---------------------------------------	-------------

44420260	<b>DATA SHEET</b>	
Valid from: 12.05.2021	<b>EPIC® POWERLOCK CRIMP CONTACTS</b>	



### Technical drawing:



Anschluss [mm <sup>2</sup> ]	Ø A [mm]
35	9,55
50	11,20
70	13,00
95	14,90
120	16,50
150	18,60
185	21,00
240 (NEW)	21,80
240	24,00

### Attention:

The effective copper cross-sections of cables are significantly smaller than the electrical values given.

**We always recommend qualifying the cable-contact combination.**

(From 120 mm<sup>2</sup> strong effects on the quality of the connection.

Example: 240 mm<sup>2</sup> cables fit better in 185 mm<sup>2</sup> contacts.)

### Info

Max. amperage for crimps 660 A

Do not plug with screw-type (400 A)

### Remark

Photographs are not to scale and do not represent detailed images of the respective products.

Creator: STKU3/PDP Released: IVSE1/PDP	Document: DB44420260EN Version: 07	Page 2 of 2
---	---------------------------------------	-------------