

DLH DQ 6.10 H55 L260 GS CU (202 017)

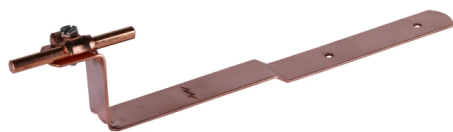
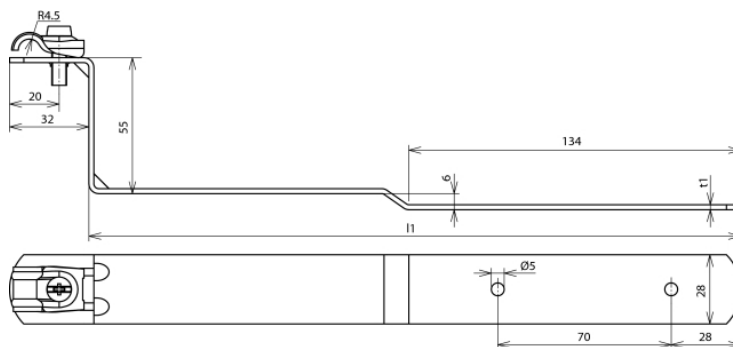


Figure without obligation



Type	DLH DQ 6.10 H55 L260 GS CU
Part No.	202 017
Material of roof conductor holder	Cu
Height of brace	55 mm
Length of brace	260 / 2 mm
Material of conductor holder	Cu
Conductor support Rd	6-10 mm
Type of conductor holder	DEHNquick
Conductor routing	fixed
Type of roofing	tiled, slated, roofing felt
Type of brace	cranked
Fixing possibility	nailing, underlaying
Hole Ø	8.4 mm
Weight	189 g
Customs tariff number	85389099
GTIN	4013364019904
PU	1 Stk

We reserve the right to introduce changes in performance, configuration and technology, dimensions, weights and materials in the course of technical progress. The figures are shown without obligation.