

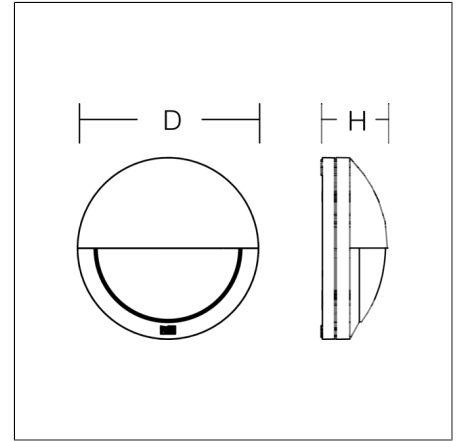
ROUNDED midi

582013.0031 | Wall luminaires



Wall luminaires
4051859217855
D 268, H 96

Wall (surface)
anthracite metallic (DB703)



Round wall luminaire with elegant appearance for outdoor use. Base and housing made of corrosion resistant pressure die-cast aluminium, seawater resistant powder-coated. With membrane valve as a standard to avoid condensed water. Diffuser: spherical cap made of opal plastic (polycarbonate); with diffuser fixing. Screwless cover fixing via bayonet lock. Base fixing slots outside of gasketed area, drill hole deviations can be compensated. With second cable entry for loop through. Mains connection 2 x 3 x 1.5 mm².

Product specifications

Diameter D	268 mm
Height H	96 mm
Weight	2.1 kg
Light source	LED
Colour temperature	4000 K
Rated luminous flux	180 lm
System power	10 W
System efficiency	18 lm/W
Glare evaluation UGR (4H 8H)	27,3
Beam angle	down 90°/76°/0°/76° up 90°/90°/0°/90°
Rated life	45000 h (L70/B50)
Colour rendering index (CRI)	80
Colour tolerance	3
Photobiological safety according to EN 62471	Risk group 1
Driver	Not necessary
Control	on/off
Voltage	220 - 240 V / 50 - 60 Hz
Inrush current / Inrush current duration	0.04 A / 60000 µs
CIE Flux Code / CEN Flux Code	20 48 76 77 100
Type of protection	IP 66
Protection class	I
Filament test	850°C - 30 seconds
Impact resistance	IK10
Ambient temperature	-20 °C ... + 41 °C
Conformity mark	CE, EAC

Accessories



982410.003
Theft protection

ROUNDED midi

582013.0031 | Wall luminaires



Spareparts



982516.002
Replacement diffuser