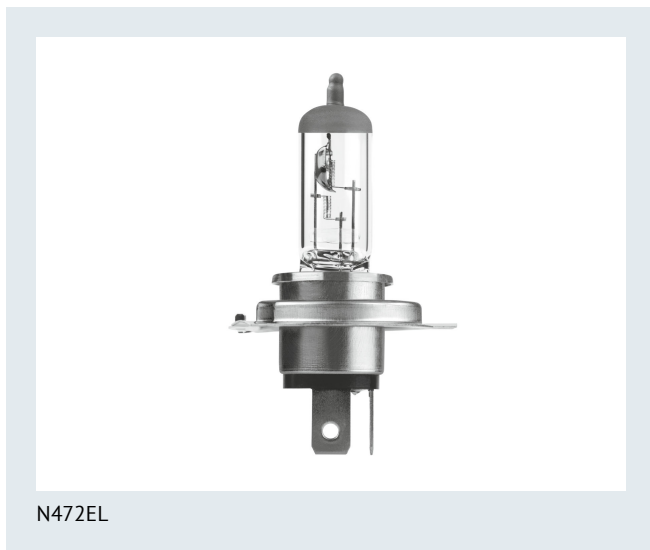




**NEOLUX**<sup>®</sup>  
GERMAN TECHNOLOGY

## Extra Light 60/55 W 12 V P43t

Car lamps from NEOLUX ensure the roads ahead are well-lit and visible to others.



N472EL

### Product family benefits

- Better visibility
- Remarkable illumination
- Extra light enables drivers to see farther and thereby allows greater reaction time
- Earlier recognition of risks, barriers, and signs
- Affordable

### Product family features

- Up to 50 % extra light
- High performance
- More brightness
- ECE certified lamps
- Good and reliable quality thanks to German technology

### Areas of application

- Headlight
- Ideal for use in clear-glass headlights



N472EL



N472EL-2SCB

**Product information**

Application (Category and Product specific)	Halogen headlight lamp
---	------------------------

**Electrical data**

Power input	75 W
Test voltage	13.2 V
Nominal wattage	60/55 W
Nominal voltage	12.0 V

**Photometrical data**

Luminous flux	1650/1000 lm
Luminous flux tolerance	±12 %

**Dimensions & weight**

Product weight	23.00 g
Length	87.0 mm
Diameter	17.0 mm

**Lifespan**

Lifespan Tc	350 h
Lifespan B3	200 h

**Additional product data**

Base (standard designation)	P43t
-----------------------------	------

**Capabilities**

Technology	Halogen lamp
------------	--------------

**Certificates & standards**

ECE category	H4
British standard	472

**Logistical data**

Order reference	N472EL
-----------------	--------

**Environmental information**

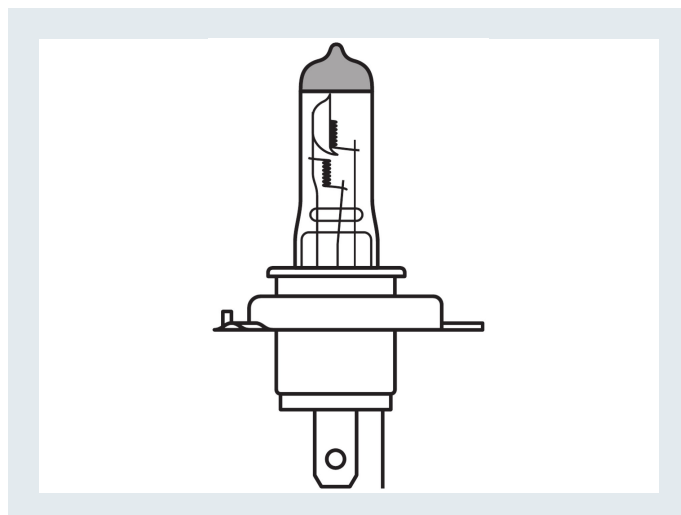
Date of Declaration	19-01-2022
Primary Article Identifier	4008321545701   4008321756800   4008321759351   4008321771438   4006584825684   4052899466296   4052899501034   4055462203045   405289998728   4055462246301

Candidate List Substance 1	No declarable substances contained
----------------------------	------------------------------------

Declaration No. in SCIP database	In work
----------------------------------	---------

**Packaging Information**

Packaging description	EAN	Packaging type	Amount of article
NEOLUX N472EL	4008321759351	Folding box	1
N472EL-2SCB	4052899501034	Soft cover box	2



**Legal advice**

Compared to minimum ECE R112/R37 requirements

**NEOLUX**<sup>®</sup>  
GERMAN TECHNOLOGY

NEOLUX Automotive Lighting  
OSRAM GmbH

Marcel-Breuer-Str 6  
80807 Munich, Germany

Phone +49 89 6213-0  
Fax +49 89 6213-2020

[www.neolux-lighting.com](http://www.neolux-lighting.com)