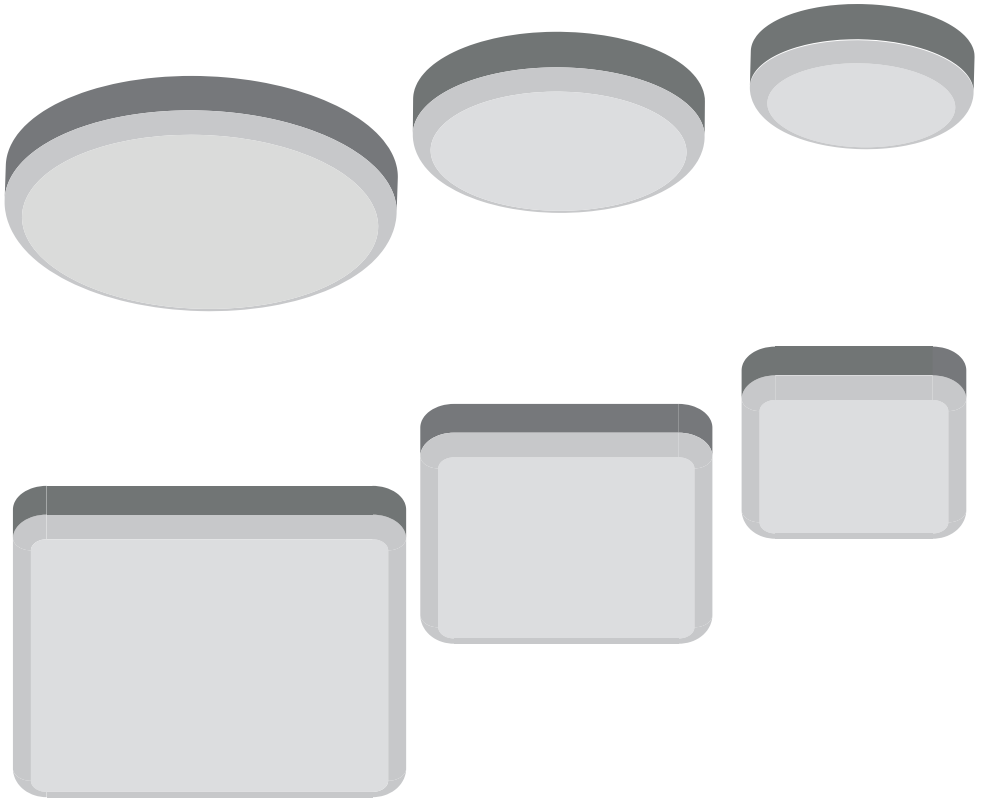
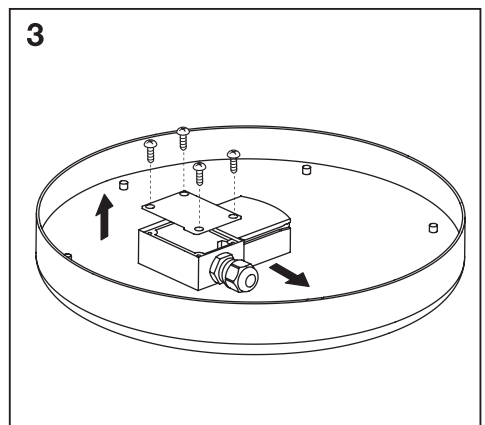
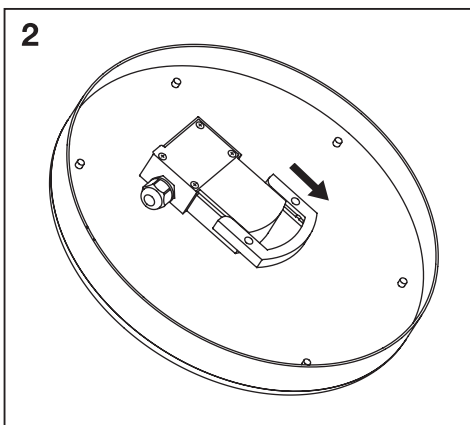
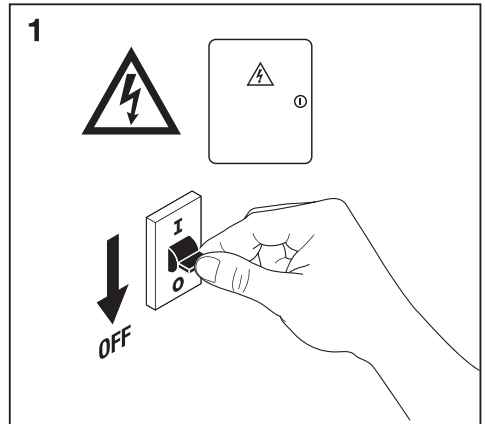
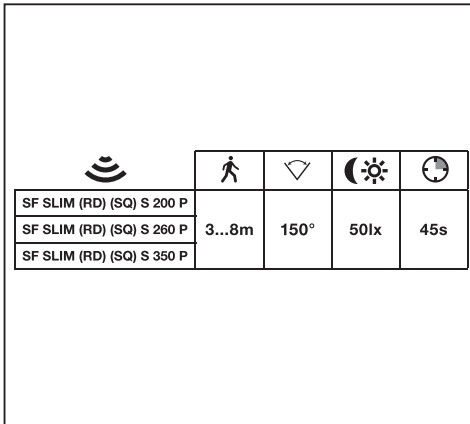
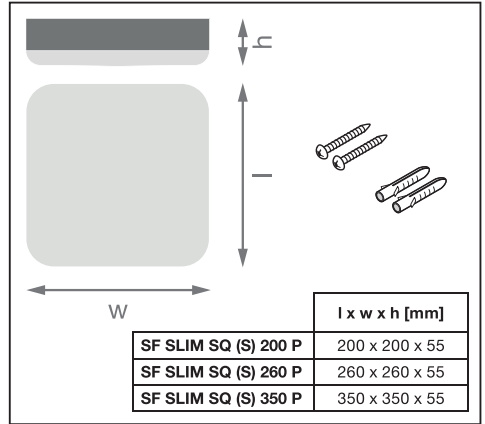
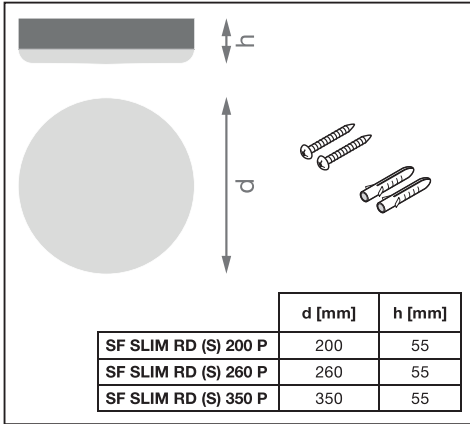


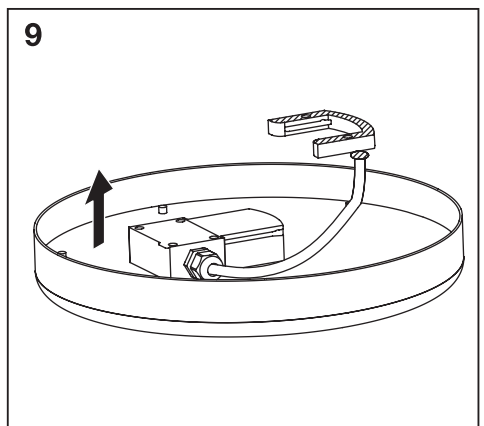
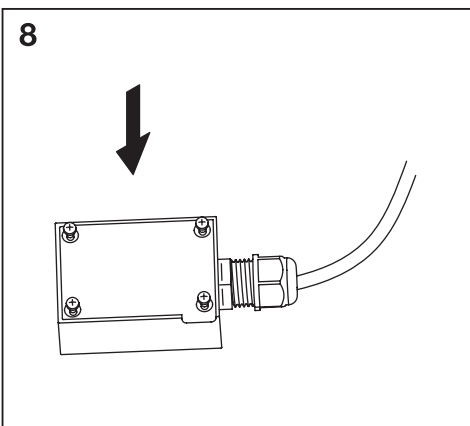
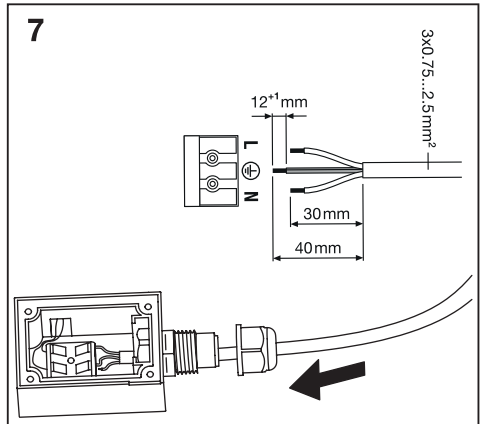
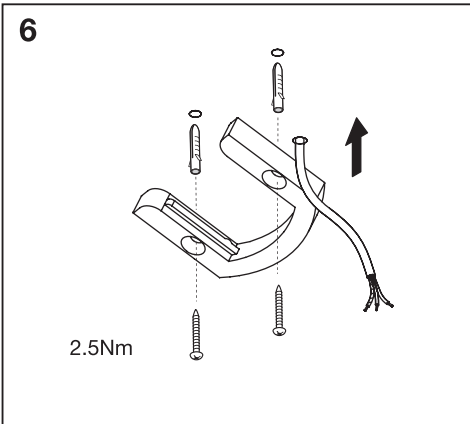
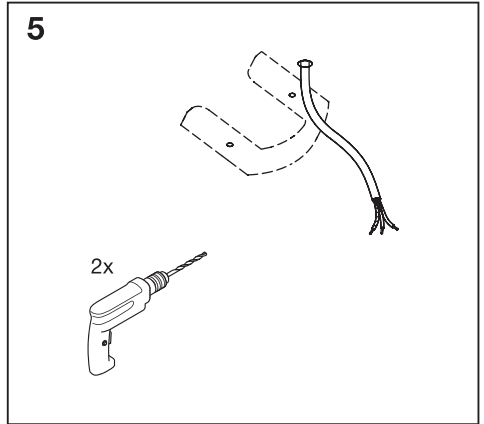
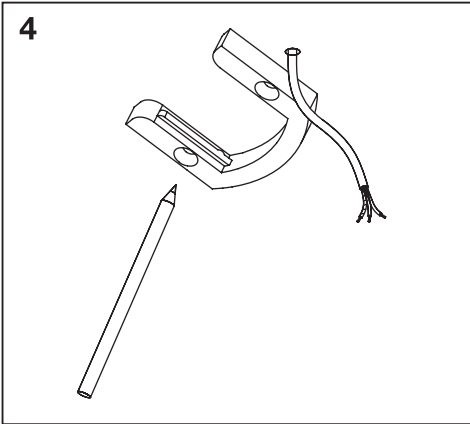
SURFACE SLIM

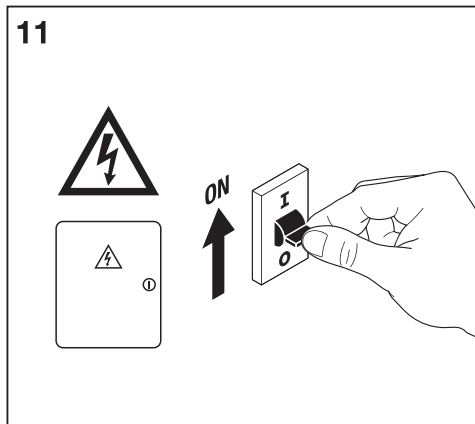
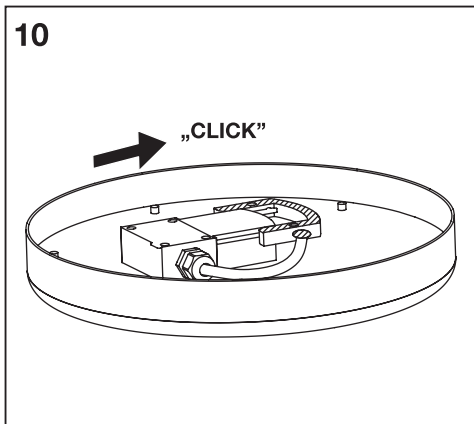


	EAN	I x w x h [mm]	W	VAC	Hz	lm	lm/W	K
SF SLIM RD 200 P 10W 830 IP65 WT	4099854102455	Φ 200 x 55	10	220-240	50/60	1050	105	3000
SF SLIM RD S 200 P 10W 830 IP65 WT	4099854102479	Φ 200 x 55	10	220-240	50/60	1050	105	3000
SF SLIM RD 200 P 10W 840 IP65 WT	4099854102493	Φ 200 x 55	10	220-240	50/60	1050	105	4000
SF SLIM RD S 200 P 10W 840 IP65 WT	4099854102516	Φ 200 x 55	10	220-240	50/60	1050	105	4000
SF SLIM RD 200 P 19W 830 IP65 WT	4099854102530	Φ 200 x 55	19	220-240	50/60	2000	105	3000
SF SLIM RD S 200 P 19W 830 IP65 WT	4099854102554	Φ 200 x 55	19	220-240	50/60	2000	105	3000
SF SLIM RD 200 P 19W 840 IP65 WT	4099854102578	Φ 200 x 55	19	220-240	50/60	2000	105	4000
SF SLIM RD S 200 P 19W 840 IP65 WT	4099854102592	Φ 200 x 55	19	220-240	50/60	2000	105	4000
SF SLIM RD 260 P 26W 830 IP65 WT	4099854102615	Φ 260 x 55	26	220-240	50/60	2730	105	3000
SF SLIM RD S 260 P 26W 830 IP65 WT	4099854102639	Φ 260 x 55	26	220-240	50/60	2730	105	3000
SF SLIM RD 260 P 26W 840 IP65 WT	4099854102653	Φ 260 x 55	26	220-240	50/60	2730	105	4000
SF SLIM RD S 260 P 26W 840 IP65 WT	4099854102677	Φ 260 x 55	26	220-240	50/60	2730	105	4000
SF SLIM RD 350 P 35W 830 IP65 WT	4099854102691	Φ 350 x 55	35	220-240	50/60	3680	105	3000
SF SLIM RD S 350 P 35W 830 IP65 WT	4099854102714	Φ 350 x 55	35	220-240	50/60	3680	105	3000
SF SLIM RD 350 P 35W 840 IP65 WT	4099854102738	Φ 350 x 55	35	220-240	50/60	3680	105	4000
SF SLIM RD S 350 P 35W 840 IP65 WT	4099854102752	Φ 350 x 55	35	220-240	50/60	3680	105	4000
SF SLIM SQ 200 P 10W 830 IP65 WT	4099854102776	200 x 200 x 55	10	220-240	50/60	1050	105	3000
SF SLIM SQ S 200 P 10W 830 IP65 WT	4099854102790	200 x 200 x 55	10	220-240	50/60	1050	105	3000
SF SLIM SQ 200 P 10W 840 IP65 WT	4099854102813	200 x 200 x 55	10	220-240	50/60	1050	105	4000
SF SLIM SQ S 200 P 10W 840 IP65 WT	4099854102837	200 x 200 x 55	10	220-240	50/60	1050	105	4000
SF SLIM SQ 200 P 19W 830 IP65 WT	4099854102851	200 x 200 x 55	19	220-240	50/60	2000	105	3000
SF SLIM SQ S 200 P 19W 830 IP65 WT	4099854102875	200 x 200 x 55	19	220-240	50/60	2000	105	3000
SF SLIM SQ 200 P 19W 840 IP65 WT	4099854102899	200 x 200 x 55	19	220-240	50/60	2000	105	4000
SF SLIM SQ S 200 P 19W 840 IP65 WT	4099854102912	200 x 200 x 55	19	220-240	50/60	2000	105	4000
SF SLIM SQ 260 P 26W 830 IP65 WT	4099854102936	260 x 260 x 55	26	220-240	50/60	2730	105	3000
SF SLIM SQ S 260 P 26W 830 IP65 WT	4099854102950	260 x 260 x 55	26	220-240	50/60	2730	105	3000
SF SLIM SQ 260 P 26W 840 IP65 WT	4099854102974	260 x 260 x 55	26	220-240	50/60	2730	105	4000
SF SLIM SQ S 260 P 26W 840 IP65 WT	4099854102998	260 x 260 x 55	26	220-240	50/60	2730	105	4000
SF SLIM SQ 350 P 35W 830 IP65 WT	4099854103018	350 x 350 x 55	35	220-240	50/60	3680	105	3000
SF SLIM SQ S 350 P 35W 830 IP65 WT	4099854103032	350 x 350 x 55	35	220-240	50/60	3680	105	3000
SF SLIM SQ 350 P 35W 840 IP65 WT	4099854103056	350 x 350 x 55	35	220-240	50/60	3680	105	4000
SF SLIM SQ S 350 P 35W 840 IP65 WT	4099854103070	350 x 350 x 55	35	220-240	50/60	3680	105	4000

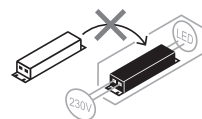
	EAN	IP	IK	▽	R _a	°(°C)	PF	👤
SF SLIM RD 200 P 10W 830 IP65 WT	4099854102455	65	10	120	>80	-30° .. +50°	>0.9	0,39
SF SLIM RD S 200 P 10W 830 IP65 WT	4099854102479	65	10	120	>80	-30° .. +50°	>0.9	0,39
SF SLIM RD 200 P 10W 840 IP65 WT	4099854102493	65	10	120	>80	-30° .. +50°	>0.9	0,39
SF SLIM RD S 200 P 10W 840 IP65 WT	4099854102516	65	10	120	>80	-30° .. +50°	>0.9	0,39
SF SLIM RD 200 P 19W 830 IP65 WT	4099854102530	65	10	120	>80	-30° .. +50°	>0.9	0,4
SF SLIM RD S 200 P 19W 830 IP65 WT	4099854102554	65	10	120	>80	-30° .. +50°	>0.9	0,4
SF SLIM RD 200 P 19W 840 IP65 WT	4099854102578	65	10	120	>80	-30° .. +50°	>0.9	0,4
SF SLIM RD S 200 P 19W 840 IP65 WT	4099854102592	65	10	120	>80	-30° .. +50°	>0.9	0,4
SF SLIM RD 260 P 26W 830 IP65 WT	4099854102615	65	10	120	>80	-30° .. +50°	>0.9	0,59
SF SLIM RD S 260 P 26W 830 IP65 WT	4099854102639	65	10	120	>80	-30° .. +50°	>0.9	0,59
SF SLIM RD 260 P 26W 840 IP65 WT	4099854102653	65	10	120	>80	-30° .. +50°	>0.9	0,59
SF SLIM RD S 260 P 26W 840 IP65 WT	4099854102677	65	10	120	>80	-30° .. +50°	>0.9	0,59
SF SLIM RD 350 P 35W 830 IP65 WT	4099854102691	65	10	120	>80	-30° .. +50°	>0.9	1,03
SF SLIM RD S 350 P 35W 830 IP65 WT	4099854102714	65	10	120	>80	-30° .. +50°	>0.9	1,03
SF SLIM RD 350 P 35W 840 IP65 WT	4099854102738	65	10	120	>80	-30° .. +50°	>0.9	1,03
SF SLIM RD S 350 P 35W 840 IP65 WT	4099854102752	65	10	120	>80	-30° .. +50°	>0.9	1,03
SF SLIM SQ 200 P 10W 830 IP65 WT	4099854102776	65	10	120	>80	-30° .. +50°	>0.9	0,45
SF SLIM SQ S 200 P 10W 830 IP65 WT	4099854102790	65	10	120	>80	-30° .. +50°	>0.9	0,45
SF SLIM SQ 200 P 10W 840 IP65 WT	4099854102813	65	10	120	>80	-30° .. +50°	>0.9	0,45
SF SLIM SQ S 200 P 10W 840 IP65 WT	4099854102837	65	10	120	>80	-30° .. +50°	>0.9	0,45
SF SLIM SQ 200 P 19W 830 IP65 WT	4099854102851	65	10	120	>80	-30° .. +50°	>0.9	0,46
SF SLIM SQ S 200 P 19W 830 IP65 WT	4099854102875	65	10	120	>80	-30° .. +50°	>0.9	0,46
SF SLIM SQ 200 P 19W 840 IP65 WT	4099854102899	65	10	120	>80	-30° .. +50°	>0.9	0,46
SF SLIM SQ S 200 P 19W 840 IP65 WT	4099854102912	65	10	120	>80	-30° .. +50°	>0.9	0,46
SF SLIM SQ 260 P 26W 830 IP65 WT	4099854102936	65	10	120	>80	-30° .. +50°	>0.9	0,69
SF SLIM SQ S 260 P 26W 830 IP65 WT	4099854102950	65	10	120	>80	-30° .. +50°	>0.9	0,69
SF SLIM SQ 260 P 26W 840 IP65 WT	4099854102974	65	10	120	>80	-30° .. +50°	>0.9	0,69
SF SLIM SQ S 260 P 26W 840 IP65 WT	4099854102998	65	10	120	>80	-30° .. +50°	>0.9	0,69
SF SLIM SQ 350 P 35W 830 IP65 WT	4099854103018	65	10	120	>80	-30° .. +50°	>0.9	1,23
SF SLIM SQ S 350 P 35W 830 IP65 WT	4099854103032	65	10	120	>80	-30° .. +50°	>0.9	1,23
SF SLIM SQ 350 P 35W 840 IP65 WT	4099854103056	65	10	120	>80	-30° .. +50°	>0.9	1,23
SF SLIM SQ S 350 P 35W 840 IP65 WT	4099854103070	65	10	120	>80	-30° .. +50°	>0.9	1,23







	Inrush current [A]	Th50 [µs]	B10	B16	B32	C10	C16	C32
SF SLIM 200 P (S) 10W IP65 WT	3,48	470	37	48	96	48	78	156
SF SLIM 200 P (S) 19W IP65 WT	9,08	352	17	22	45	22	35	70
SF SLIM 260 P (S) 26W IP65 WT	10,44	660	10	13	26	13	22	44
SF SLIM 350 P (S) 35W IP65 WT	10,36	630	10	13	26	13	22	44



G10449057
G11164714

10.03.23



© LEDVANCE Ltd, Aquila House
Delta Crescent, Westbrook, Warrington
WA5 7NR, United Kingdom

LEDVANCE GmbH
Steinerne Furt 62
86167 Augsburg, Germany
www.ledvance.com