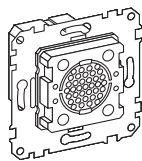


Electronic signal insert 230 V

Operating instructions



Art. no. MTN352001

For your safety



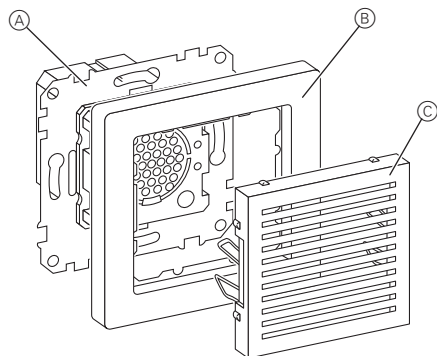
DANGER

Risk of fatal injury from electrical current.

All work on the device should only be carried out by skilled electricians. The country-specific regulations must be followed.

Electronic signal insert introduction

The electronic signal insert has three push-button inputs, to which you can assign different melodies. With a connected push-button, you can call up the melody of the relevant push-button input and select a new melody. Five different melodies are available to choose from. Use the push-button with make contact or push-button with orientation light to control the push-button inputs.



(A) Electronic signal insert

(B) Frame

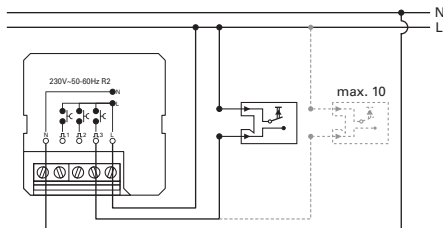
(C) Central plate for acoustic signal generators

Electronic signal insert completion

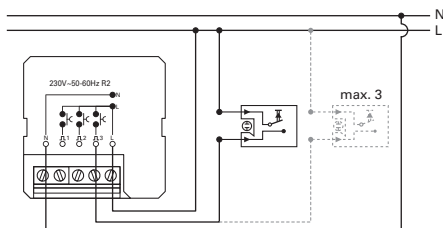
Complete the electronic signal insert with a central plate for acoustic signal generators and a frame.

Electronic signal insert installation

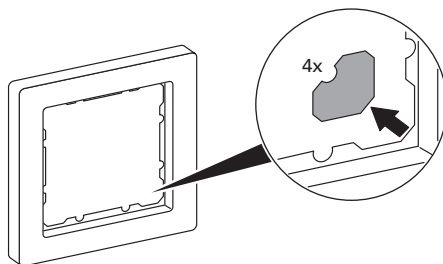
- Connect the electronic signal insert as shown in the following circuit diagrams.
 - Electric signal insert with push-button (make contact), max. ten per push-button input



- Electric signal insert with push-button with orientation light, max. three per push-button input



- Install electronic signal insert in a 40 mm deep flush-mounted socket and fasten to the socket using two screws.
- Break off the four corners in the frame, e.g. with a set of pliers (for System M frames).



- Position the frame and fix using the central plate for acoustic signal generators.

Electronic signal insert programming

Five different melodies are available per push-button input. Programming the melodies is performed as follows:

- Press the push-button connected to the push-button input for 15 seconds.

The electronic signal insert switches to programming mode and plays the five melodies available, one after the other.

- Briefly press the push-button to select the desired melody.

The electronic signal insert saves the melody that is currently being played.

Programming mode is exited if a melody is not selected within 3 minutes and the original melody remains active.

You can assign a different melody to each push-button input.

Technical data

Nominal voltage:	230 V AC, 50 - 60 Hz
Current consumption:	14 mA
Volume:	70 db/ 1 m
Push-button inputs:	3
Programmable melodies per push-button input:	5
Max. connections per push-button input:	
Push-button (make contact):	10
Push-button with orientation light:	3 (1 mA)

Schneider Electric Industries SAS

If you have technical questions, please contact the Customer Care Center in your country.
www.schneider-electric.com

This product must be installed, connected and used in compliance with prevailing standards and/or installation regulations. As standards, specifications and designs develop from time to time, always ask for confirmation of the information given in this publication.