

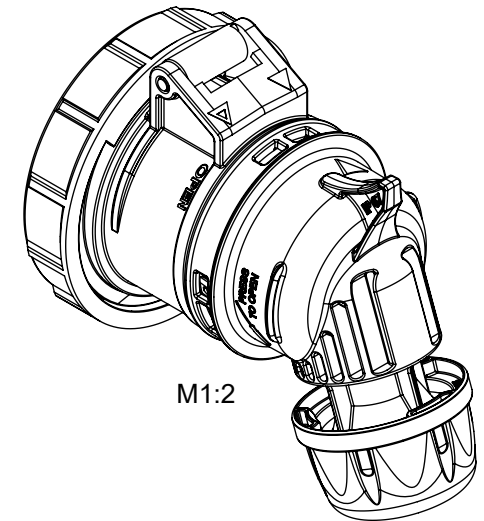
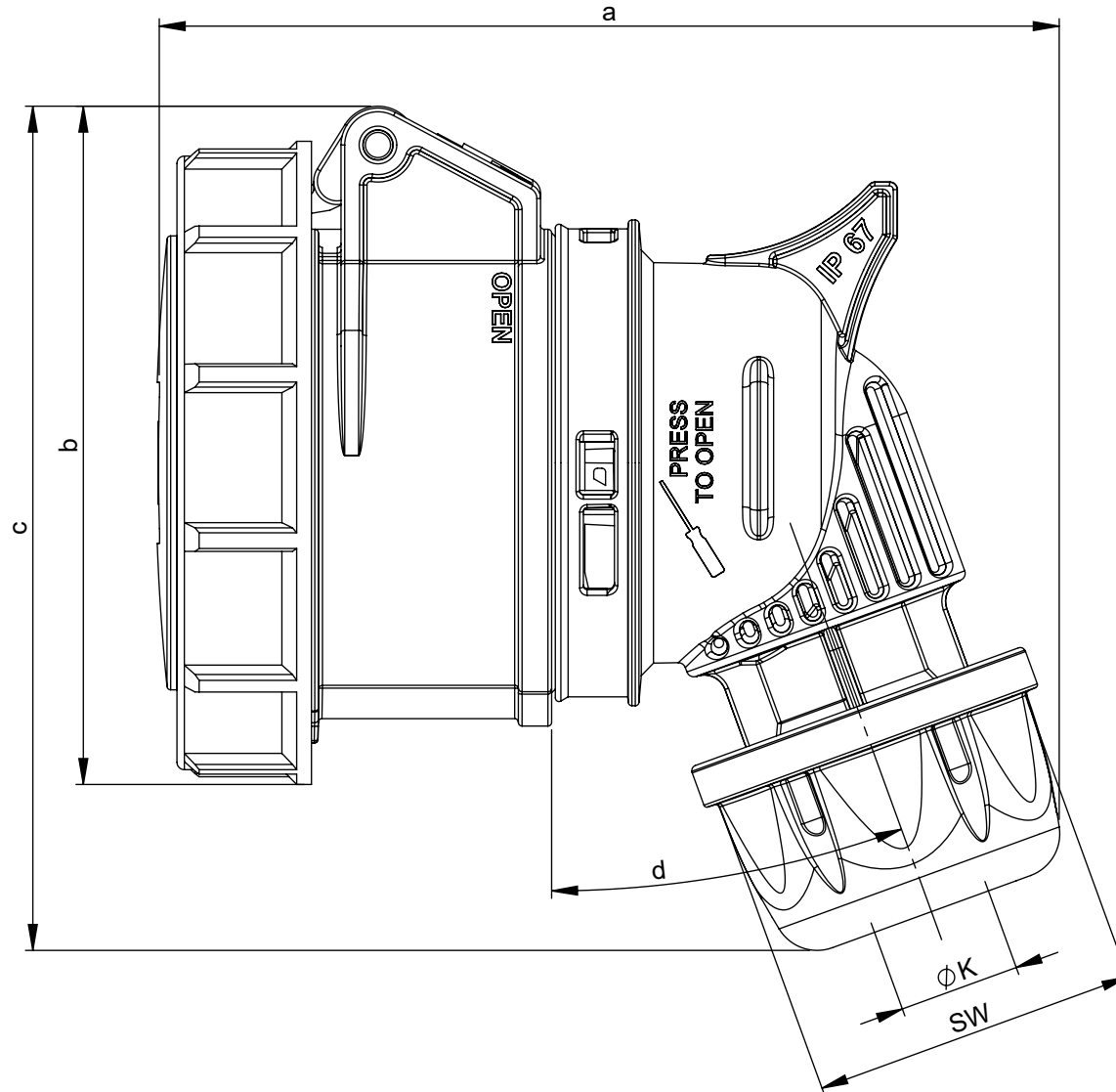
Maßskizze / dimensional drawing

Benennung: Winkelkupplung 7-polig IP66/67 TWIST

description: Angled connector 7-pole IP66/67 TWIST

Teilenummer / part number: 82172-*, 82272-*

PCE



Ampere	16	32
Pole	7	7
a [mm]	122	152
b [mm]	92	102
c [mm]	115	126
d [°]	20	25
K [mm]	8-16	11,5-22
SW [mm]	42	50