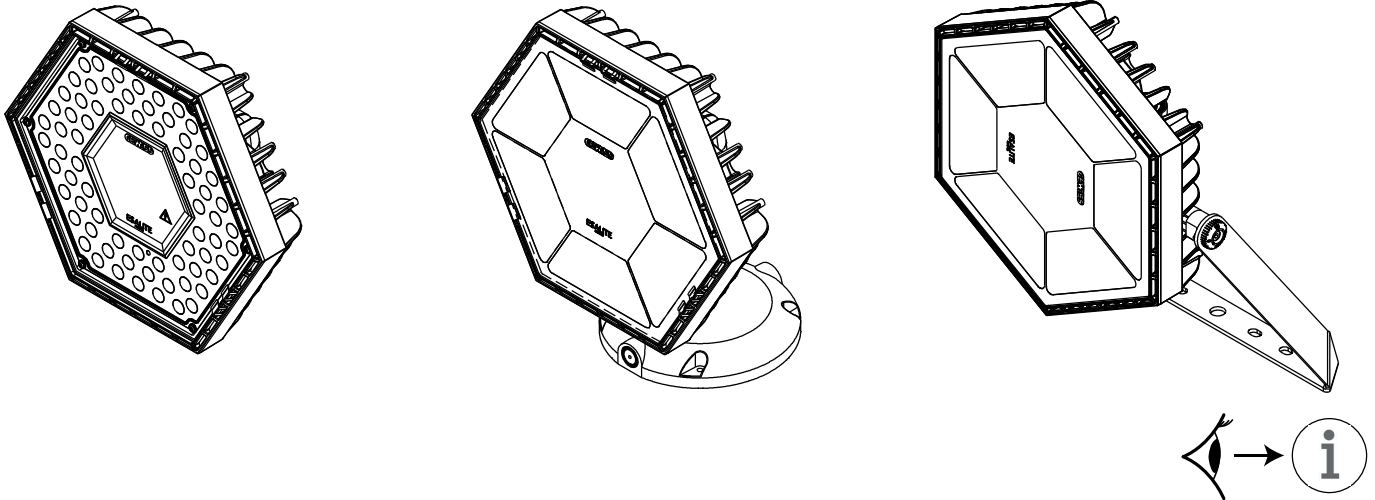


# ESALITE 12K-16K-20K

# GEWISS

## HIGHBAY - FLOODLIGHTS



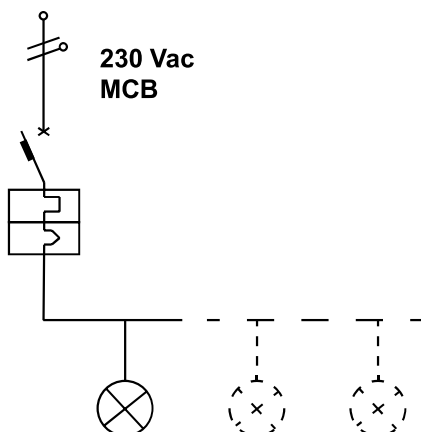
+50°C  
-30°C

$t_q$  25°C


		<b>IP</b>			
30°		IP65			
60° 90° ELL.		IP65			
		IP66			

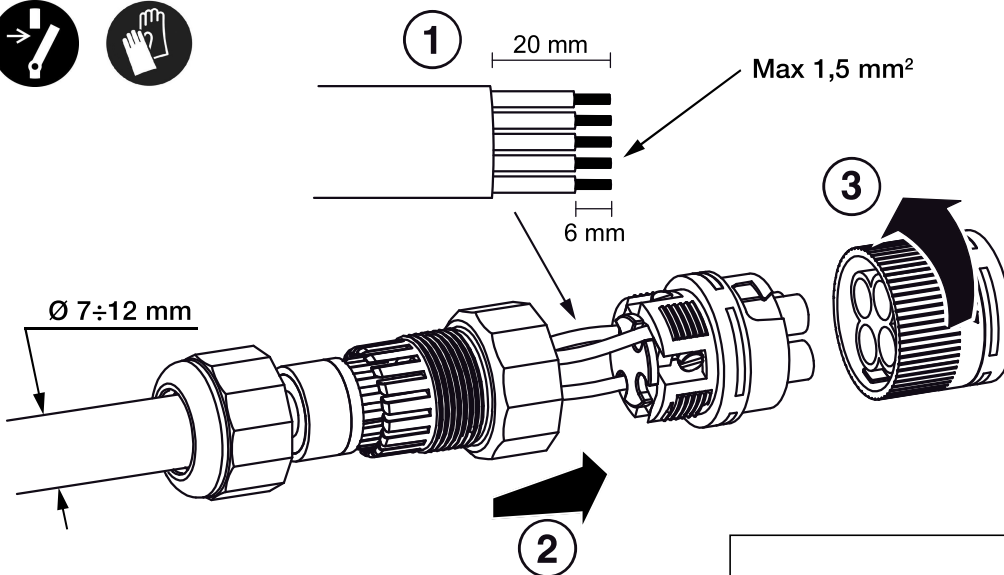
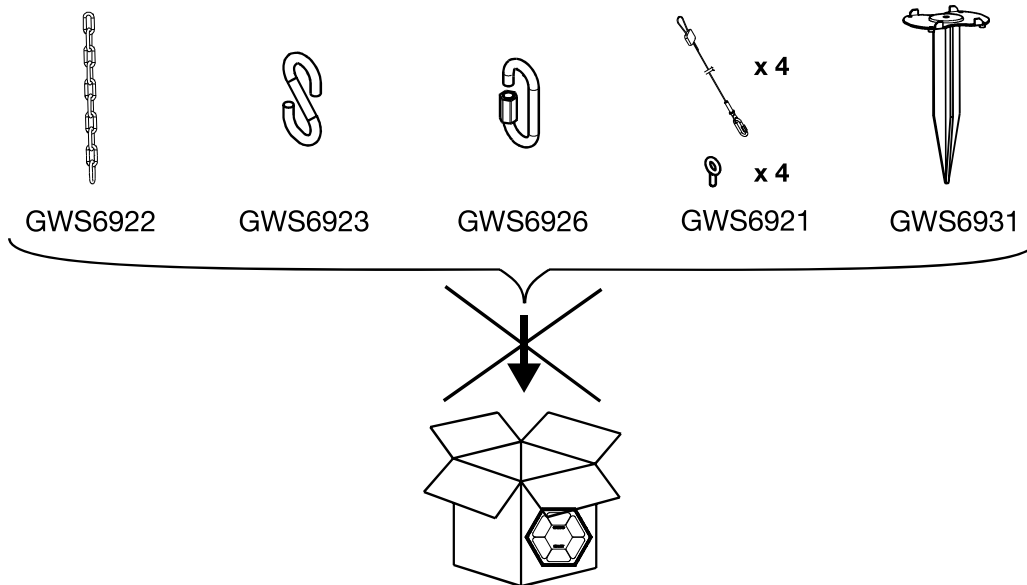
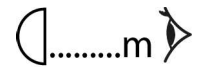
	$I_{LED} (A)$		
	$t_a$ 50°C	$t_a$ 45°C	$t_a$ 40°C
12 K	700 mA	700 mA	700 mA
16 K	600 mA	600 mA	600 mA
20 K	570 mA	650 mA	700 mA

	<b>Kg</b>			
	7,5	Max. 30 m	0,12 m <sup>2</sup>	0,05 m <sup>2</sup>
	8,5	Max. 30 m	0,14 m <sup>2</sup>	0,07 m <sup>2</sup>
	9,5	Max. 30 m	0,13 m <sup>2</sup>	0,07 m <sup>2</sup>

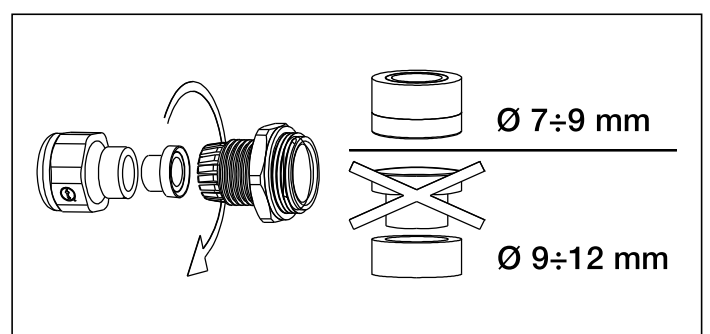
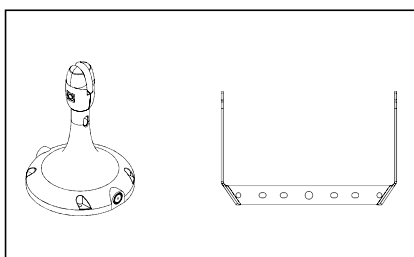


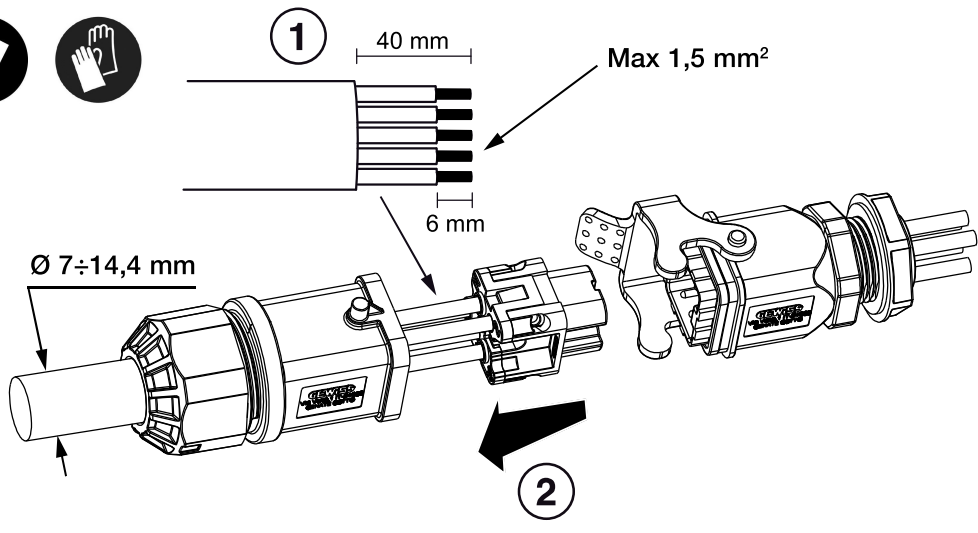
MCB Type B	10A	16A	20A
	5	8	10
MCB Type C	10A	16A	20A
	8	13	16

	≤ 5700K			
	30°	60°	90°	Elliptical
	RG1:	RG1:	RG1:	RG1:
	2,5 m	3,5 m	3 m	4 m

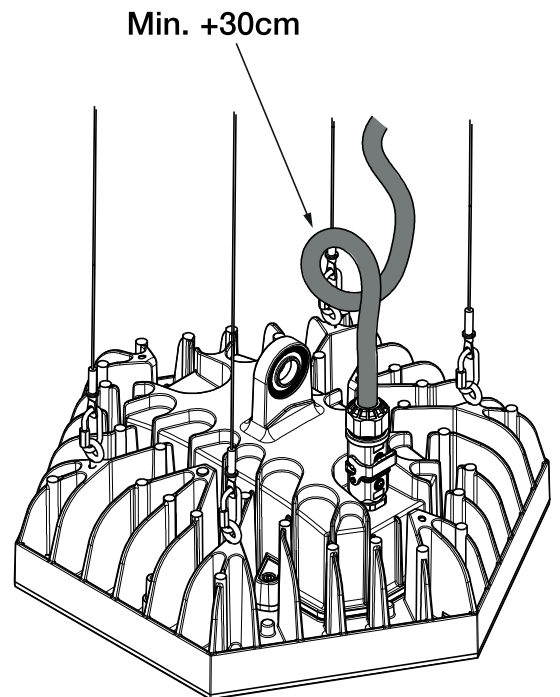
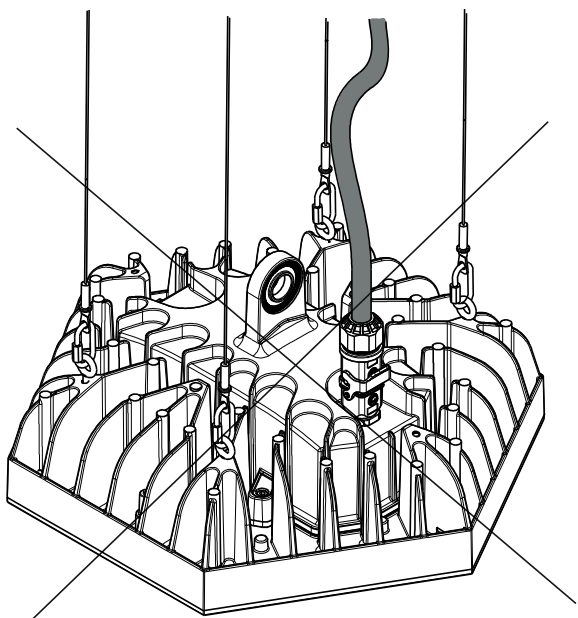
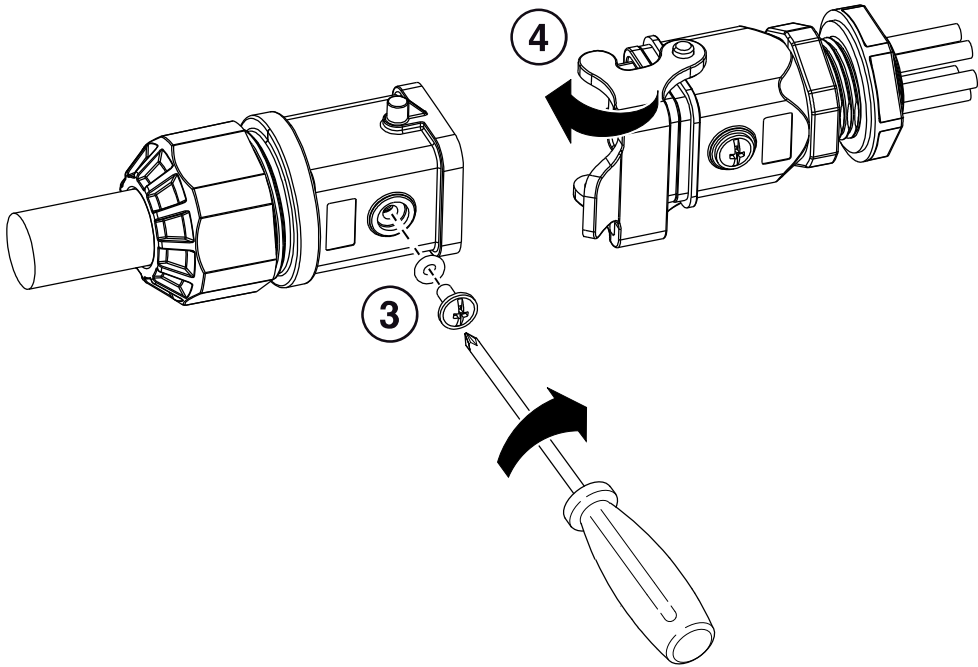


①	=	L
③	=	N
④	=	⊕
②	=	DALI
⑤	=	





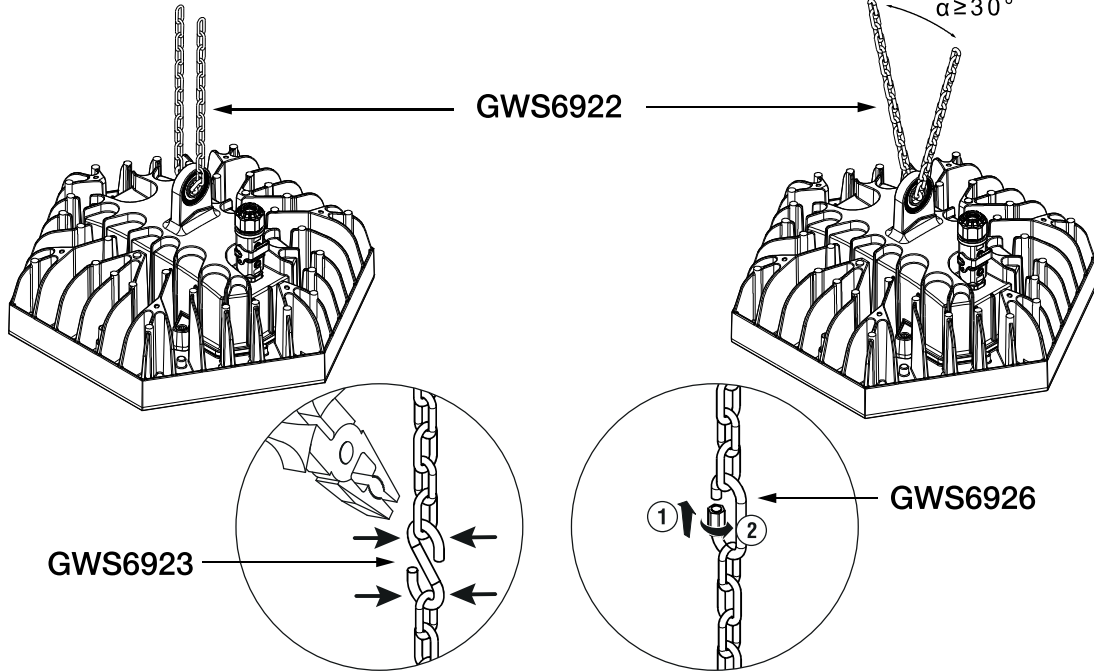
L	=	L
N	=	N
⊕	=	⊕
①	=	DALI
②	=	



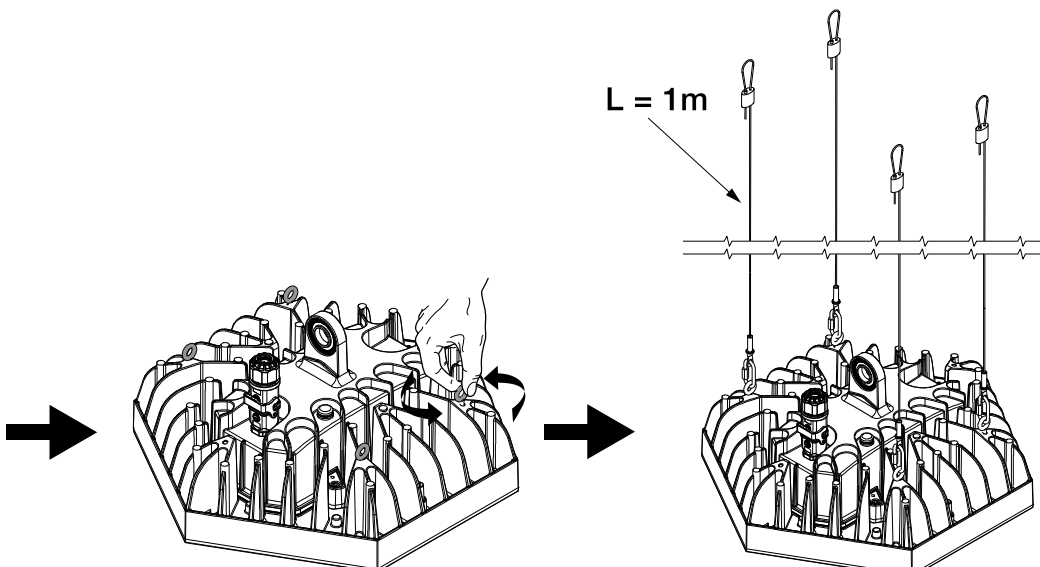
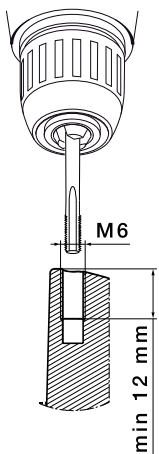
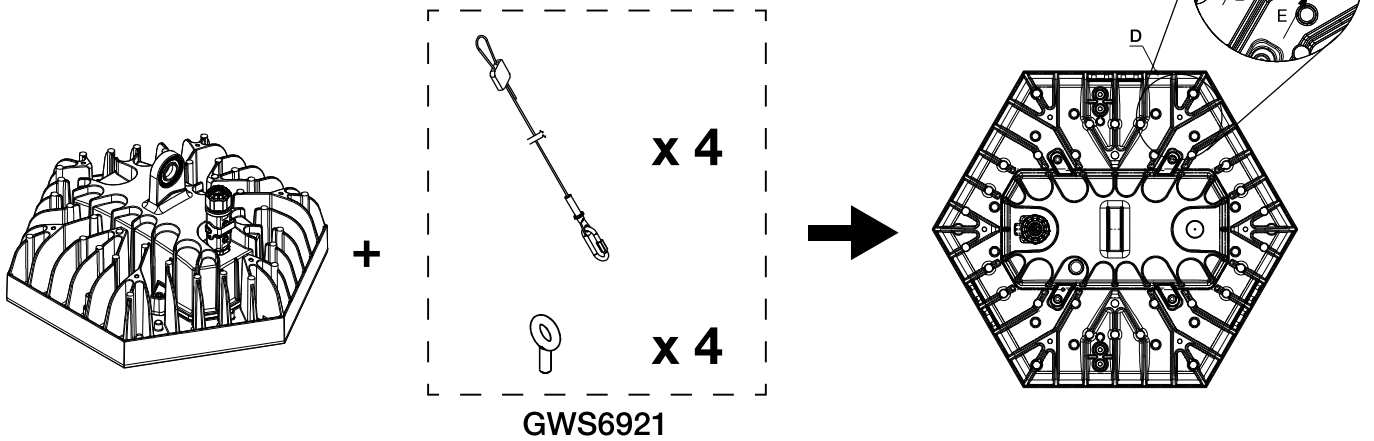


30° - 60° - 90°

ELLIPTICAL

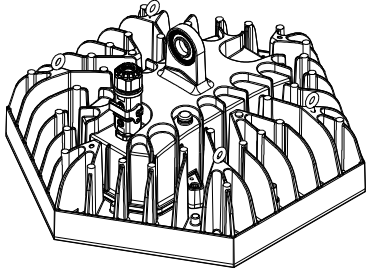


30° - 60° - 90°

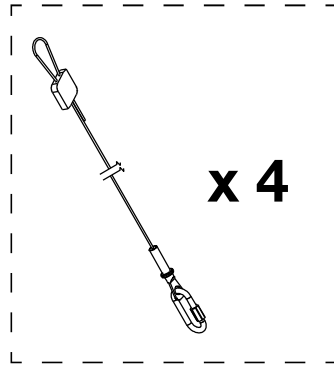




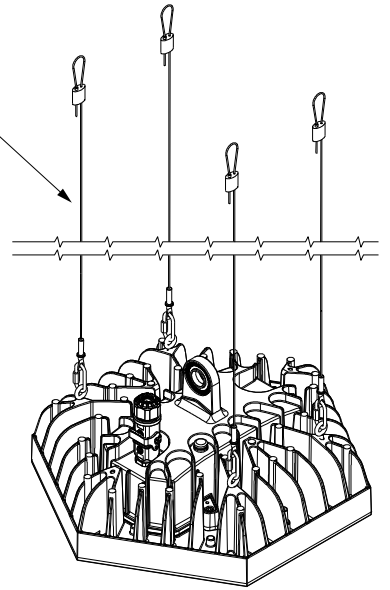
## ELLIPTICAL



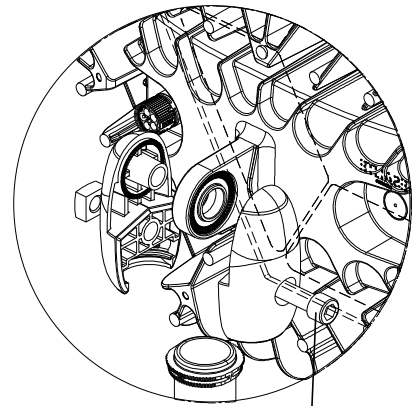
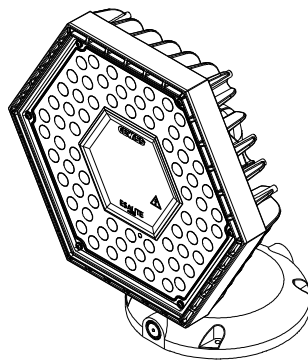
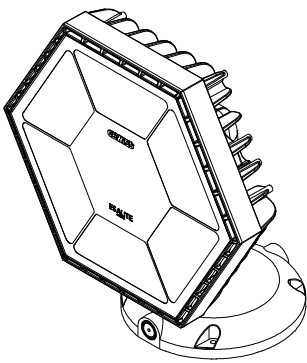
+



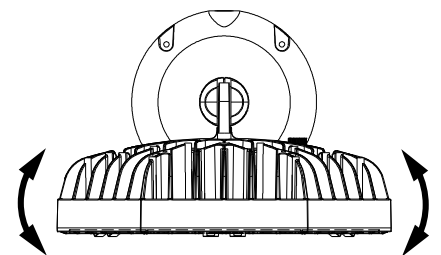
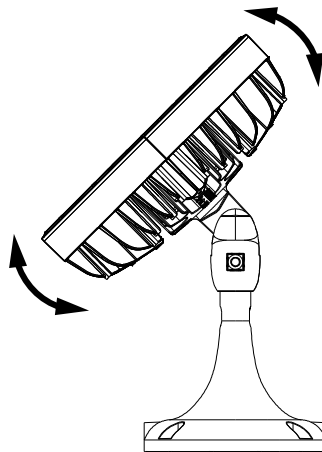
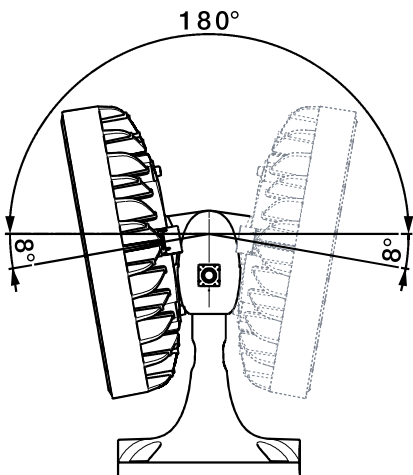
L = 1m

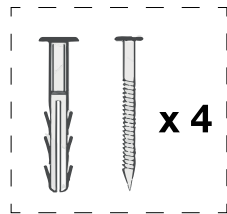
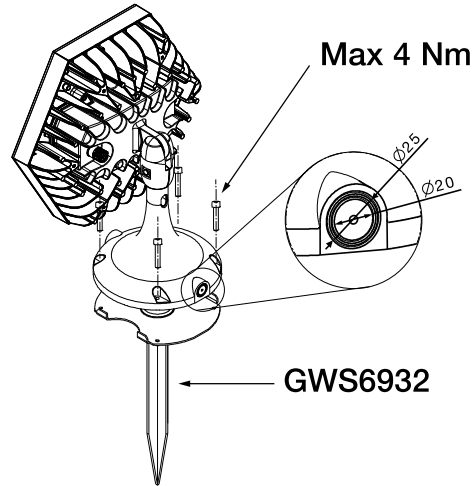
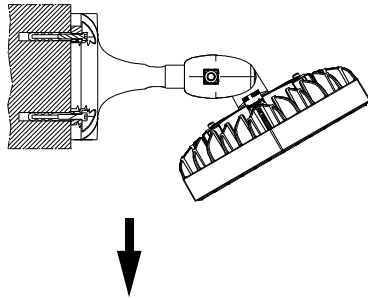
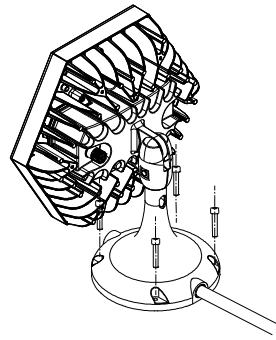
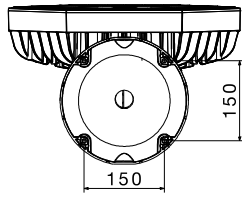


## 30° - 60° - 90° - ELLIPTICAL

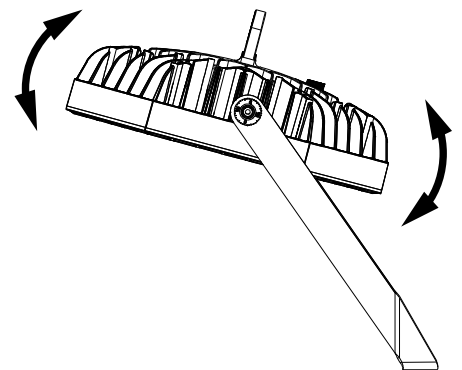
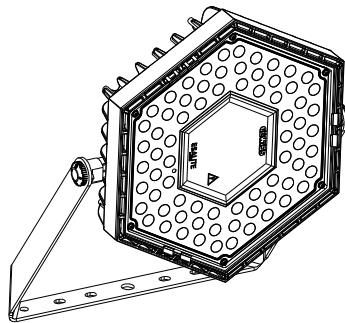
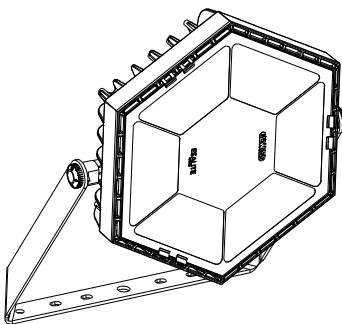


Max 25 Nm

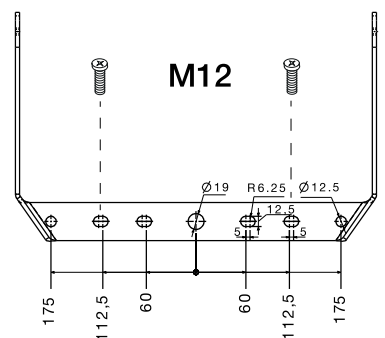
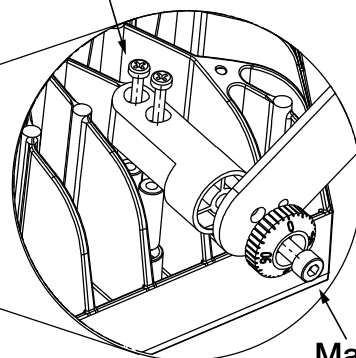
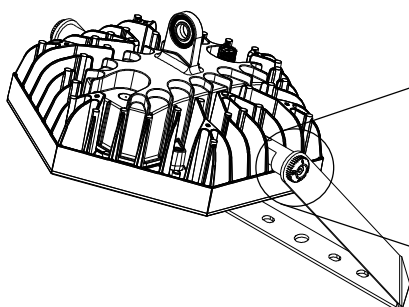




### 30° - 60° - 90° - ELLIPTICAL



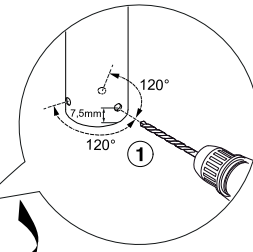
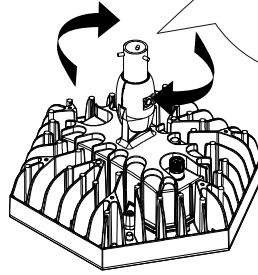
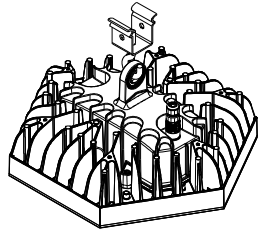
Max 8 Nm



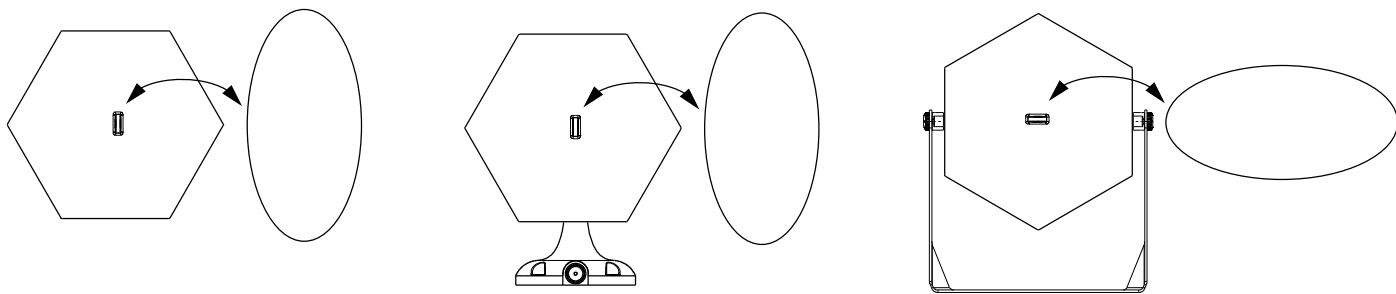




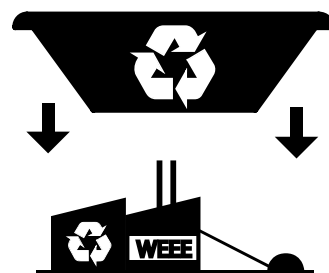
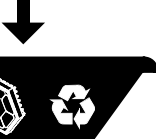
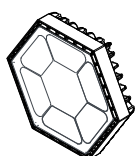
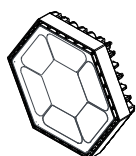
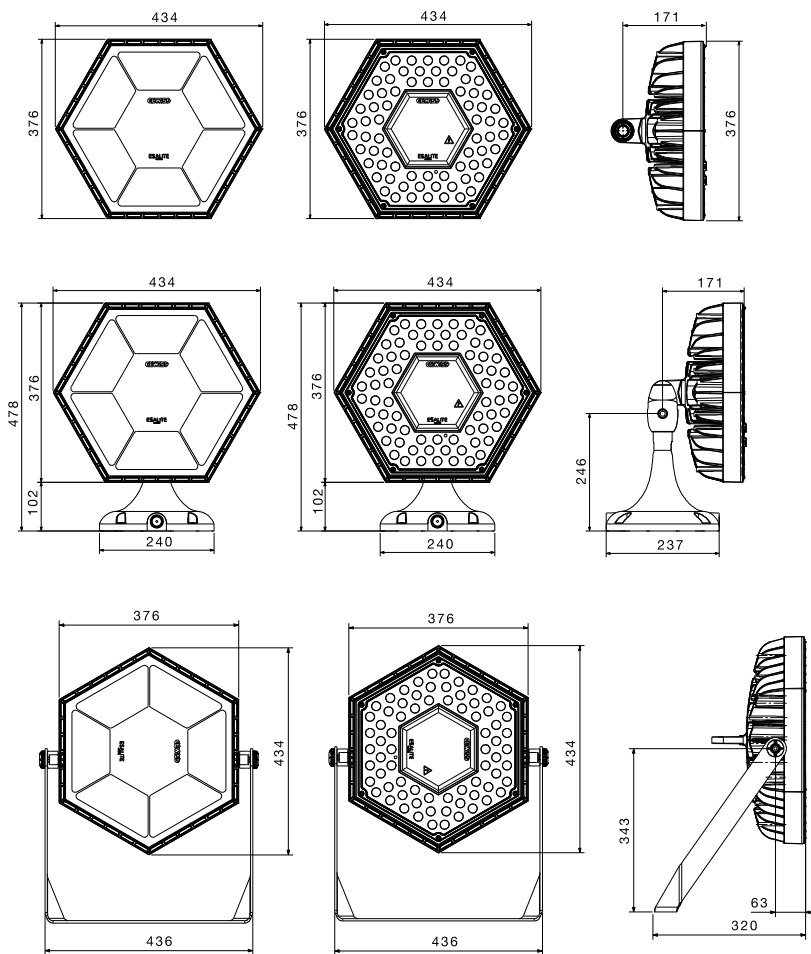
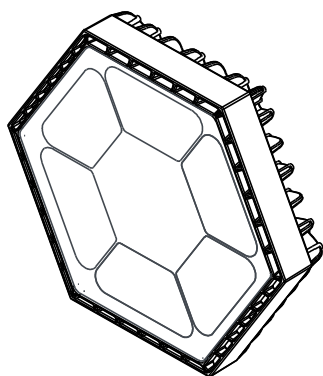
# ON REQUEST



		OK	
		OK	



### ELLIPTICAL



Punto di contatto indicato in adempimento ai fini delle direttive e regolamenti UE applicabili:

Contact details according to the relevant European Directives and Regulations:

GEWISS S.p.A. Via A.Volta, 1 IT-24069 Cenate Sotto (BG) Italy tel: +39 035 946 111 E-mail: qualitymarks@gewiss.com



+39 035 946 111  
8.30 - 12.30 / 14.00 - 18.00  
lunedì - venerdì - monday - friday



+39 035 946 260



sat@gewiss.com  
www.gewiss.com