
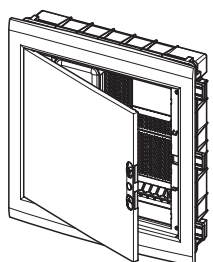


GW 40 390 F

CEI 306-2
EN 60670-1
EN 60670-24
CEI 23-50
IEC 60884-1

EN 60529	IP40
EN 62262	IK08
EN 60695-10-2	70°C
EN 69695-2-11	GWT 650°C - GWT 850°C


Pde	50W
Un	250V
Ui	750V
EN50267-2-2	Halogen free
	$-15^{\circ}\text{C} \leq T \leq +60^{\circ}\text{C}$




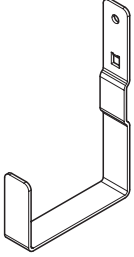
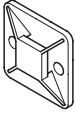
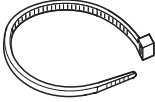

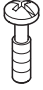
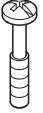
GW 40 390 C


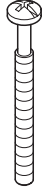
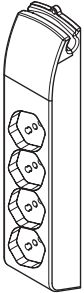




CEI 306-2
EN 60670-1
EN 60670-24
CEI 23-50
IEC 60884-1




EN 60529	IP40
EN 62262	IK08
EN 60695-10-2	70°C
EN 69695-2-11	GWT 650°C - GWT 850°C

Pde	40W
Un	250V
Ui	750V
EN50267-2-2	Halogen free
	$-15^{\circ}\text{C} \leq T \leq +60^{\circ}\text{C}$



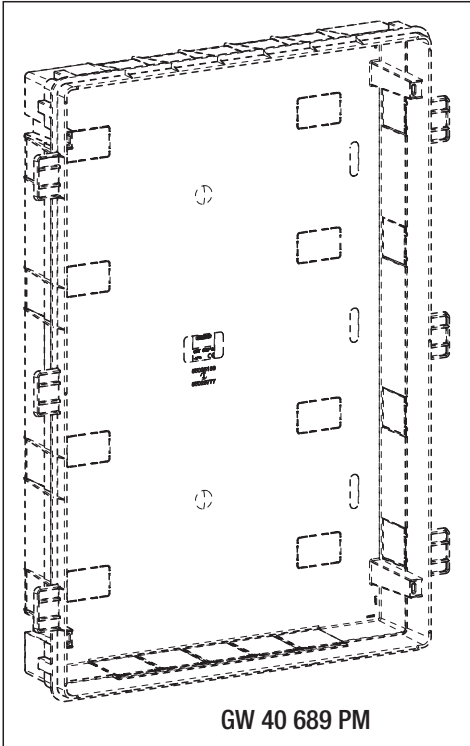
	4x10					3,5x16	3,5x22
							
	A	B	C	D	E	F	G
GW 40 390 F	24	6	6	6	3	4	
GW 40 390 C	16	4	4	4	2		4

		4x45					
							
	H	I	L	M	N	O	P
GW 40 390 F	8	4	1	6	6	1	1
GW 40 390 C	8	4		5			1

		
GW 38 311	GW 38 338 GW 38 341 - 15m GW 38 342 - 30m GW 38 343 - 50m GW 38 344 - 65m	GW 38 098

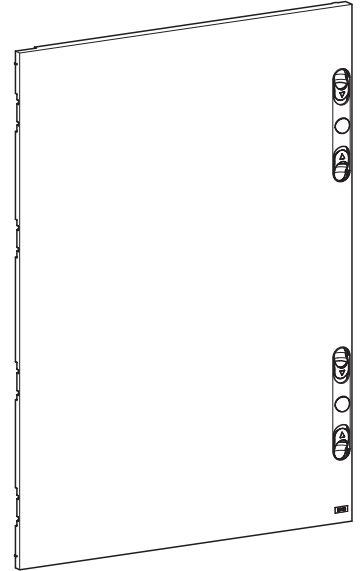
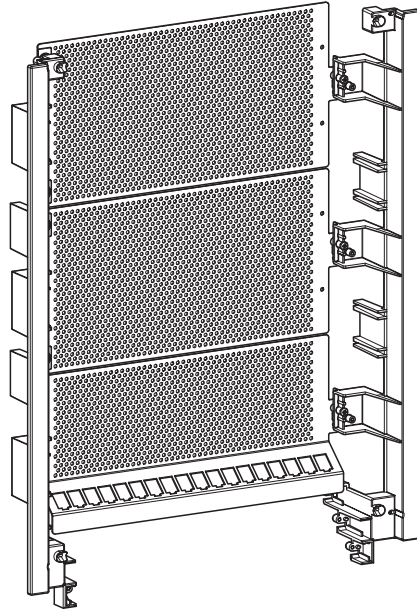


GW 40 390 F

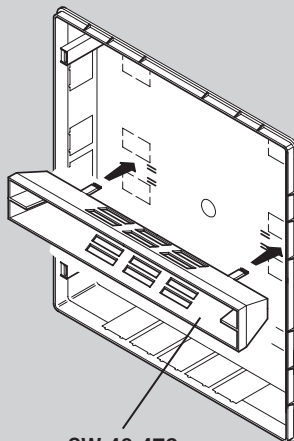
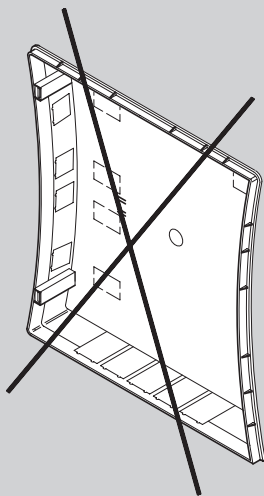


GW 40 689 PM

GWT 850°C



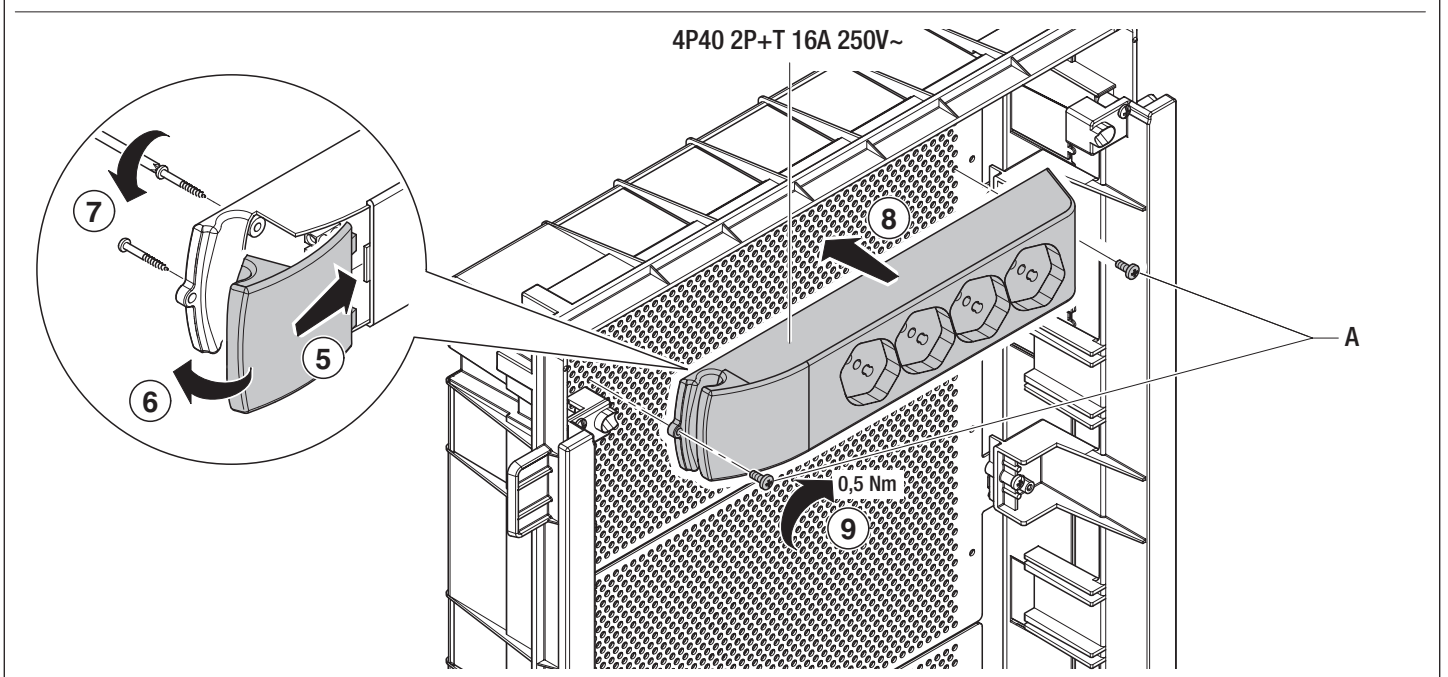
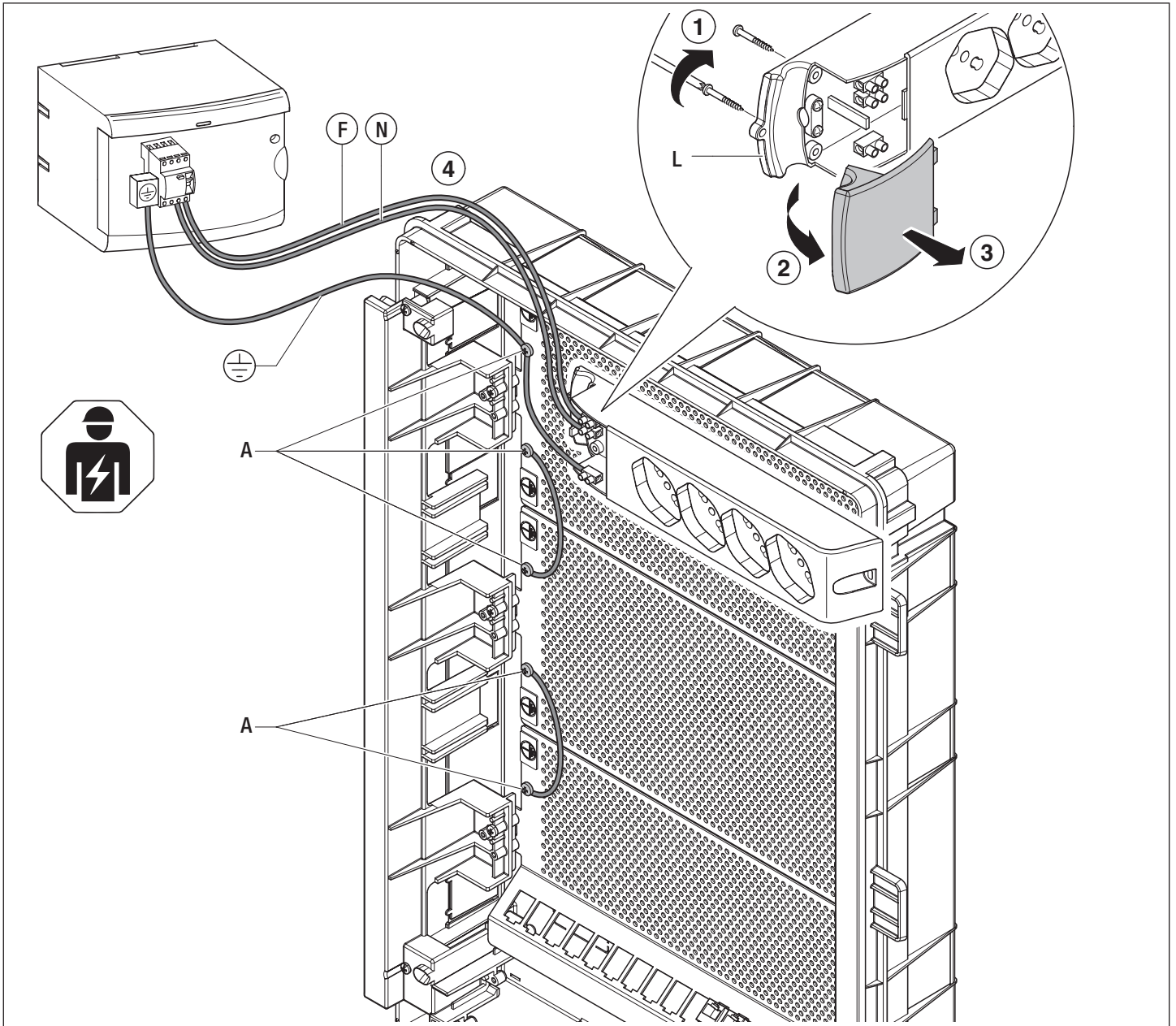
GWT 650°C

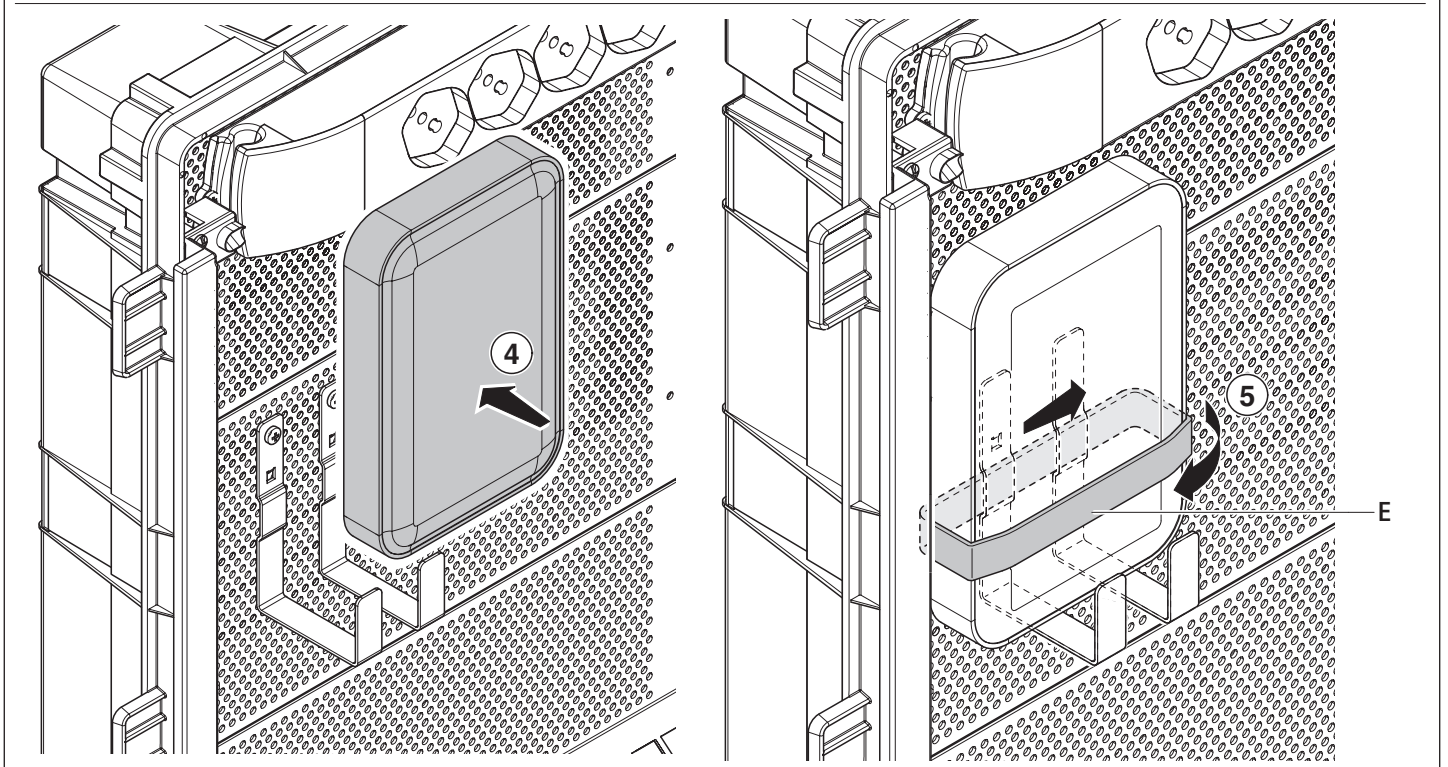
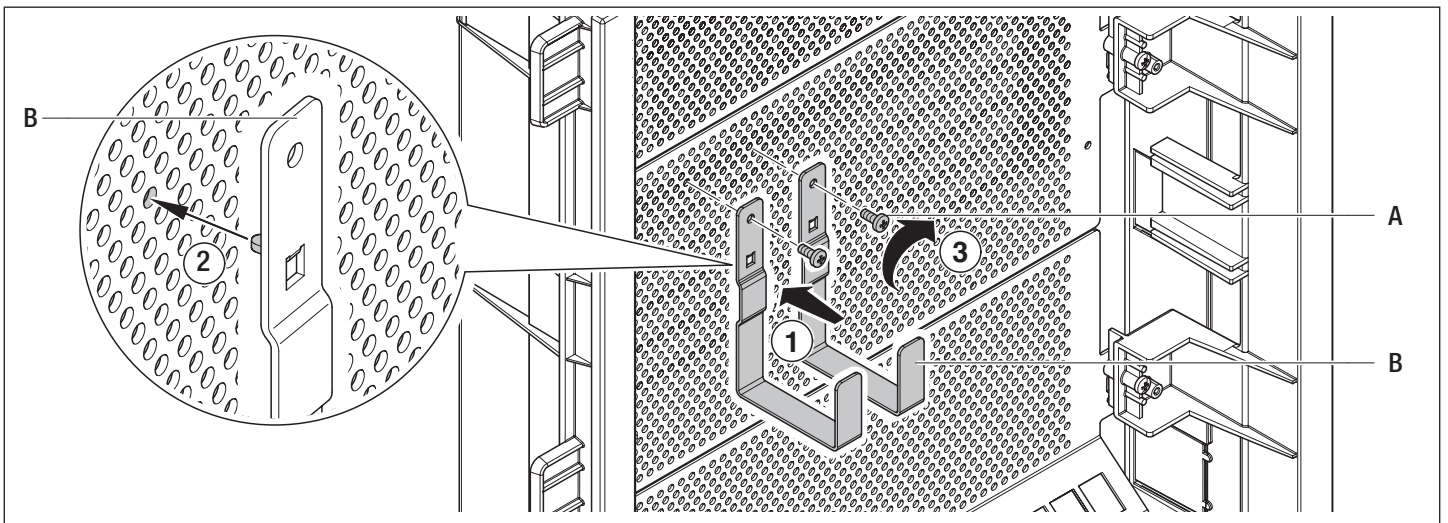
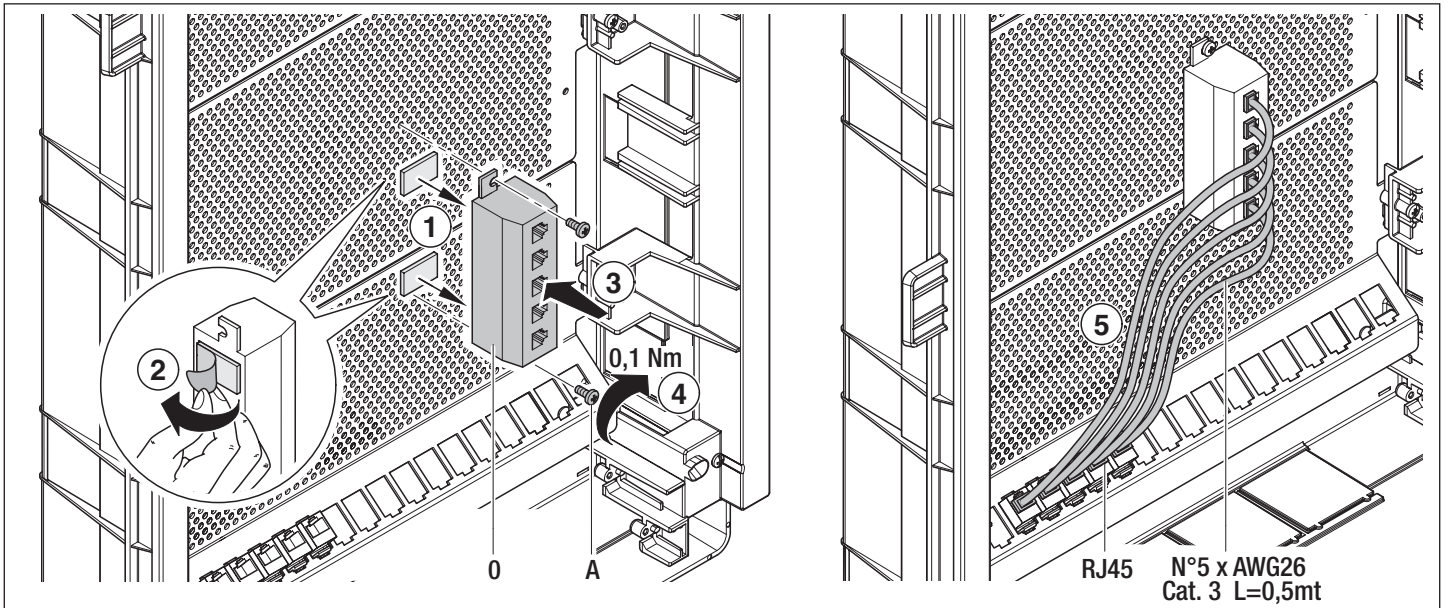


GW 40 479



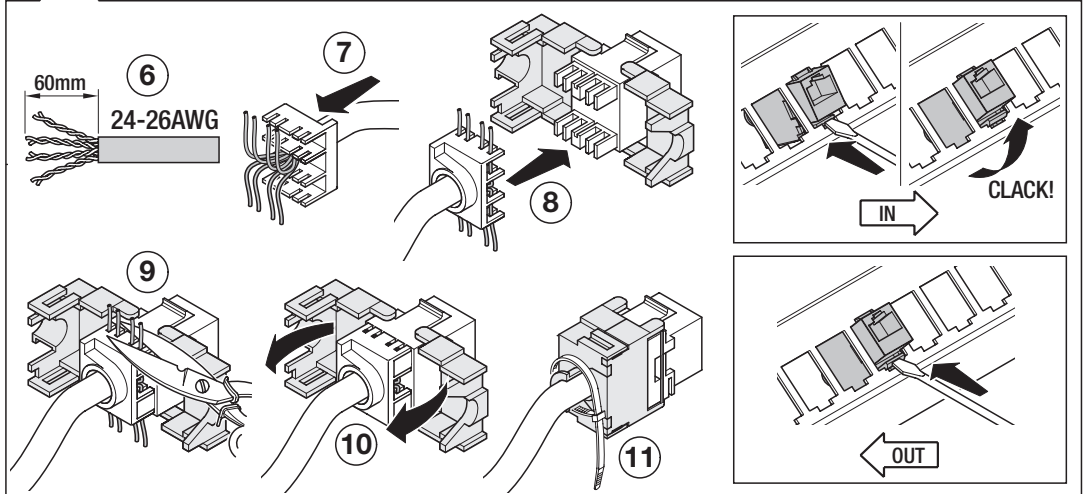
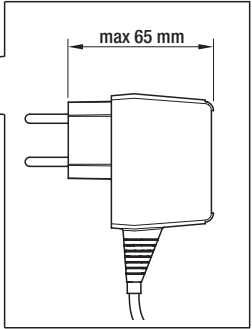
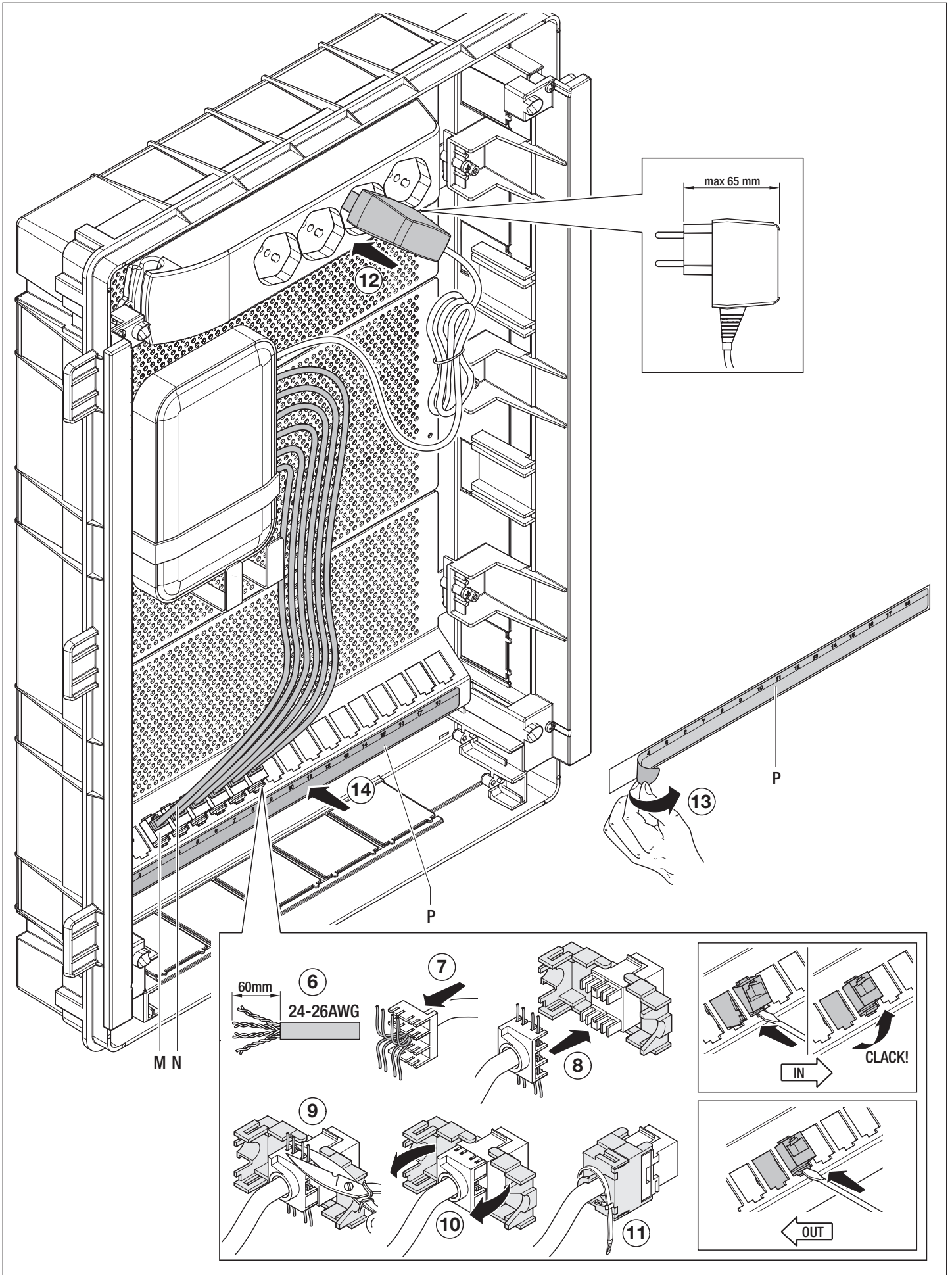
GW 40 390 F





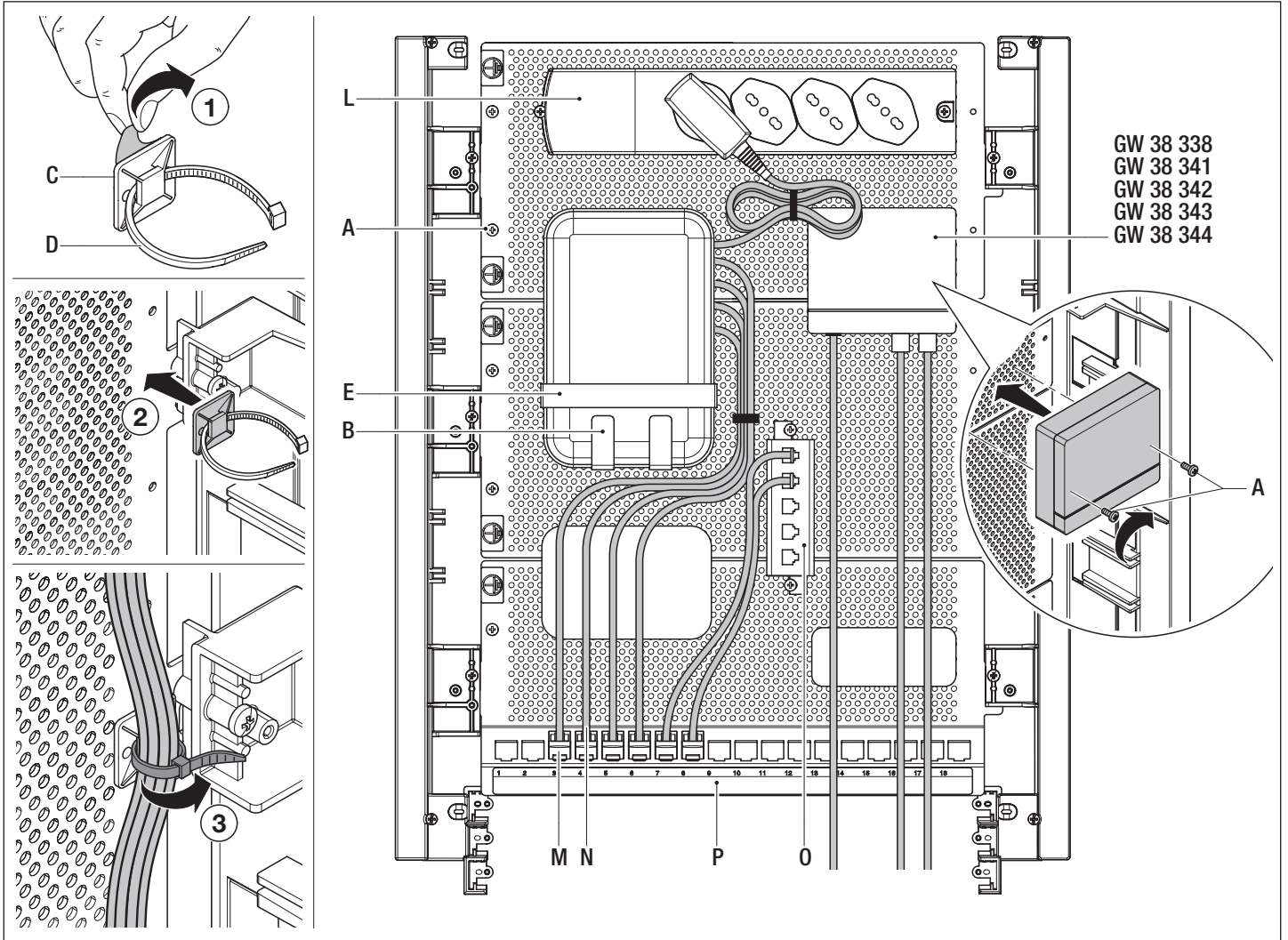


GW 40 390 F

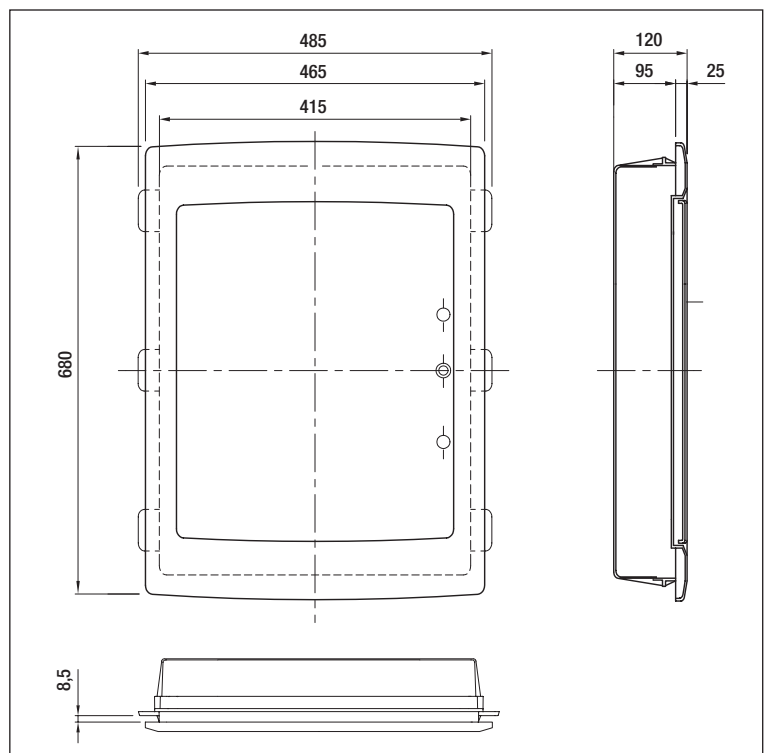
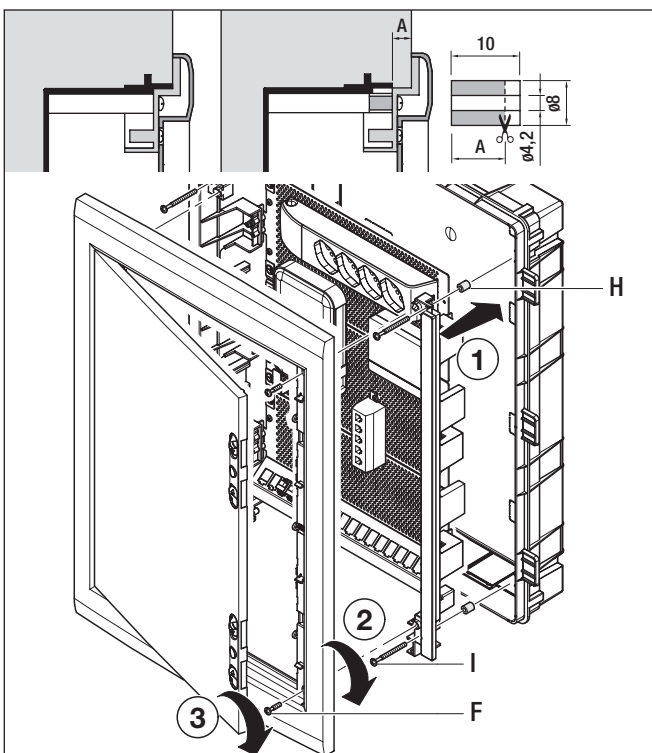




GW 40 390 F

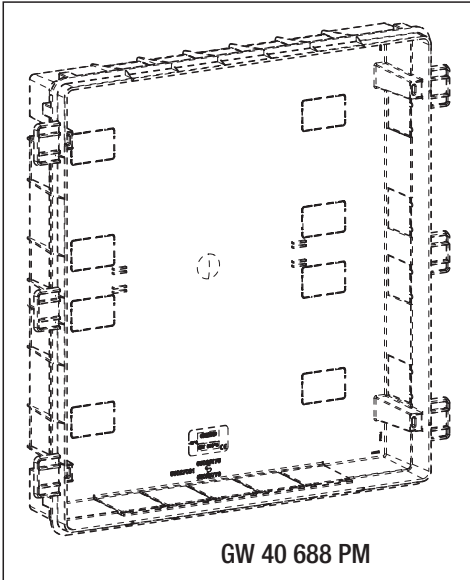


GW 40 390 F



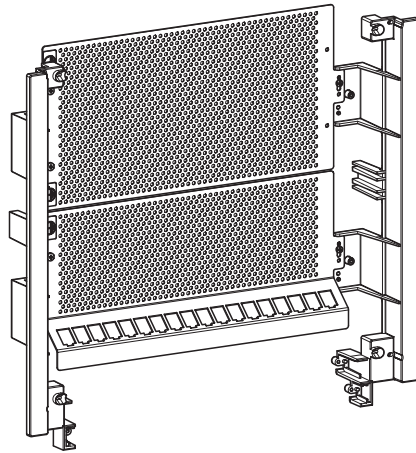


GW 40 390 C

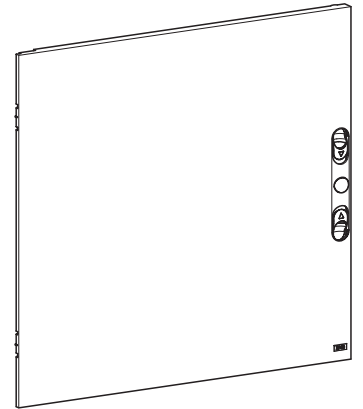


GW 40 688 PM

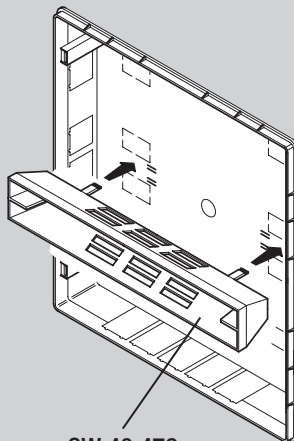
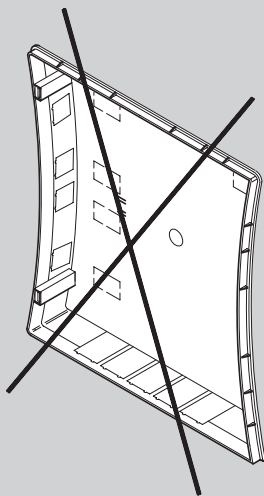
GWT 850°C

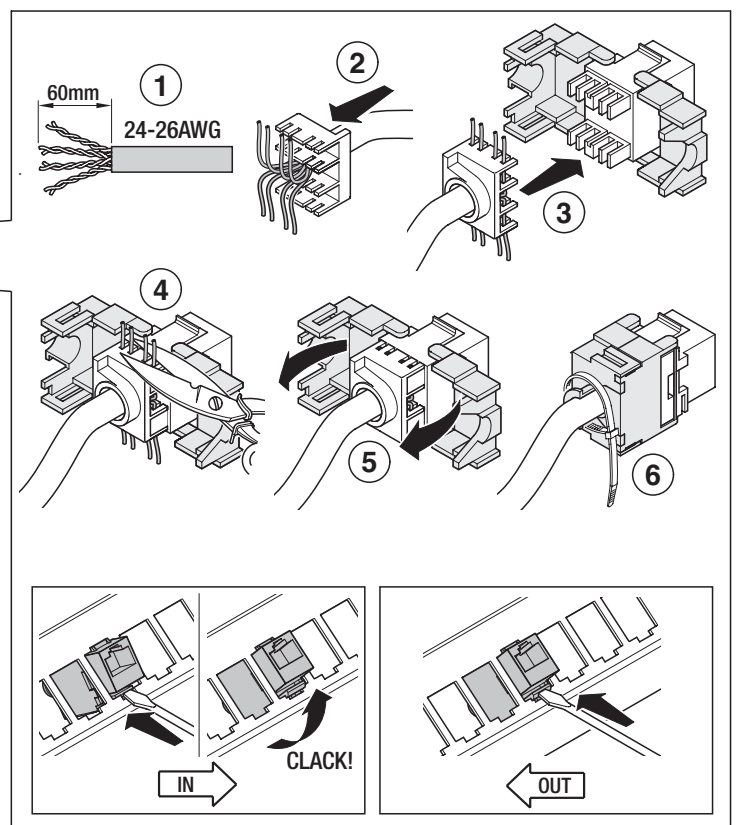
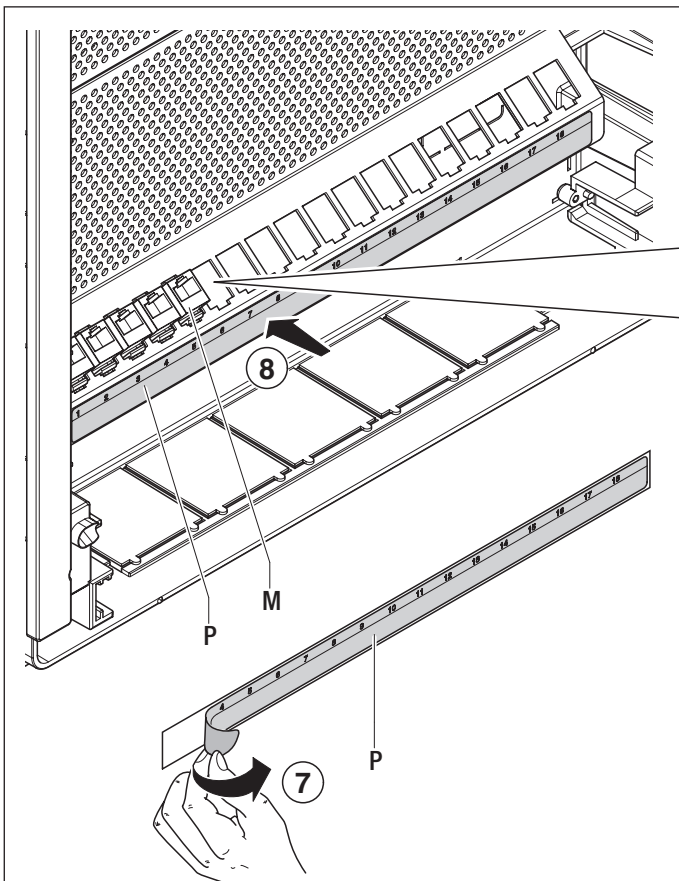
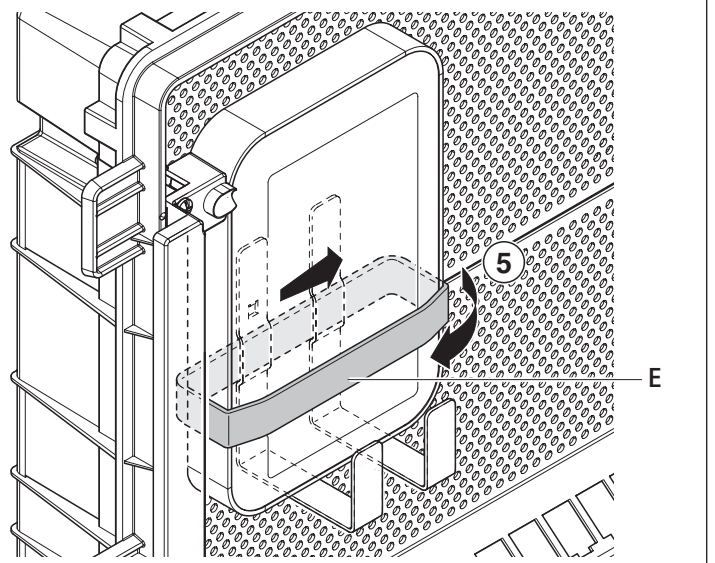
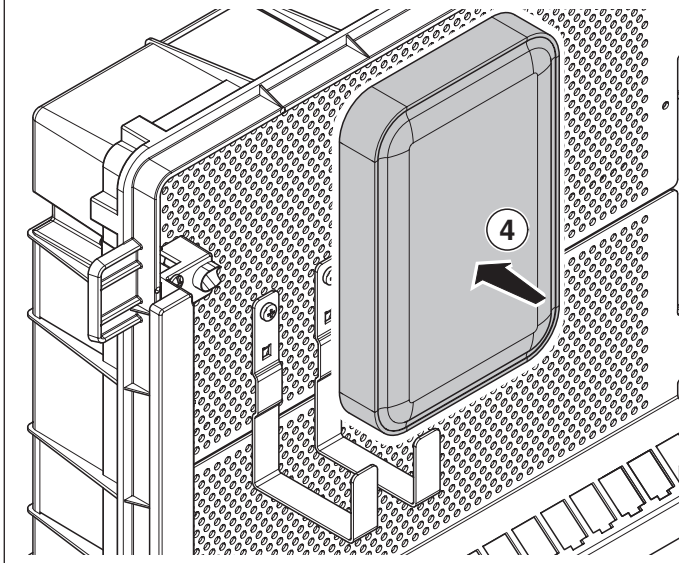
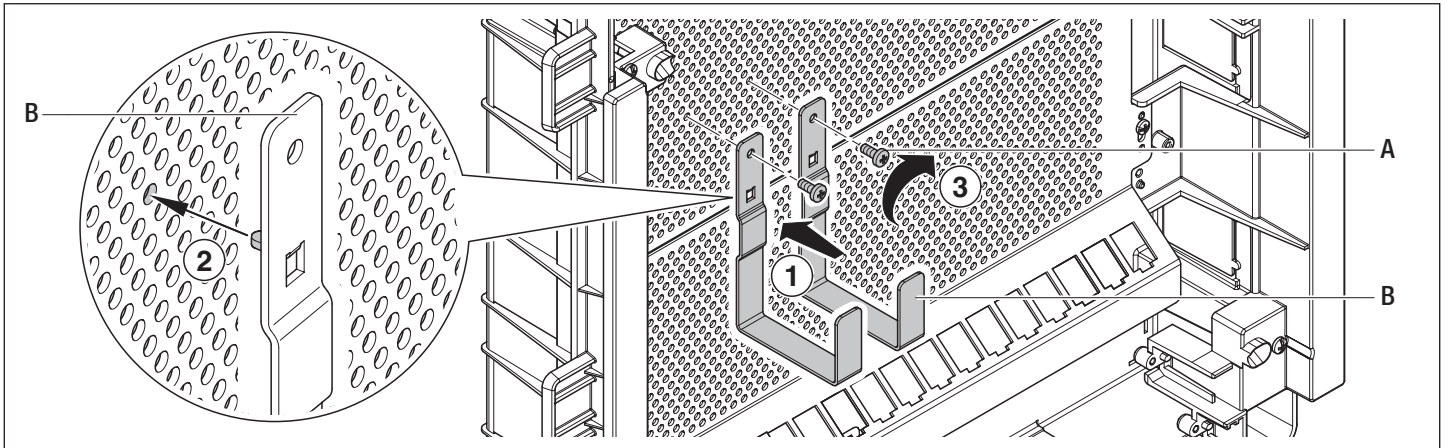


GW 40 479



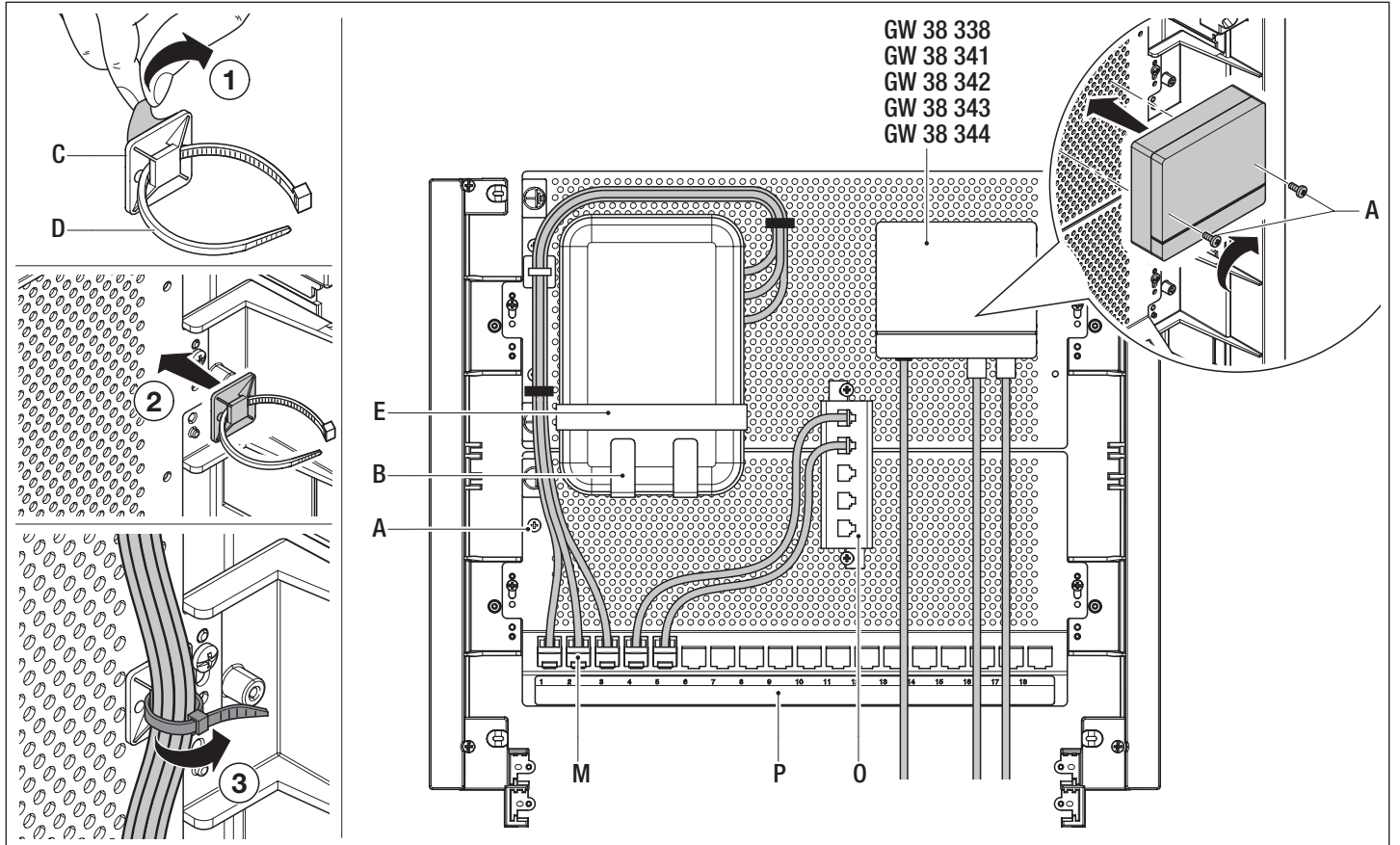
GWT 650°C



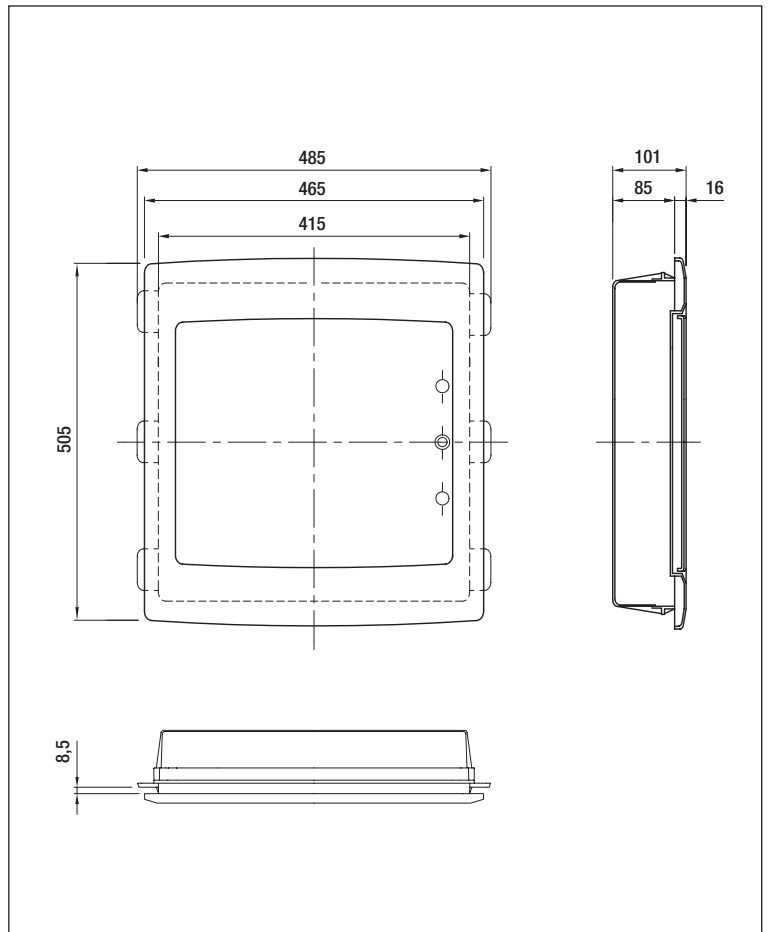
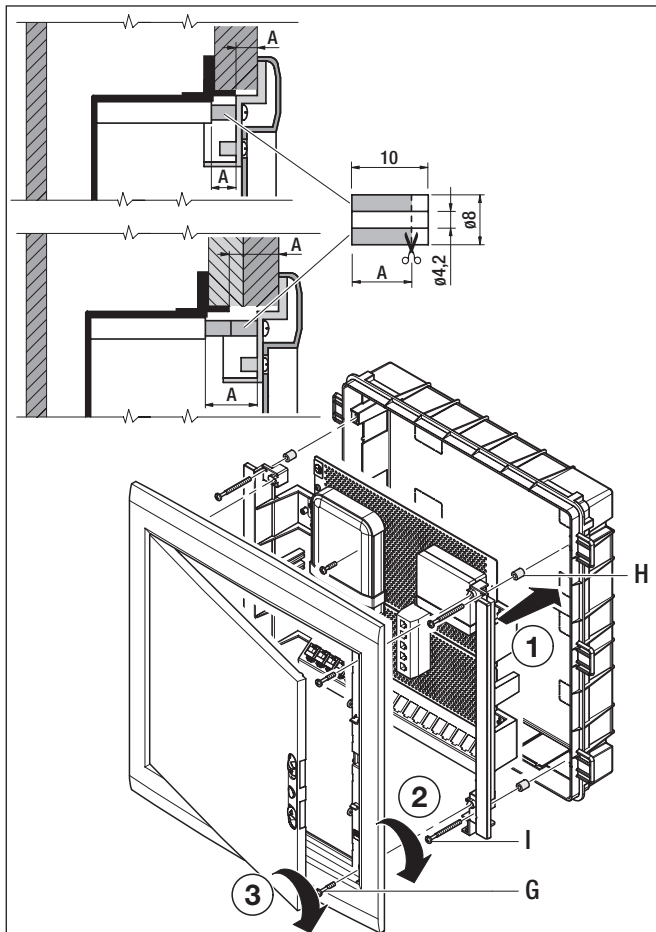




GW 40 390 C



GW 40 390 C



Punto di contatto indicato in adempimento ai fini delle direttive e regolamenti UE applicabili:

Contact details according to the relevant European Directives and Regulations:

GEWISS S.p.A. Via A.Volta, 1 IT-24069 Cenate Sotto (BG) Italy tel: +39 035 946 111 E-mail: qualitymarks@gewiss.com



+39 035 946 111

8.30 - 12.30 / 14.00 - 18.00
lunedì - venerdì - monday - friday



+39 035 946 260



sat@gewiss.com
www.gewiss.com