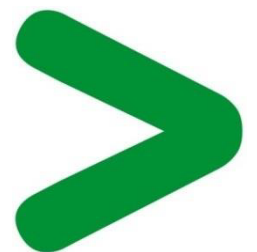
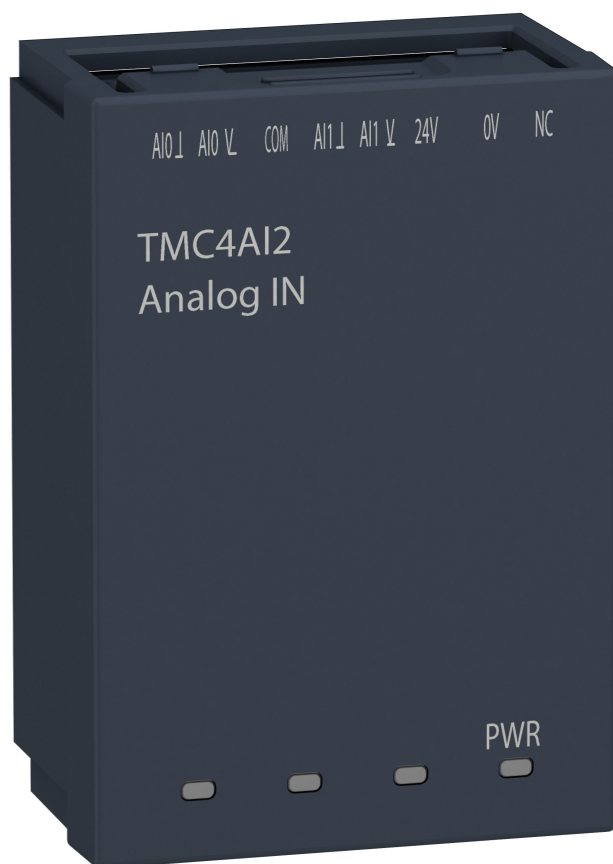


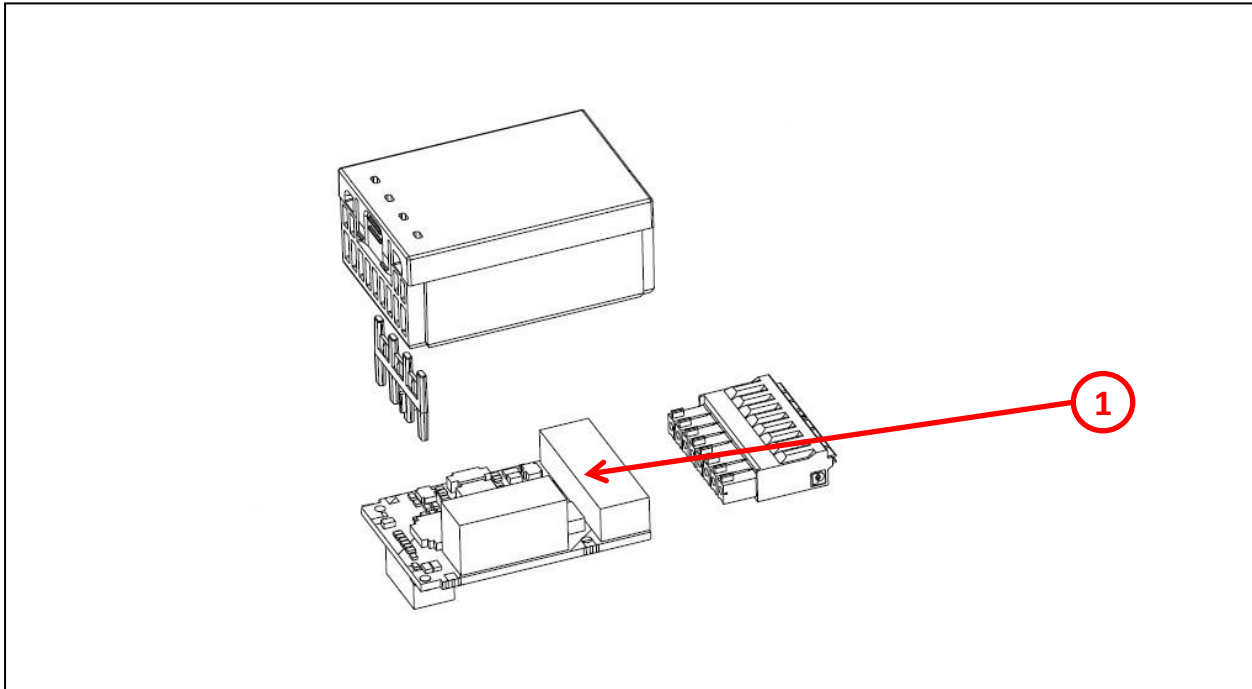
Product End of Life Instructions

TMC Cartridge





End of Life Instructions



Recommendation	Number on drawing	Component / Material	Weight (in g)	Comment
To be depolluted		Electronic Board (Power) > 10cm ²	13,8	



Product description

Manufacturer identification	Schneider Electric Industries SAS
Brand name	Schneider Electric
Product reference	TMC4AI2
Additional similar product references	TMC4AI2 TMC4AI2 TMC4AQ2 TMC4TI2 TMC4PACK01 TMC4HOIS01 TMC2AI2 TMC2SL1 TMC2AQ2C TMC2TI2 TMC2AQ2V TMC2CONV01 TMC2HOIS01 TMC2PACK01
Total representative product mass	26.5 g
Representative product dimensions	50,70mm x 35mm x 21,10mm
Date of information release	08/2018



Additional information

Legal information	This product family is in the scope of European Union directive 2012/19/EU on Waste Electrical and Electronic Equipment (WEEE). The product family must be disposed according to the legislation of the country. This document is intended for use by end of life recyclers or treatment facilities. It provides the basic information to assure an appropriate end of life treatment for the components and materials of the product.
Recyclability potential	10% Based on “ECO'DEEE recyclability and recoverability calculation method” (version V1, 20 Sep. 2008 presented to the French Agency for Environment and Energy Management: ADEME).

Schneider Electric Industries SAS

Country Customer Care Center
<http://www.schneider-electric.com/contact>

35, rue Joseph Monier
CS 30323
F- 92506 Rueil Malmaison Cedex
RCS Nanterre 954 503 439
Capital social 896 313 776 €

www.schneider-electric.com

ENVEOL11403017EN_V3

Published by Schneider Electric

© 2018 - Schneider Electric – All rights reserved

08/2018