

Safety Information

Electrical equipment should be installed, operated, serviced, and maintained only by qualified personnel. No responsibility is assumed by Schneider Electric for any consequences arising out of the use of this material.



Esmi Impresia 2 Inputs/2 Outputs Module

Esmi Impresia 2 Inputs/2 Outputs Module (FFS06741007) is an addressable input-output module, designed for installing in addressable fire alarm systems with Esmi ELC loop controller supporting Schneider Electric communication protocol. The module monitors two analogue input signals and controls two relay outputs. The module is mounted in a separate plastic box suitable for wall mounting with IP55 protection and possible for outdoor installations. The address setting is done by the panel, QR code or handheld addressing device. The address range is 1-250.

For more technical information visit www.se.com.

⚠ DANGER

HAZARD OF ELECTRIC SHOCK
 Ensure that the correct terminals are used for the loop and switched voltage connections. Do not exceed the relay ratings. High voltages may be present on the relay terminals. Always turn off all power supplying this device before working inside the device enclosure.
Failure to follow these instructions will result in death or serious injury.

Installation

Note: Collect the QR code stickers from the devices if QR codes are used for addressing of the devices.

1. Follow the applicable local and national installation codes and regulations. Choose the proper place for installation of the module.
2. Turn power off the loop circuit before installing the module.
3. Set the module address using programmer or directly from addressable fire panel.
4. Run the cables to the module loop and input-output terminals.
5. Connect the cables to the loop and input-output terminals of the module according the shown Connection diagrams.
6. Test the module for proper operation and LED indication.
7. Close the cover of the plastic box.

Technical Specifications

Operating Voltage	16-32V
Consumption stand-by mode	235 µA @27VDC
Nom. Current consumption	260 µA @27VDC
Outputs, electrical characteristics. (max)	DC 30V/1A; AC 125V/0.5
Current consumption with 1 LED on	3.5mA
Current consumption with 2 LEDs on	7mA
Installation wires	0.4mm ² ÷ 0.2mm ²
Max. cable length for input circuits	≤30m
Relative Humidity	≤93% @+40°C
Material (plastic)	PS
Color	Grey
EOL	56k
Supported communication protocol	Esmi ELC

Isolator Module Technical Specifications

Maximum line voltage (<i>V_{max}</i>)	32V
Nominal line voltage (<i>V_{nom}</i>)	28V
Minimum line voltage (<i>V_{min}</i>)	16V
Maximum voltage at which the device isolates (<i>V_{so max}</i>)*	7.5V
Minimum voltage at which the device isolates (<i>V_{so min}</i>)*	5.9V
Maximum voltage at which the device reconnects (<i>V_{sc max}</i>)**	6.7V
Minimum voltage at which the device reconnects (<i>V_{sc min}</i>)**	5V
Maximum rated continuous current with the switch closed (<i>I_{c max}</i>)	0.7A
Maximum rated switching current (e.g. under short circuit) (<i>I_{s max}</i>)	1.8A
Maximum leakage current with the switch open (isolated state) (<i>I_{l max}</i>)	16mA
Maximum series impedance with the switch closed (<i>Z_{c max}</i>)	0.12Ω@28VDC and 0.15Ω@16VDC

* Note: Switches from closed to open
 ** Note: Switches from open to closed

Dimensions

Installation

IP55

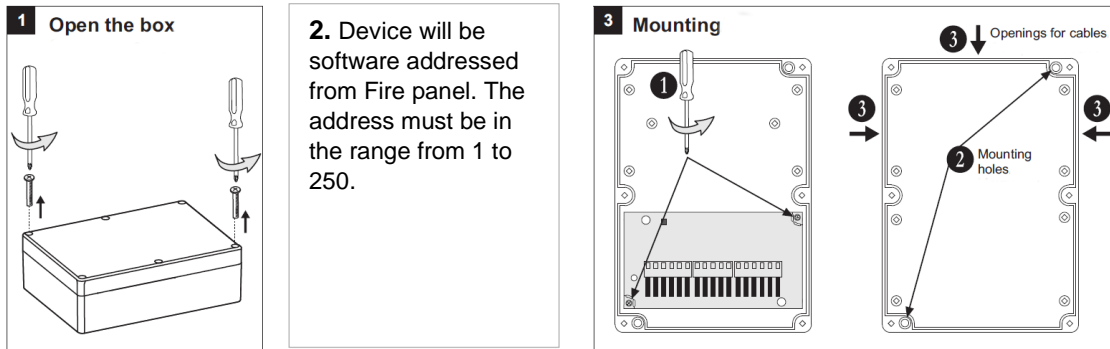
-10°C ÷ +60°C

~320g

Indoor use

Outdoor use

21
 1293
 DoP No: DP20023
 Made in Bulgaria
 EN 54-18:2005
 EN 54-18:2005/AC:2007
 EN 54-17:2005
 EN 54-17:2005/AC:2007



2. Device will be software addressed from Fire panel. The address must be in the range from 1 to 250.

LED Indication

1. OUTPUTS

Status		Red LED
OUT 1	OUT 2	LED
OFF	OFF	☐
OFF	ON	■
ON	OFF	■
ON	ON	■

2. INPUTS

Status		Red LED
IN 1	IN 2	LED
Normal	Normal	☐
Normal	ON	■
ON	Normal	■
ON	ON	■

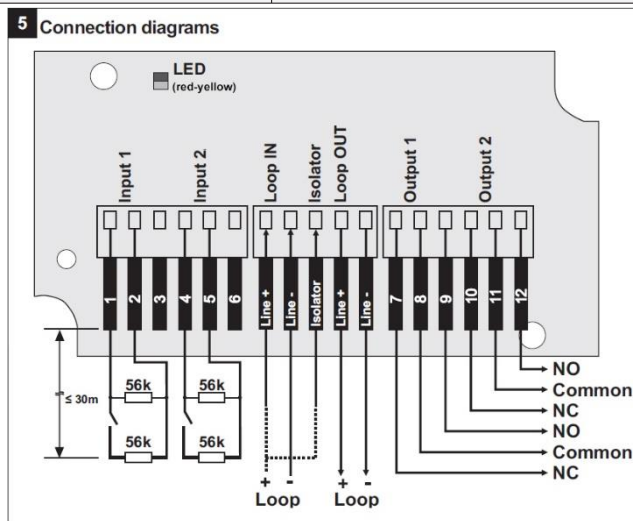
Status		Yellow LED
IN 1	IN 2	LED
Normal/ON	Normal/ON	☐
Short/Open	Normal/ON	■
Normal/ON	Short/Open	■
Short/Open	Short/Open	■

4 Installation

INPUTS Status

Status	Description	R*	I**
SHORT	Short circuit	<13k	>54µA
ON	Activation	13k - 36k	38µA - 54µA
NORMAL	Stand-by mode	36k - 90k	23µA - 38µA
OPEN	Open circuit	>90k	<23µA

*R - resistance between the input and GND
**I - current at the input



When you use the integrated short circuit isolation module connect one of the “+Loop” leads to the “Isolator” terminal instead of the “Line+” terminal.